

N 70, Built-in fridge-freezer with freezer at bottom, 177.2 x 55.8 cm, soft close flat hinge  
K17863D30G



A++



- ✓ Fresh Safe 2 <0°C> – Ideal storage for fruit and vegetables, fish and meat.
- ✓ No Frost – No more defrosting your freezer.
- ✓ Easy Access Shelf – Slides out to give you better access to fridge contents.
- ✓ VarioShelf: The glass shelf can be divided and one half pushed beneath the other, for flexible interior configurations.
- ✓ Adjustable Glass Shelves – Height adjustable shelves create the space you need for inspiring dishes in your fridge

#### Features

##### Technical Data

Construction type : Built-in  
 Door panel options : Not possible  
 Width of the appliance : 558 mm  
 Depth of the product : 545 mm  
 Required niche size for installation (HxWxD) : 1775.0 x 560 x 550 mm  
 Net weight : 68.507 kg  
 Connection rating : 90 W  
 Fuse protection : 13 A  
 Door hinge : Right reversible  
 Voltage : 220-240 V  
 Frequency : 50 Hz  
 Approval certificates : CE, VDE  
 Length of electrical supply cord : 230 cm  
 Storage Period in Event of Power Failure (h) : 13 h  
 Number of compressors : 1  
 Number of independent cooling systems : 2  
 Interior ventilator : No  
 Reversible Door Hinge : Yes  
 Number of Adjustable Shelves in fridge compartment (Stck) : 4  
 Shelves for Bottles : No  
 EAN code : 4242004162391  
 Brand : Neff  
 Product name / Commercial code : K17863D30G  
 Energy consumption annual - NEW (2010/30/EC) : 221.00 kWh/annum  
 Refrigerator Net capacity - NEW (2010/30/EC) : 188 l  
 Freezer Net capacity - NEW (2010/30/EC) : 67 l  
 Frost free system : Freezer  
 Freezing capacity) - NEW (2010/30/EC) : 8 kg/24h  
 Climate class : SN-ST  
 Noise level : 39 dB(A) re 1 pW  
 Installation type : Full-integrated

#### Optional accessories

Z10020 Bottle Rack



4 242004 162391

*N 70, Built-in fridge-freezer with freezer at bottom,  
177.2 x 55.8 cm, soft close flat hinge  
KI7863D30G*

## Features

### Performance and Consumption

- Energy Efficiency Class: A++
- Energy Efficiency Class: A++ kWh/yr: 0.605 kWh
- Total net capacity: 255 l litres
- Net fridge capacity: 188 litres
- Net freezer capacity: 67 litres
- Noise level dB(A) re 1 pW: 39

### Design features

- Automatic defrost freezer
- Right hinged door, reversible
- Electronic controls for fridge and freezer
- Removable magnetic door seals - easy to clean

### Food freshness system

- FreshSense - constant temperature by intelligent sensor technology - Constant temperature control by intelligent sensor technology
- Two separate cooling circuits allow independent temperature control and prevents the transference of humidity between the fridge and freezer cavity

### Key features - Fridge section

- Automatic defrost fridge
- Bright interior LED fridge light
- Vario shelf - useful storage when required
- Easy access shelf - easy access and everything in sight
- 5 safety glass shelves in fridge compartment of which 4 are height adjustable
- 1 FreshSafe 2 drawer; High humidity retains nutrients up to twice as long
- Super Cooling: automatic deactivation

### Key features - Freezer section

- noFrost freezer
- 4 star freezer rating
- 3 freezer drawers
- Freezing capacity in 24 hours: 8 kg
- Maximum freezer storage time in power failure: 13 hours

### Functions

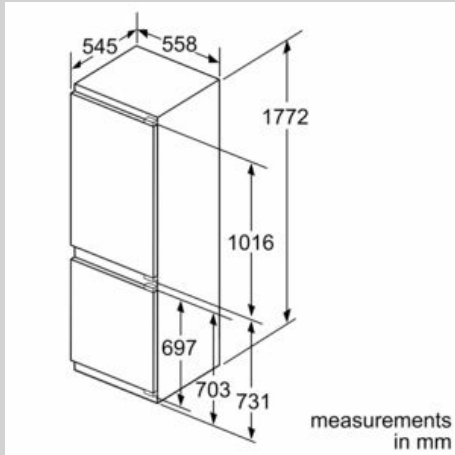
- Freezer malfunction warning signal: optical and acoustical
- SuperFreeze function with automatic deactivation
- Acoustic door open warning indicator

### Dimension and installation

- Connection value 90 W
- Dimensions: 177.2 cm H x 55.8 cm W x 54.5 cm D
- Niche Dimensions: 177.5 cm H x 56 cm W x 55 cm D
- Climate class SN-ST (suitable for ambient temperatures between 10 to 38°C)

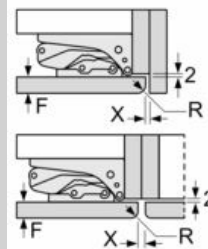
N 70, Built-in fridge-freezer with freezer at bottom,  
 177.2 x 55.8 cm, soft close flat hinge  
 KI7863D30G

## Dimensioned drawings



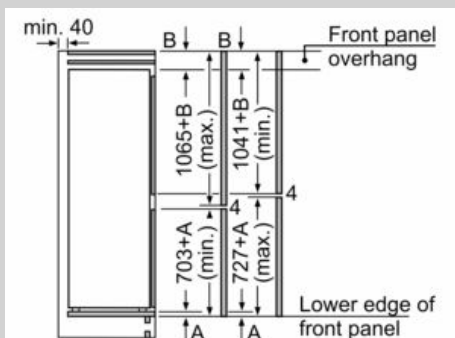
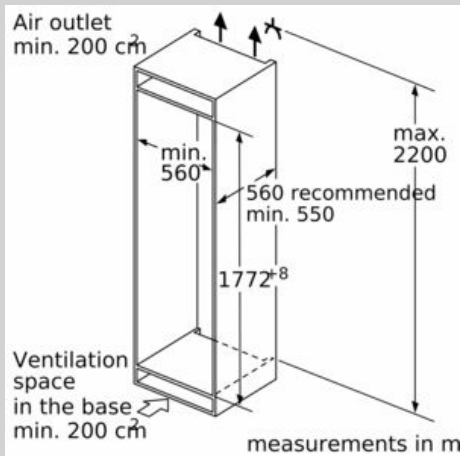
measurements in mm

Recommended gap dimensions for flat hinges



F	R	X
16-19	0-3	2.5
20	0-1	3
	2-3	2.5
21	0-1	3
	2-3	2.5
22	0	4
	1	3.5
	2-3	3

The gap dimensions recommended in the table must be adhered to in order to ensure that appliance doors do not collide with anything when they are opened, and to avoid causing damage to kitchen units.



The specified unit door dimensions are valid for a door gap of 4 mm.

measurements in mm