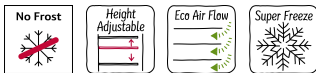


N 50, BUILT-IN FRIDGE-FREEZER WITH FREEZER AT BOTTOM, 177.2 X 54.1 CM, FLAT HINGE K17867FE0



KS6B0RZ0 Bottle Rack  
KS9E0FZ0 Package Neff FlexCooling  
KSGG0MZO Butter box

This No Frost built-in fridge-freezer with Fresh Safe 2 <0°C> keeps food fresh, ensures ideal air circulation in the fridge.

- ✓ Flex Cooling – Handy boxes that flexibly cater to your cooling needs, throughout the fridge.
- ✓ No Frost – No more defrosting your freezer.
- ✓ Adjustable Glass Shelves – Height adjustable shelves create the space you need for inspiring dishes in your fridge
- ✓ Eco Air Flow – Even air circulation for constant temperatures and fast cooling.
- ✓ Super Freeze – Lowers the temperature temporarily to prevent frozen goods from warming up by new arrivals in the freezer

Energy Efficiency Class: .....E  
Average annual energy consumption in kilowatt hour per year (kWh/a): ..... 234 kWh/a  
Sum of volume of frozen compartments: ..... 76 l  
Sum of volume of chill compartments: ..... 184 l  
Airborne acoustical noise emissions : ..... 35 dB(A) re 1pW  
Airborne acoustical noise emission class: ..... B  
Built-in / Free-standing: ..... Built-in  
Door panel options: ..... Possible but accessory  
Height: ..... 1772 mm  
Width of the appliance: ..... 541 mm  
Depth: ..... 548 mm  
Min. required niche size for installation (HxWxD): .. 1775.0 x 560 x 550 mm  
Net weight: ..... 54.8 kg  
Fuse protection: ..... 10 A  
Door hinge: ..... Right reversible  
Voltage: ..... 220-240 V  
Frequency: ..... 50 Hz  
Length electrical supply cord: ..... 230.0 cm  
Number of compressors: ..... 1  
Number of independent cooling systems: ..... 1  
Interior ventilator: ..... No  
Reversible Door Hinge: ..... Yes  
Number of Adjustable Shelves in fridge compartment: ..... 3  
Shelves for Bottles: ..... No  
No Frost free system: ..... Freezer  
Installation typology: ..... Full-integrated



*N 50, BUILT-IN FRIDGE-FREEZER WITH FREEZER  
AT BOTTOM, 177.2 X 54.1 CM, FLAT HINGE  
K17867FE0*

#### Performance and Consumption

- EU19\_EEK\_D: E
- Total Volume : 260 l
- Net Fridge Volume : 184 l
- Net Freezer Volume : 76 l
- Net 4\* compartment volume : 76 l
- Freezing capacity 24h : 4 kg
- Annual Energy Consumption: 234 kWh/a
- Climate Class: SN-ST
- EU19\_Fast freezer facility\_D
- Noise Level : 35 dB , EU19\_Noise emission class\_D: B
- Temperature rise time : EU19\_Temperature rise time\_D: 10 H
- Fixed hinge, softClosing door: No

#### Functions

##### Design features

- 1 FreshSafe drawer with humidity control retains freshness for longer.
- Electronic control (LED chain)
- optical and acoustical
- NO\_FROST\_NEU\_BL, never have to defrost ever again

##### Key features - Fridge section

- Bright interior LED fridge light in fridge section
- 3 safety glass shelves in fridge compartment of which 3 are height adjustable
- 5 door trays, including 0x dairy compartment
- 1 removable door storage compartments.
- Super Cooling: No
- 5 door bins

##### Food freshness system

- 1 FreshSafe drawer with humidity control retains freshness for longer.

##### Dimension and installation

- Dimensions: 177.2 cm H x 54.1 cm W x 54.8 cm D
- Niche Dimensions: 177.5 cm H x 56 cm W x 55 cm D
- Right hinged door, reversible
- 220 - 240 V

##### Key features - Freezer section

- SuperFreeze function with automatic deactivation
- 1 x ice cube tray
- 3 freezer drawers
- Based on the results of the standard 24-hour test. Actual consumption depends on usage/position of the appliance.

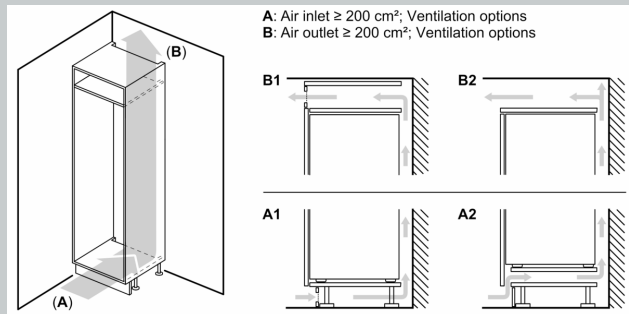
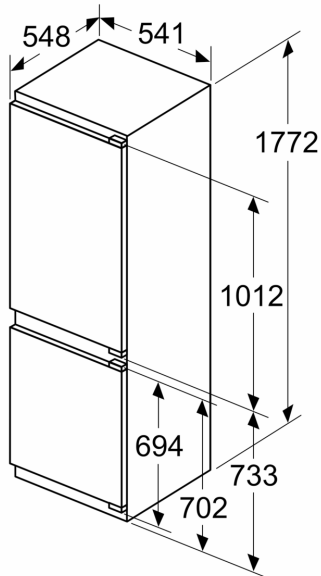
##### Dimension and installation

##### Additional features

- Flex Cooling

N 50, BUILT-IN FRIDGE-FREEZER WITH FREEZER AT BOTTOM, 177.2 X 54.1 CM, FLAT HINGE  
KI7867FE0

measurements in mm



**Maximal permissible weight of the unit fronts**

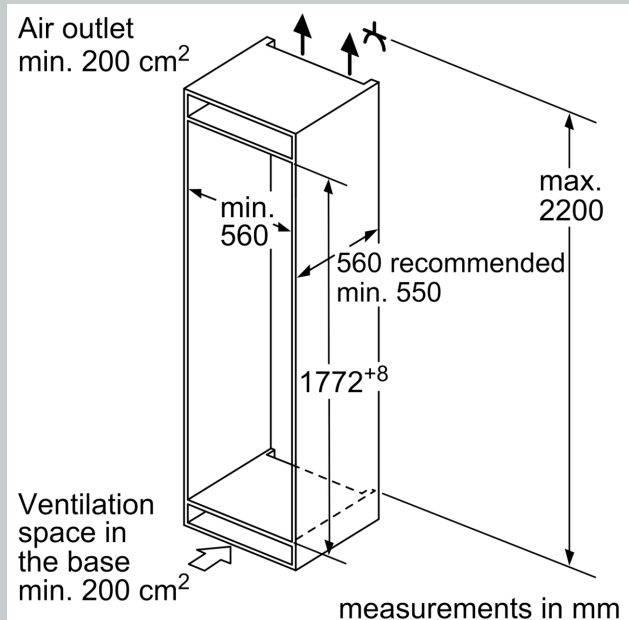
Fitted unit fronts that exceed the permissible weight may cause damage and result in functional impairment of the hinges

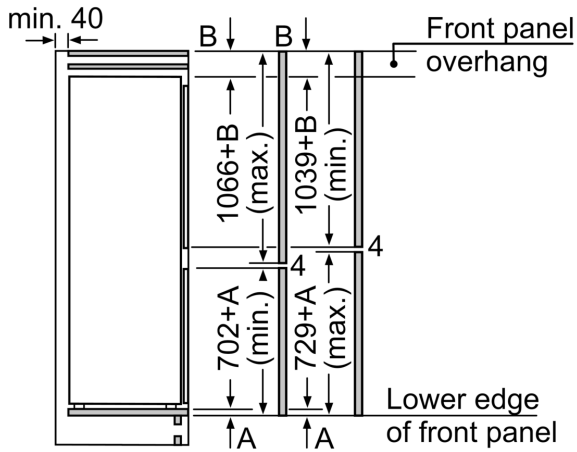
$\Delta$  Weight  
A: Appliance door height including hinges in mm

B: Undamped hinge, unit front in kg  
C: Damped hinge, unit front in kg

D: Additional possible load in kg with heavy load kit

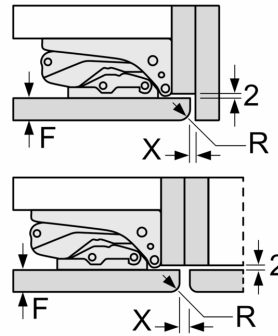
A	B	C	D
1500-1750	22	22	
720-1400	19	19	B+5 / C+5
A1	15	19	
A2	15	19	





The specified unit door dimensions are valid for a door gap of 4 mm.  
 measurements in mm

measurements in mm  
 Recommended gap dimensions for flat hinges



F	R	X
16-19	0-3	2.5
20	0-1	3
	2-3	2.5
21	0-1	3
	2-3	2.5
22	0	4
	1	3.5
	2-3	3

The gap dimensions recommended in the table must be adhered to in order to ensure that appliance doors do not collide with anything when they are opened, and to avoid causing damage to kitchen units.