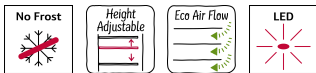


N 30, BUILT-IN FRIDGE-FREEZER WITH FREEZER AT BOTTOM, 193.5 X 54.1 CM, SLIDING HINGE KI7961SE0



KS6B0RZ0 Bottle Rack
KSGG0MZ0 Butter box

The spacious built-in fridge freezer with an extra shelf, additional door bins and Fresh Safe drawer for fruit and vegetables, No Frost and flexible storage solutions.

- ✓ No Frost – No more defrosting your freezer.
- ✓ Adjustable Glass Shelves – Height adjustable shelves create the space you need for inspiring dishes in your fridge
- ✓ Extra Space – More capacity for flexible cooling.
- ✓ Eco Air Flow – Even air circulation for constant temperatures and fast cooling.
- ✓ LED Light – Pleasant illumination for the entire fridge, with long-life LEDs.

Energy Efficiency Class:E
 Average annual energy consumption in kilowatt hour per year (kWh/a):231 kWh/a
 Sum of volume of frozen compartments:75 l
 Sum of volume of chill compartments:215 l
 Airborne acoustical noise emissions :34 dB(A) re 1 pW
 Airborne acoustical noise emission class:B
 Built-in / Free-standing: Built-in
 Door panel options: Not possible
 Height: 1935 mm
 Width of the appliance: 541 mm
 Depth: 548 mm
 Min. required niche size for installation (HxWxD): 1940 x 560 x 550 mm
 Net weight: 55.1 kg
 Fuse protection: 10 A
 Door hinge:Right reversible
 Voltage:220-240 V
 Frequency: 50 Hz
 Length electrical supply cord: 230.0 cm
 Number of compressors:1
 Number of independent cooling systems: 2
 Interior ventilator: No
 Reversible Door Hinge: Yes
 Number of Adjustable Shelves in fridge compartment: 4
 Shelves for Bottles: No
 Frost free system: Freezer
 Installation typology: Full-integrated



*N 30, BUILT-IN FRIDGE-FREEZER WITH FREEZER
AT BOTTOM, 193.5 X 54.1 CM, SLIDING HINGE
K17961SE0*

Design features

- Built-in fridge/freezer
- NO_FROST_NEU_BL, never have to defrost ever again
- Right hinged door, reversible
- Height adjustable front feet
- Bright interior LED fridge light in fridge section
- Twin LED electronic control panel

Functions

- Automatic defrost fridge
- Two separate cooling circuits allow independent temperature control and prevents the transference of humidity between the fridge and freezer cavity
- Super Cooling: automatic deactivation
- optical and acoustical

Food freshness system

- 1 FreshSafe drawer- The ideal place to store your fruit and vegetables safely.

Key features - Fridge section

- 5 safety glass shelves in fridge compartment of which 4 are height adjustable
- Door shelves in fridge door: 1 large and 3 small.

Key features - Freezer section

- 3 freezer drawers

Additional features

- 2 x egg tray, 1 x ice cube tray

Performance and Consumption

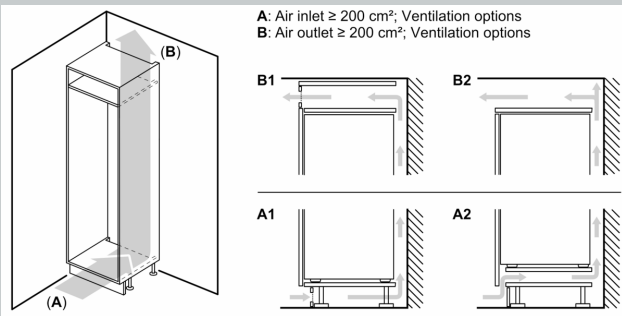
- Climate Class: SN-ST
- Total Volume : 290 l
- Net Fridge Volume : 215 l
- Net Freezer Volume : 75 l
- Annual Energy Consumption: 231 kWh/a
- Noise Level : 34 dB , EU19_Noise emission class_D: B
- Freezing capacity 24h : 7.5 kg
- Temperature rise time : EU19_Temperature rise time_D: 10 H
- 220 - 240 V
- EU19_EEK_D: E
- EU19_Fast freezer facility_D
- Based on the results of the standard 24-hour test. Actual consumption depends on usage/position of the appliance.

Dimension and installation

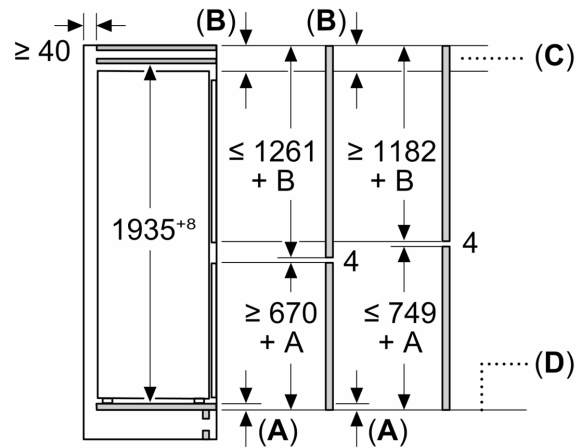
- Dimensions: 193.5 cm H x 54.1 cm W x 54.8 cm D
- Niche Dimensions: 194 cm H x 56 cm W x 55 cm D
- Length of power cord: 230 cm

Country Specific Options

N 30, BUILT-IN FRIDGE-FREEZER WITH FREEZER AT BOTTOM, 193.5 X 54.1 CM, SLIDING HINGE
K17961SE0



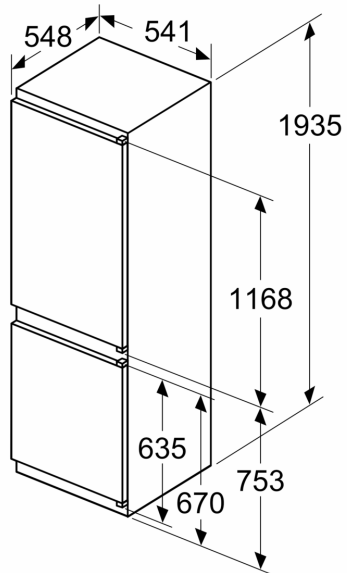
Measurements in mm



C: Front panel overhang

D: Lower edge of front panel

Measurements in mm



Measurements in mm

