

N 90, Built-in fridge, 140 x 56 cm
K18513D30G



COOKING PASSION SINCE 1877



This built-in refrigerator with VarioShelf, LED interior lighting and other convenient features keeps foods fresh up to 3x longer.

- ✓ FreshSafe 3: Optimal freshness due to two climate zones with different air moisture at nearly 0°C.
- ✓ EasyAccess Shelf: Provides better organization, with a clearer view and better access to foods.
- ✓ VarioShelf: The glass shelf can be divided and one half pushed beneath the other, for flexible interior configurations.
- ✓ Adjustable Glass Shelves – Height adjustable shelves create the space you need for inspiring dishes in your fridge
- ✓ Our safety glass shelves happily shoulder generous loads of delicacies in your fridge

Features

Technical Data

Construction type : Built-in
 Door panel options : Not possible
 Height (mm) : 1397
 Width of the appliance : 558
 Depth of the product : 545
 Required niche size for installation (HxWxD) : 1400 x 560 x 550
 Net weight (kg) : 51.609
 Connection rating (W) : 90
 Current (A) : 13
 Door hinge : Right reversible
 Voltage (V) : 220-240
 Frequency (Hz) : 50
 Approval certificates : CE, VDE
 Length of electrical supply cord (cm) : 230
 Number of compressors : 1
 Number of independent cooling systems : 2
 Interior ventilator : No
 Reversible Door Hinge : Yes
 Number of Adjustable Shelves in fridge compartment (Stck) : 4
 Shelves for Bottles : No
 EAN code : 4242004172475
 Brand : Neff
 Product name / Commercial code : K18513D30G
 Product category : Refrigerator
 Energy efficiency rating : A++
 Energy consumption annual (kWh/annum) - NEW (2010/30/EC) : 124.00
 Refrigerator Net capacity (l) - NEW (2010/30/EC) : 222
 Freezer Net capacity (l) - NEW (2010/30/EC) : 0
 Frost free system : No
 Freezing capacity (kg/24h) - NEW (2010/30/EC) : 0
 Noise level (dB(A) re 1 pW) : 37
 Climate class : SN-T
 Installation type : Full-integrated

Optional accessories

Z10020 Bottle Rack



4 242004 172475

N 90, Built-in fridge, 140 x 56 cm
KI8513D30G



COOKING PASSION SINCE 1877

Features

Performance and Consumption

- Energy Efficiency Class: A++
- Energy Efficiency Class: A++ kWh/yr: 0.337 kWh
- Net fridge capacity: 222 litres
- Capacity in 0° C section: 59 l
- Noise level dB(A) re 1 pW: 37

Design features

- LED Electronic control
- Right hinged door, reversible

Food freshness system

- FreshSense - constant temperature by intelligent sensor technology - Constant temperature control by intelligent sensor technology
- Two separate cooling circuits allow independent temperature control and prevents the transference of humidity between the fridge and freezer cavity

Key features - Fridge section

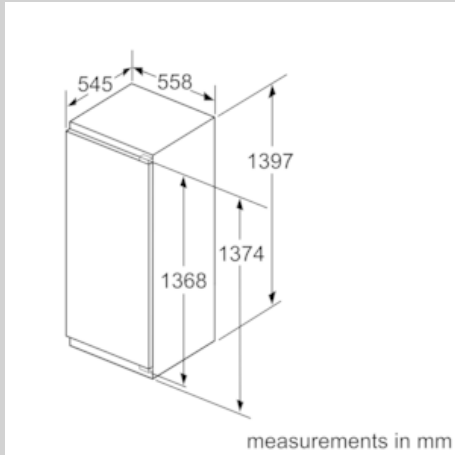
- 1 FreshSafe 3 0°C drawer with humidity control for optimal freshness; food stays fresh for longer due to two climate zones.
- 5 safety glass shelves (4 height adjustable)
- Easy access shelf - easy access and everything in sight
- 4 door trays, including 1x dairy compartment
- Interior design with metal applications
- Bright interior LED fridge light
- Super Cooling: automatic deactivation

Dimension and installation

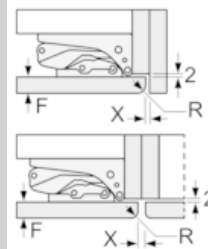
- Connection value 90 W
- Dimensions: 139.7 cm H x 55.8 cm W x 54.5 cm D
- Niche Dimensions: 140 cm H x 56 cm W x 55 cm D
- Climate class SN-T (suitable for ambient temperatures between 10 to 43°C)
- Based on the results of the standard 24-hour test. Actual consumption depends on usage/position of the appliance.

N 90, Built-in fridge, 140 x 56 cm
K18513D30G

Dimensioned drawings



measurements in mm
Recommended gap dimensions for flat hinges



F	R	X
16-19	0-3	2.5
20	0-1	3
	2-3	2.5
21	0-1	3
	2-3	2.5
22	0	4
	1	3.5
	2-3	3

The gap dimensions recommended in the table must be adhered to in order to ensure that appliance doors do not collide with anything when they are opened, and to avoid causing damage to kitchen units.

