

N 90, BUILT-IN FRIDGE-FREEZER WITH FREEZER
AT BOTTOM, 177.2 X 55.8 CM, SOFT CLOSE FLAT
HINGE
KI8865DE0



The built-in fridge-freezer with FreshSafe 3 and NoFrost keeps food fresher for longer and builds no ice in the freezer.

- ✓ Home Connect – Add your smart fridge to your home network and stay connected to your kitchen.
- ✓ Fresh Safe 3 – Climate-controlled drawers for optimal fresh food storage.
- ✓ No Frost – No more defrosting your freezer.
- ✓ Soft Close – Enjoy the silence. The door softly closes itself when at an angle of 20 degrees.
- ✓ Bottle Flex Shelf – A bottle holder and shelf in one.

Energy Efficiency Class:	E
Average annual energy consumption in kilowatt hour per year (kWh/a):	252 kWh/a
Sum of volume of frozen compartments:	67 l
Sum of volume of chill compartments:	156 l
Airborne acoustical noise emissions :	36 dB(A) re 1pW
Airborne acoustical noise emission class:	C
Built-in / Free-standing:	Built-in
Door panel options:	Not possible
Height:	1772 mm
Width of the appliance:	558 mm
Depth:	545 mm
Min. required niche size for installation (HxWxD): ..	1775.0 x 560 x 550 mm
Net weight:	71.0 kg
Connection Rating:	90 W
Fuse protection:	10 A
Door hinge:	Right reversible
Voltage:	220-240 V
Frequency:	50 Hz
Length electrical supply cord:	230.0 cm
Number of compressors:	1
Number of independent cooling systems:	2
Interior ventilator:	No
Reversible Door Hinge:	Yes
Number of Adjustable Shelves in fridge compartment:	2
Shelves for Bottles:	No
Frost free system:	Freezer
Installation typology:	Full-integrated



*N 90, BUILT-IN FRIDGE-FREEZER WITH FREEZER
AT BOTTOM, 177.2 X 55.8 CM, SOFT CLOSE FLAT
HINGE
KI8865DE0*

Functions

- LED with Soft Start in fridge section

Design features

- NO_FROST_NEU_BL, never have to defrost ever again
- Home Connect: Remote Monitoring and Control
- Electronic controls for fridge and freezer
- FreshSense - constant temperature by intelligent sensor technology
- Constant temperature control by intelligent sensor technology
- Automatic defrost fridge
- Two separate cooling circuits allow independent temperature control and prevents the transference of humidity between the fridge and freezer cavity
- Super Cooling: automatic deactivation
- SuperFreeze function with automatic deactivation
- Holiday mode
- Acoustic door open warning indicator
- Freezer malfunction warning signal: optical and acoustical

Design features

- 1 safety glass shelves, of which 2 are height adjustable
- BottleFlex Shelf
- 3 door trays, including 0x dairy compartment

Freshness System

- Capacity in 0° C section: 55 l
- 1 FreshSafe 3 0°C drawer with humidity control for optimal freshness; food stays fresh for longer due to two climate zones.
- 1 VitaFresh container "dry" (about 50% humidity)

Food freshness system

- Removeable safety glass shelves in freezer
- 3 transparent freezer drawers, 1 bigbox

Dimension and installation

- Dimensions: 177.2 cm H x 55.8 cm W x 54.5 cm D
- Niche Dimensions: 177.5 cm H x 56 cm W x 55 cm D

Key features - Fridge section

- Right hinged door, reversible
- Connection value 90 W
- 220 - 240 V

Key features - Freezer section

- KI8865DE0

Included accessories

Country Specific Options

- Based on the results of the standard 24-hour test. Actual consumption depends on usage/position of the appliance.

Design features

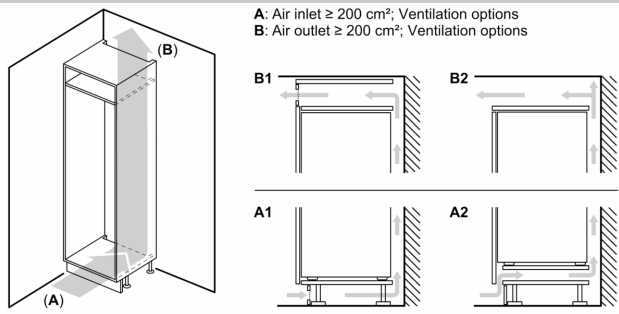
Dimension and installation

Additional features

Performance and Consumption

- EU19_EEK_D: E
- Total Volume : 223 l
- Net Fridge Volume : 156 l
- Net Freezer Volume : 67 l
- Freezing capacity 24h : 7 kg
- Annual Energy Consumption: 252 kWh/a
- Climate Class: SN-ST
- EU19_Fast freezer facility_D
- Noise Level : 36 dB , EU19_Noise emission class_D: C
- Temperature rise time : EU19_Temperature rise time_D: 8 H

N 90, BUILT-IN FRIDGE-FREEZER WITH FREEZER AT BOTTOM, 177.2 X 55.8 CM, SOFT CLOSE FLAT HINGE
KI8865DE0



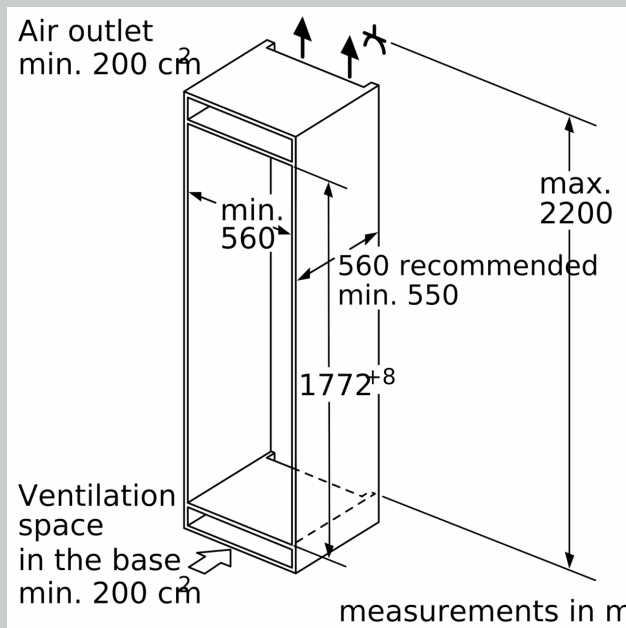
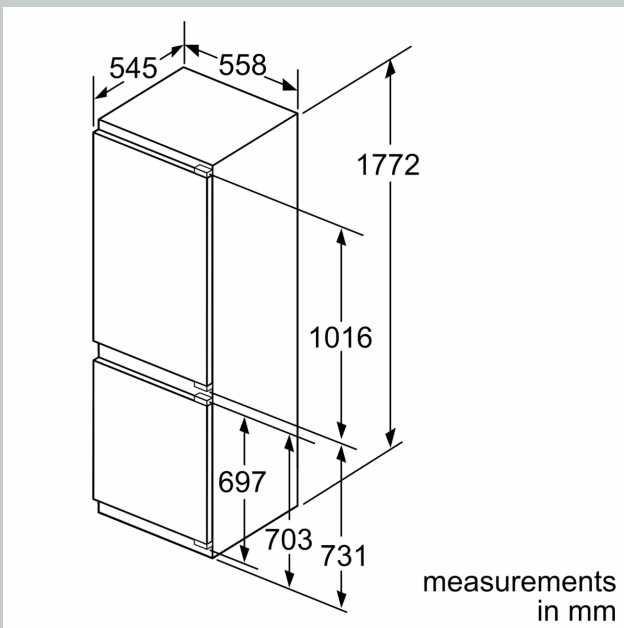
Maximal permissible weight of the unit fronts

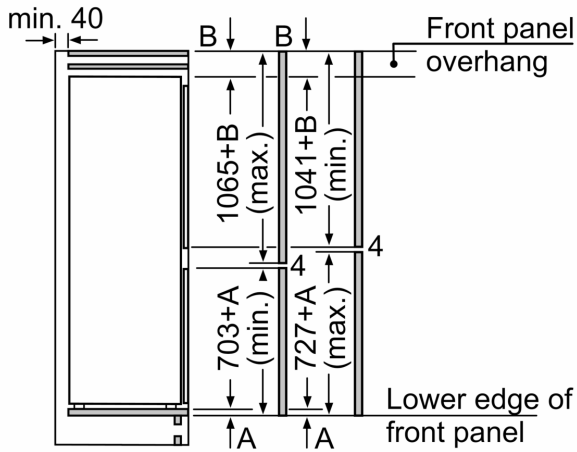
Fitted unit fronts that exceed the permissible weight may cause damage and result in functional impairment of the hinges

Δ Weight
A: Appliance door height including hinges in mm

B: Undamped hinge, unit front in kg
C: Damped hinge, unit front in kg
D: Additional possible load in kg with heavy load kit

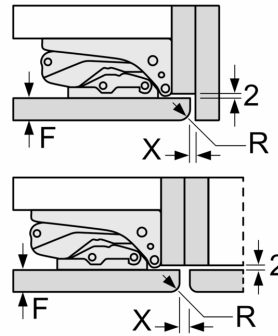
A	B	C	D
1500-1750	22	22	B+5 / C+5
720-1400	19	19	
A1	15	19	
A2	15	19	





The specified unit door dimensions are valid for a door gap of 4 mm.
 measurements in mm

measurements in mm
 Recommended gap dimensions for flat hinges



F	R	X
16-19	0-3	2.5
20	0-1	3
	2-3	2.5
21	0-1	3
	2-3	2.5
22	0	4
	1	3.5
	2-3	3

The gap dimensions recommended in the table must be adhered to in order to ensure that appliance doors do not collide with anything when they are opened, and to avoid causing damage to kitchen units.