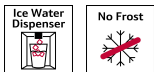


N 70, MULTI DOOR AMERICAN FRIDGE FREEZER,
183 X 90.5 CM, BRUSHED BLACK STEEL
ANTI-FINGERPRINT, TOTAL NO FROST
KM3963XE0



- ✓ XXL capacity: flexible storage that adapts to your lifestyle and every ingredient, shape or size.
- ✓ Ice & Water Dispenser with tap connection: effortless refreshment, every time.
- ✓ Fresh Safe 1 <0°C> – Ideal storage for fruit and veg, fish and meat.
- ✓ No Frost – No more defrosting your freezer.
- ✓ Freezer Light – Bright illumination of all of your frozen items.

Features

Technical Data

Energy Efficiency Class ¹ :	E
Average annual energy consumption in kilowatt hour per year (kWh/a):	327 kWh/a
Sum of volume of frozen compartments:	199 l
Sum of volume of chill compartments:	375 l
Airborne acoustical noise emissions :	39 dB(A) re 1pW
Airborne acoustical noise emission class:	C
Built-in / Free-standing:	Free-standing
Door panel options:	Not possible
Height:	1830 mm
Width of the appliance:	905 mm
Depth:	731 mm
Net weight:	139.0 kg
EAN code:	4242004292043
Fuse protection:	10 A
Door hinge:	Left & Right
Voltage:	220-240 V
Frequency:	50-60 Hz
Length electrical supply cord:	240 cm
Number of compressors:	1
Number of independent cooling systems:	1
Interior ventilator:	Yes
Reversible Door Hinge:	No
Number of Adjustable Shelves in fridge compartment:	4
Shelves for Bottles:	Yes
Frost free system:	Fridge and freezer
Installation typology:	Free-standing



¹ Scale of Energy Efficiency Classes from A to G

N 70, MULTI DOOR AMERICAN FRIDGE FREEZER,
183 X 90.5 CM, BRUSHED BLACK STEEL
ANTI-FINGERPRINT, TOTAL NO FROST
KM3963XE0

Features

- KM3963XE0
- No Frost, CrossDoor
- Standard door black inox-antifingerprint

Performance and Consumption

- EU19_EEK_D: E
- Total Volume : 574 l
- Annual Energy Consumption: 327 kWh/a
- EU19_Fast freezer facility_D
- Noise Level : 39 dB , EU19_Noise emission class_D: C

Functions

- black inox-antifingerprint doors and cast iron side panels
- Bright interior LED fridge light in fridge section
- Metal backwall
- Interior design with metal applications

Design features

- NO_FROST_NEU_BL, never have to defrost ever again
- Electronic controls for fridge and freezer
- Home Connect: Remote diagnostics, Remote Monitoring and Control
- Separate temperature control for cooling and freezing section
- Super Cooling: automatic deactivation
- optical, acoustic for Fridge and Freeze
- Automatic defrost fridge
- Freezer malfunction warning signal: optical, acoustical

Ice and Water

- Illuminated water and ice dispenser
- Automatic ice cube maker
- Connection Length (water supply):200 cm

Design features

- Net Fridge Volume : 375 l
- MultiAirFlow cooling - improves circulation of air around the fridge
- Water dispenser: yes, direct conn.water-tap
- 5 safety glass shelves of which 4 are height adjustable
- Door shelves in fridge door: 1 large and 3 small.
- flexShelf - easy to pull out if required, space saving if not in use
- 1 dairy compartment in door

Freshness System

- 1 FreshSafe 1 0°C drawer
- 1 FreshSafe drawer on rails with humidity control retains freshness for longer.

Food freshness system

- Net Freezer Volume : 199 l
- Temperature rise time : EU19_Temperature rise time_D: 11 H
- Net 4* compartment volume : 192 l
- Freezing capacity 24h : 16 kg

- 6 freezer drawers
- No Frost

Dimension and installation

- Dimensions: 183 cm H x 90.5 cm W x 73.1 cm D

Key features - Fridge section

- 220 - 240 V
- Climate Class: SN-T
- Length of power cord:240 cm

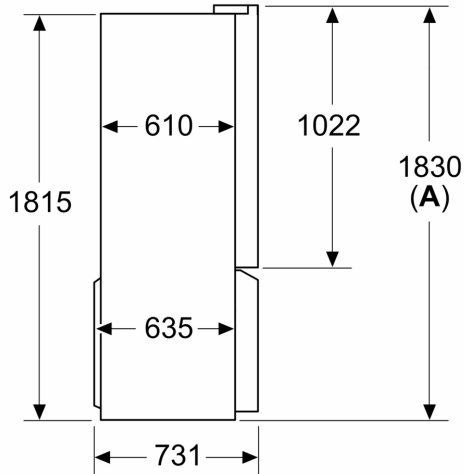
Key features - Freezer section

Country Specific Options

N 70, MULTI DOOR AMERICAN FRIDGE FREEZER,
 183 X 90.5 CM, BRUSHED BLACK STEEL
 ANTI-FINGERPRINT, TOTAL NO FROST
 KM3963XE0

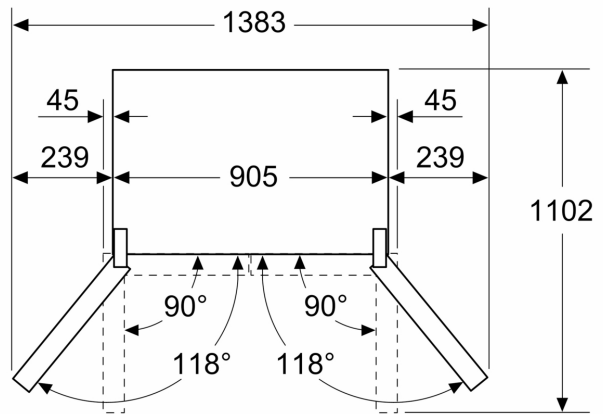
Dimensioned drawings

Measurements in mm

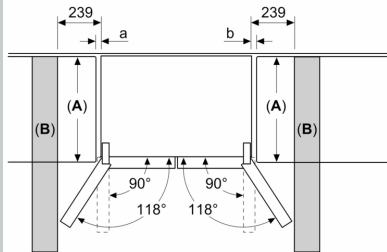


A: Front is adjustable 1830–1847 mm, with front levelling feet fully extended

Measurements in mm



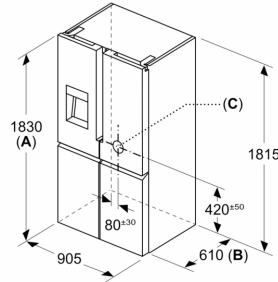
Measurements in mm



A	a	b
≤ 600	0	0
600 < A ≤ 650	45	45
650 < A ≤ 700	60	60
> 700	239	239

A: Kitchen cabinet or worktop depth
B: Wall
 Drawers can be pulled and taken out with door open to 90°

Measurements in mm



A: Front is adjustable 1830–1847 mm, with front levelling feet fully extended
B: Add 25 mm for fixed spacers on back
C: Water connection position