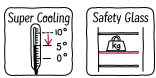


N 50, BUILT-UNDER FRIDGE, 82 X 60 CM, FLAT HINGE  
KU1212FE0G



Built-under fridge: loads of space and easy access, with Door Alarm for worry-free storage where space is limited.

- ✓ Super Cooling – Reduces the temperature for quick chilling, before returning to the regular setting.
- ✓ Our safety glass shelves happily shoulder generous loads of delicacies in your fridge

Energy Efficiency Class: .....E  
 Average annual energy consumption in kilowatt hour per year (kWh/a): ..... 93 kWh/a  
 Sum of volume of frozen compartments: ..... 0 l  
 Sum of volume of chill compartments: ..... 134 l  
 Airborne acoustical noise emissions : ..... 35 dB(A) re 1 pW  
 Airborne acoustical noise emission class: ..... B  
 Built-in / Free-standing: ..... Built-in  
 Door panel options: ..... Not possible  
 Height: ..... 820 mm  
 Width of the appliance: ..... 598 mm  
 Depth: ..... 548 mm  
 Min. required niche size for installation (HxWxD): .820 x 600 x 550 mm  
 Net weight: ..... 28.4 kg  
 Fuse protection: ..... 10 A  
 Door hinge: ..... Right reversible  
 Voltage: ..... 220-240 V  
 Frequency: ..... 50 Hz  
 Length electrical supply cord: ..... 230.0 cm  
 Number of compressors: ..... 1  
 Number of independent cooling systems: ..... 1  
 Interior ventilator: ..... No  
 Reversible Door Hinge: ..... Yes  
 Number of Adjustable Shelves in fridge compartment: ..... 3  
 Shelves for Bottles: ..... No  
 EAN code: ..... 4242004272328  
 Brand: ..... Neff  
 Product name / Commercial code: ..... KU1212FE0G  
 Product category: ..... Refrigerator  
 Frost free system: ..... No  
 Installation typology: ..... Built-under  
 Included accessories: ..... 3 x egg tray

3 x egg tray

KFZ10AX0 Door panel with decor frame  
 KSGG0MZ0 Butter box  
 KU1213Z0 Attachment door, stainless steel



N 50, BUILT-UNDER FRIDGE, 82 X 60 CM, FLAT  
HINGE  
KU1212FE0G

#### Performance and Consumption

- EU19\_EEK\_D: E
- Total Volume : 134 l
- Annual Energy Consumption: 93 kWh/a
- Climate Class: SN-T
- Noise Level : 35 dB , EU19\_Noise emission class\_D: B

#### Functions

- LED with Soft Start

#### Design features

- Electronic control (LED chain)
- optical and acoustical
- Fresh mode
- Home Connect: Remote diagnostics, Remote Monitoring and Control
- Super Cooling: automatic deactivation
- Automatic defrost fridge
- Easy clean interior

#### Design features

- Net Fridge Volume : 134 l
- 2 door bins
- Bottle holder in x-deep door tray

#### Freshness System

#### Key features - Fridge section

- Right hinged door, reversible
- can be built under
- Ventilation through plinth
- Length of power cord: 230 cm
- 220 - 240 V

#### Dimension and installation

- Niche Dimensions: 82 cm H x 60 cm W x 55 cm D
- Dimensions: 82 cm H x 59.8 cm W x 54.8 cm D

#### Key features - Freezer section

- KU1212FE0G

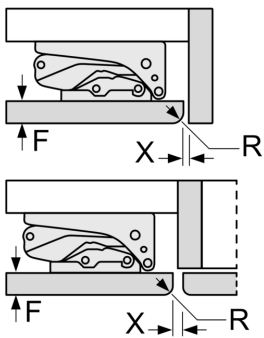
#### Country Specific Options

- Based on the results of the standard 24-hour test. Actual consumption depends on usage/position of the appliance.

#### Additional features

N 50, BUILT-UNDER FRIDGE, 82 X 60 CM, FLAT HINGE  
HINGE  
KU1212FEOG

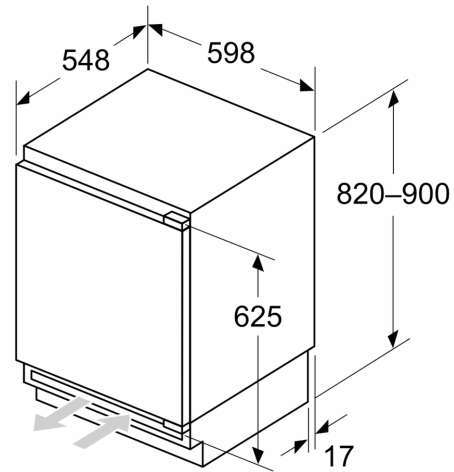
measurements in mm  
Recommended gap dimensions for flat hinges



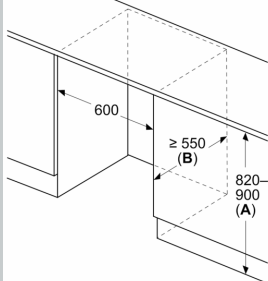
F	R	X
16-19	0-3	2.5
20	0-1	3
	2-3	2.5
21	0-1	3
	2-3	2.5
22	0	4
	1	3.5
	2-3	3

The gap dimensions recommended in the table must be adhered to in order to ensure that appliance doors do not collide with anything when they are opened, and to avoid causing damage to kitchen units.

Measurements in mm



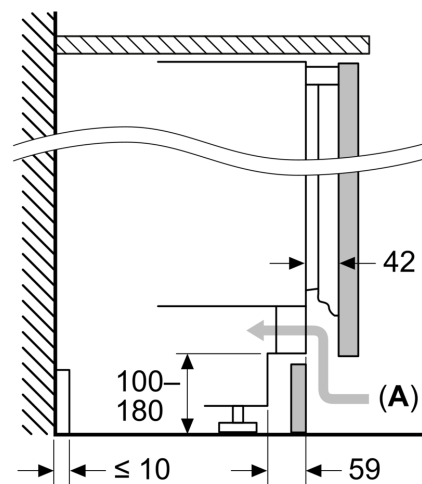
Measurements in mm



A: Substructure height  
B: ≥ 560 mm (recommended)

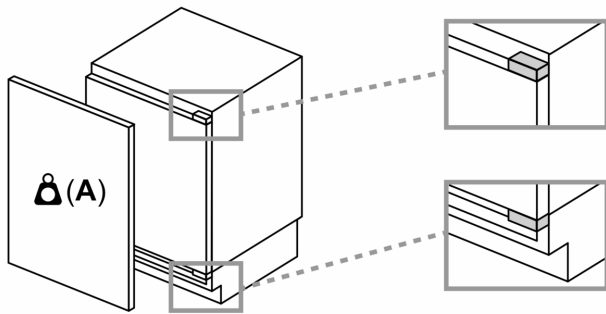
Space for electrical connection next to the appliance on the left or right side

Measurements in mm



A: Air inlet ≥ 200 cm<sup>2</sup>

### Maximal permissible weight of the unit fronts



Fitted unit fronts that exceed the permissible weight may cause damage and result in functional impairment of the hinges

**A:** Weight  $\leq$  12 kg