

N 50, BUILT-UNDER FRIDGE WITH FREEZER SECTION, 82 X 60 CM, FLAT HINGE
KU2222FDOG



Built-under fridge with 4-star freezer section and Door Alarm for worry-free cooling and freezing where space is limited.

- ✓ Super Cooling – Reduces the temperature for quick chilling, before returning to the regular setting.
- ✓ Our safety glass shelves happily shoulder generous loads of delicacies in your fridge
- ✓ Home Connect – Add your smart fridge to your home network and stay connected to your kitchen.

Features

Technical Data

Energy Efficiency Class:	D
Average annual energy consumption in kilowatt hour per year (kWh/a):	119 kWh/a
Sum of volume of frozen compartments:	17 l
Sum of volume of chill compartments:	93 l
Airborne acoustical noise emissions :	35 dB(A) re 1 pW
Airborne acoustical noise emission class:	B
Built-in / Free-standing:	Built-in
Door panel options:	Not possible
Height:	820 mm
Width of the appliance:	598 mm
Depth:	548 mm
Min. required niche size for installation (HxWxD):	.820 x 600 x 550 mm
Net weight:	30.4 kg
Fuse protection:	10 A
Door hinge:	Right reversible
Voltage:	220-240 V
Frequency:	50 Hz
Length electrical supply cord:	230.0 cm
Number of compressors:	1
Number of independent cooling systems:	1
Interior ventilator:	No
Reversible Door Hinge:	Yes
Number of Adjustable Shelves in fridge compartment:	2
Shelves for Bottles:	No
EAN code:4242004272229
Brand:	Neff
Product name / Commercial code:	KU2222FDOG
Product category:	Refrigerator
Frost free system:	No
Installation typology:	Built-under
Included accessories:	3 x egg tray, 1 x ice cube tray

Included accessories

3 x egg tray, 1 x ice cube tray

Optional accessories

KF10ZAX0 Door panel with decor frame
KSZGGM00 Butter box



N 50, BUILT-UNDER FRIDGE WITH FREEZER
SECTION, 82 X 60 CM, FLAT HINGE
KU2222FDOG

Features

- Built-in fridge

Performance and Consumption

- EU19_EEK_D: D
- Total Volume : 110 l
- Annual Energy Consumption: 119 kWh/a
- Climate Class: SN-T
- Noise Level : 35 dB , EU19_Noise emission class_D: B

Functions

- LED with Soft Start

Design features

- Electronic control (LED chain)
- optical and acoustical
- Home Connect: Remote diagnostics, Remote Monitoring and Control
- Fresh mode
- Super Cooling: automatic deactivation
- Automatic defrost fridge
- Easy clean interior

Design features

- Net Fridge Volume : 93 l
- 2 door bins
- Bottle holder in x-deep door tray

Freshness System

Food freshness system

- 1 hinged freezer compartment
- Net Freezer Volume : 17 l
- Temperature rise time : EU19_Temperature rise time_D: 9 H
- EU19_Fast freezer facility_D
- Freezing capacity 24h : 3 kg
- Ice box

Key features - Fridge section

- Right hinged door, reversible
- can be built under
- Ventilation through plinth
- Length of power cord:230 cm
- 220 - 240 V

Dimension and installation

- Niche Dimensions: 82 cm H x 60 cm W x 55 cm D
- Dimensions: 82 cm H x 59.8 cm W x 54.8 cm D

Key features - Freezer section

- KU2222FDOG

Country Specific Options

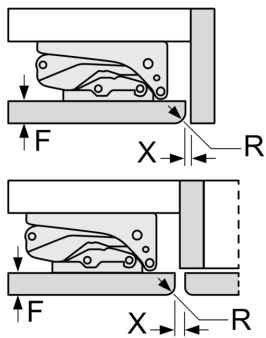
- Based on the results of the standard 24-hour test. Actual consumption depends on usage/position of the appliance.

Additional features

N 50, BUILT-UNDER FRIDGE WITH FREEZER
SECTION, 82 X 60 CM, FLAT HINGE
KU2222FDOG

Dimensioned drawings

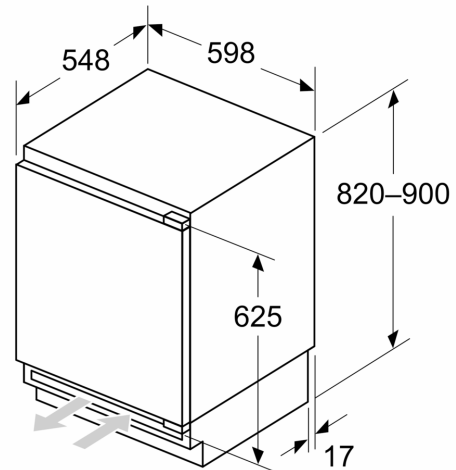
measurements in mm
Recommended gap dimensions for flat hinges



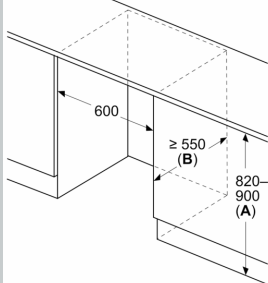
F	R	X
16-19	0-3	2.5
20	0-1	3
	2-3	2.5
21	0-1	3
	2-3	2.5
22	0	4
	1	3.5
	2-3	3

The gap dimensions recommended in the table must be adhered to in order to ensure that appliance doors do not collide with anything when they are opened, and to avoid causing damage to kitchen units.

Measurements in mm



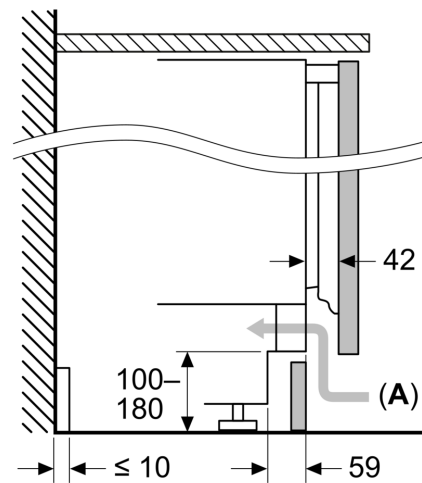
Measurements in mm



A: Substructure height
B: ≥ 560 mm (recommended)

Space for electrical connection next to the appliance on the left or right side

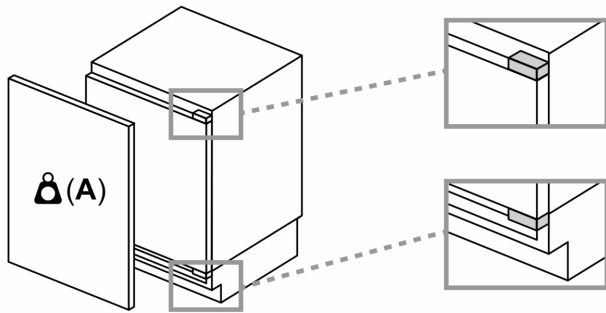
Measurements in mm



A: Air inlet ≥ 200 cm²

Dimensioned drawings

Maximal permissible weight of the unit fronts



Fitted unit fronts that exceed the permissible weight may cause damage and result in functional impairment of the hinges

A: Weight \leq 12 kg