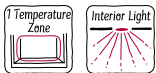


N 70, WINE COOLER WITH GLASS DOOR, 82 X 30
CM
KU9202HFOG



This built-under Wine Cabinet with bamboo shelves offers 1 temperature zone to adjust the temperature to your bottles' needs.

- ✓ Temperature Zone (5°C-20°C) – Adjust the temperature to your bottles' needs, from 5°C for whites to 20°C for reds
- ✓ Interior Light – Illuminate your wine cooler with an eye-catching kitchen highlight

Features

Technical Data

Energy Efficiency Class:	F
Average annual energy consumption in kilowatt hour per year (kWh/a):	100 kWh/a
Capacity of 75 cl bottles:	21
Airborne acoustical noise emissions :	38 dB(A) re 1 pW
Airborne acoustical noise emission class:	C
Built-in / Free-standing:	Built-in
Door panel options:	Not possible
Height:	818 mm
Width of the appliance:	298 mm
Depth:	567 mm
Min. required niche size for installation (HxWxD):	.820 x 300 x 550 mm
Net weight:	26.6 kg
Connection Rating:	70 W
Fuse protection:6 A
Interior ventilator:	Yes
Voltage:	220-240 V
Frequency:	50-60 Hz
Length electrical supply cord:	230.0 cm
Plug type:	GB plug
Number of compressors:	1
Number of independent cooling systems:	1
Reversible Door Hinge:	Yes
Interior light switch:	No
EAN code:4242004255499
Brand:	Neff
Product name / Commercial code:	KU9202HFOG



N 70, WINE COOLER WITH GLASS DOOR, 82 X 30
CM
KU9202HFOG

Features

- Wine storage cabinet, Built-under appliance

Performance and Consumption

Functions

- Built-in fridge
- Glass door
- Triple glazed door, UV-filter

Design features

- Illumination fridge: LED with Soft Start
- Illumination on/off: Yes
- Presenter Lighting: Yes
- optical and acoustical
- Child lock
- Interior ventilator

Design features

- Number of Temperature Zones: 1
- Temperature range: 5-20 °C
- 4 PC bottle shelves for 0,75 l
- No. wooden grills in fridge: 3 PC
- Design of shelves: Standard shelf

Key features - Fridge section

- Ventilation in plinth, the plinth size can be varied
- Door aperture angle 115°
- Lockable appliance: No
- Variable plinth adaption
- Right hinged door, reversible

Dimension and installation

- Niche Dimensions: 82 cm H x 30 cm W x 55 cm D
- Dimensions: 81.8 cm H x 29.8 cm W x 56.7 cm D

Country Specific Options

- Based on the results of the standard 24-hour test. Actual consumption depends on usage/position of the appliance.
- This appliance is intended to be used exclusively for the storage of wine

Key features - Freezer section

Additional features

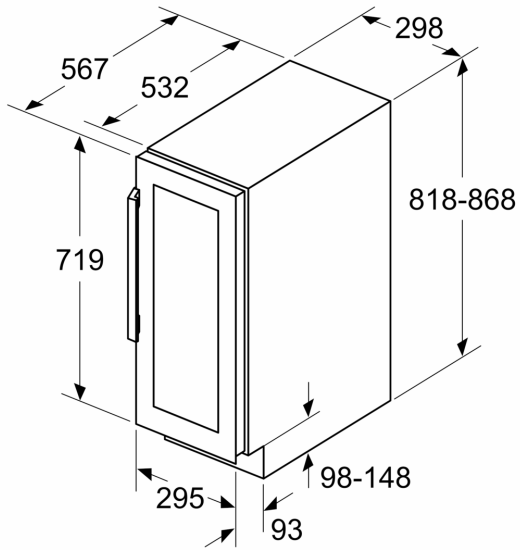
Design features

- EU19_EEK_D: F
- Total Volume : 58 l
- Annual Energy Consumption: 100 kWh/a
- Climate Class: SN-ST
- EU19_Fast freezer facility_D
- Noise Level : 38 dB , EU19_Noise emission class_D: C

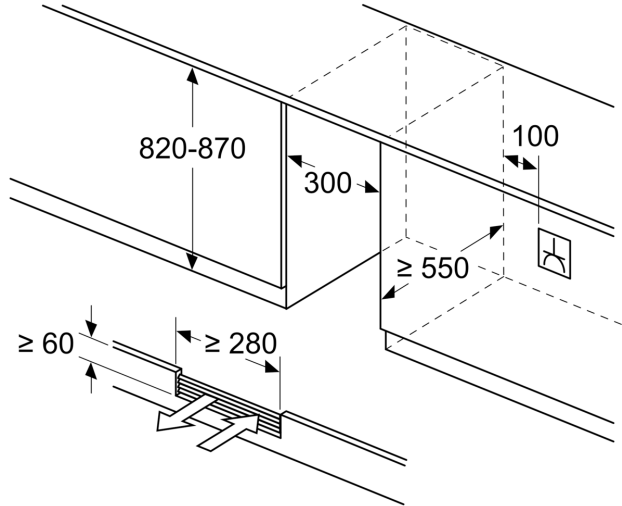
N 70, WINE COOLER WITH GLASS DOOR, 82 X 30
CM
KU9202HFOG

Dimensioned drawings

Measurements in mm



measurements in mm



measurements in mm

