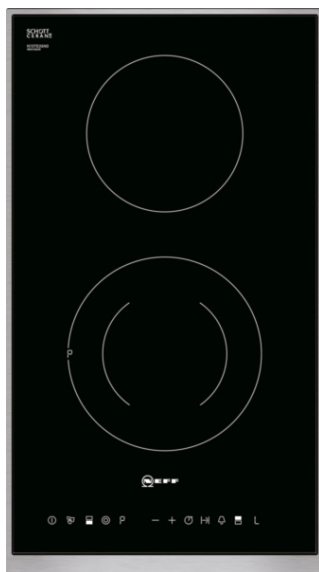


N 70, Domino electric hob, 30 cm
N13TD26N0



COOKING PASSION SINCE 1877



Standalone electric hob with TouchControl

- ✓ Touch Control – Control your hob with a simple touch.
- ✓ Power Boost – An extra surge of heat when you need fast results.

Features

Technical Data

Product name/family : Vario/Domino cooking zone cera

Product name/family : Vario/Domino cooking zone cera

Construction type : Built-in

Construction type : Built-in

Energy input : Electric

Energy input : Electric

Total number of positions that can be used at the same time : 2

Total number of positions that can be used at the same time : 2

Min. required niche size for installation (HxWxD) : 37 x x mm

Min. required niche size for installation (HxWxD) : 37 x x mm

Width of the appliance : 306 mm

Width of the appliance : 306 mm

Dimensions : 37 x 306 x 546 mm

Dimensions : 37 x 306 x 546 mm

Dimensions of the packed product (HxWxD) : 125 x 487 x 629 mm

Dimensions of the packed product (HxWxD) : 125 x 487 x 629 mm

Net weight : 4.5 kg

Net weight : 4.5 kg

Gross weight : 5.5 kg

Gross weight : 5.5 kg

Residual heat indicator : Separate

Residual heat indicator : Separate

Location of control panel : Hob front

Location of control panel : Hob front

Basic surface material : Ceramic

Basic surface material : Ceramic

Color of surface : Black, Stainless steel

Color of surface : Black, Stainless steel

Length of electrical supply cord : 100 cm

Length of electrical supply cord : 100 cm

EAN code : 4242004207030

EAN code : 4242004207030

Fuse protection : 16 A

Fuse protection : 16 A

Voltage : 220-240 V

Voltage : 220-240 V

Frequency : 60; 50 Hz

Frequency : 60; 50 Hz

Optional accessories

Z9914X0 Connecting strip



4 242004 207030

Features

Design

- Ceramic glass on stainless steel trim
- 30 cm: space for 2 pots or pans.

Flexibility of cooking zones

- Ring zone double: use regular or larger cookware on the extendable cooking zone.
- Cooking zone middle: 180 mm, 120 mm, 1 KW (max. power 2.3 KW)
- Cooking zone middle: 145 mm, 1.2 KW

Usage convenience

- TouchControl: directly control the power with imprinted touch bar.
- Variable 17-stage power settings for each zone: precisely adapt the heat with 17 power levels (9 main levels and 8 intermediate levels).
- Keep warm function: keep dishes warm at preset low power level.
- Timer with automatic shut off for all zones
: switches off the cooking zone at the end of the time set (e.g. for boiled eggs).
- LED timer for each zone with switch off function and acoustic signal
: an alarm sounds at the end of the time set (e.g. for pasta).
- Count up timer
: shows how much time has passed since starting the timer (e.g. for potatoes).

Time saving & efficiency

- Front: boil water more quickly thanks to 20% more energy than at the highest standard level.
- ReStart function: in case of unintentional switch-off, this feature restores all previous settings by switching on the hob again within 4 seconds.

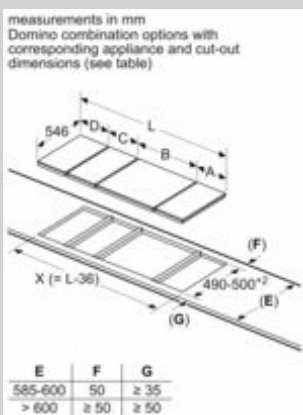
Safety

- 2 stage residual heat indicators: indicates which cooking zones are still hot or warm.
- Control panel lock: prevent unintended activation of the hob.
- Control panel suspension: wipe overboiled liquids without unintentionally changing settings (blocking all touch buttons for 30 seconds).
- Main switch: switch off all cooking zones at the touch of a button.
- Power on indicator light: indicates if the hob is heating.
- Safety cut out facility: for safety reasons, heating stops after a preset time if not used (possible to customise).
- Energy consumption display: shows the electricity consumption of the last cooking process.

Installation

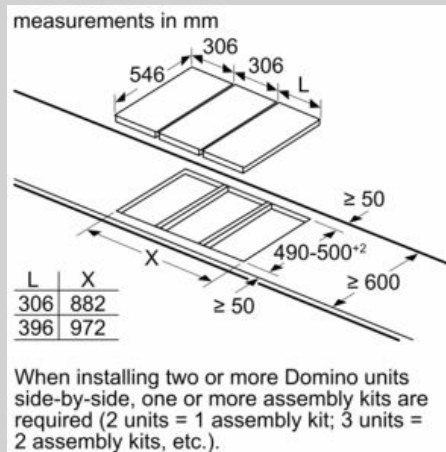
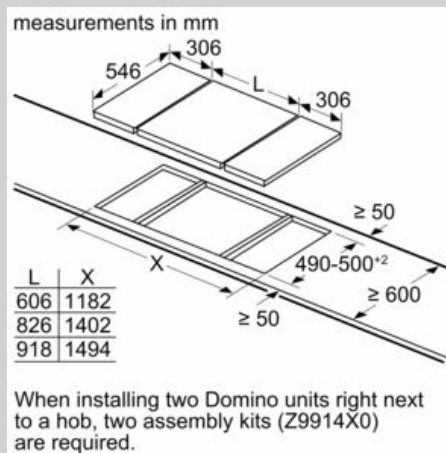
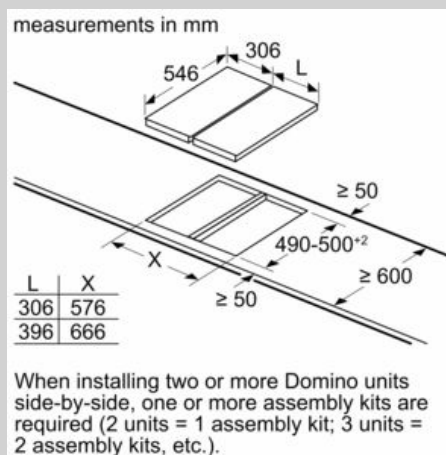
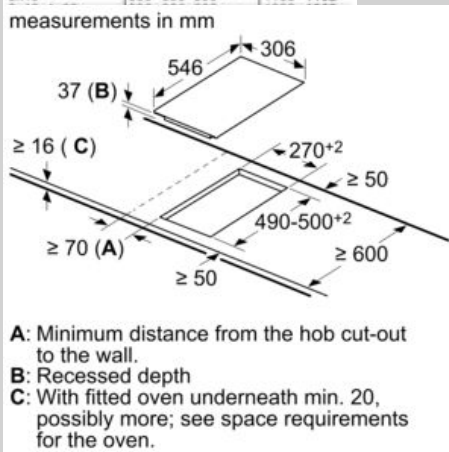
- Dimensions of the product (HxWxD mm): 37 x 306 x 546
- Required niche size for installation (HxWxD mm) : 37 x 270 x (490 - 500)
- Min. worktop thickness: 16 mm
- Connected load: 3.5 KW
- Power cord: 1 m, connected directly

Dimensioned drawings

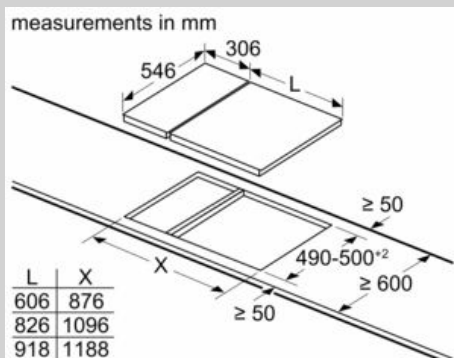
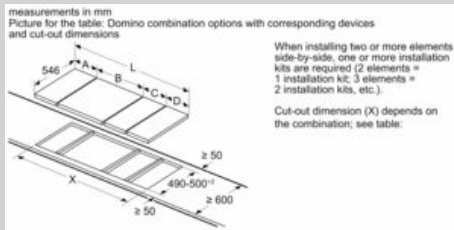


Domino combination options with corresponding appliance and cut-out dimensions

Width type:	30	40	60	70	80	90
Appliance width:	306	396	606	708	826	918
	A	B	C	D	L	X
2x30	306	306	-	-	612	576
1x30, 1x40	306	396	-	-	702	666
1x30, 1x60	306	606	-	-	912	876
1x30, 1x70*	306	708	-	-	1014	978
1x30, 1x80	306	826	-	-	1132	1096
1x30, 1x90	306	918	-	-	1224	1188
2x40	396	396	-	-	792	756
1x40, 1x60	396	606	-	-	1002	966
1x40, 1x70*	396	708	-	-	1104	1068
1x40, 1x80	396	826	-	-	1222	1186
1x40, 1x90	396	918	-	-	1314	1278
3x30	306	306	306	-	918	882
2x30, 1x40	306	306	396	-	1008	972
2x30, 1x60	306	306	606	-	1218	1182
2x30, 1x70*	306	306	708	-	1320	1284
2x30, 1x80	306	306	826	-	1438	1402
2x30, 1x90	306	306	918	-	1530	1494
1x30, 2x40	306	396	396	-	1098	1062
1x30, 1x40, 1x60	306	396	606	-	1308	1272
1x30, 1x40, 1x80	306	396	826	-	1528	1492
1x30, 1x40, 1x90	306	396	918	-	1620	1584
3x40	396	396	396	-	1188	1152



Dimensioned drawings



When installing a Domino unit right next to a hob, an assembly kit (Z9914X0) is required.

