

N 70, BUILT-IN WARMING DRAWER, 60 X 14 CM,
STAINLESS STEEL
N17HH11NOB



Optional accessories

Z11SZ00X0	SeamlessCombination mounting kit
Z11SZ60X0	SeamlessCombination 45 + 14cm

A 14cm high warming drawer that can link with a 45cm compact oven to fit perfectly into the 60 cm oven niche.

√ Installation with compact appliance – combine your drawer with any 45 cm appliance

Features

Technical Data

Built-in / Free-standing:	Built-in
Maximum number of plates:	12
Maximum number of espresso cups:	64
Dimensions:	140 x 596 x 548 mm
Dimensions of the packed product (HxWxD): ..	210 x 660 x 660 mm
Min. required niche size for installation (HxWxD):	.140 x 560 x 550 mm
EAN code:	4242004184614
Fuse protection:	10 A
Voltage:	220-240 V
Frequency:	60; 50 Hz
Plug type:	GB plug



N 70, BUILT-IN WARMING DRAWER, 60 X 14 CM,
STAINLESS STEEL
N17HH11NOB

Features

Design

- Can accommodate up to:
 - -12 plates
 - -64 espresso cups
- Temperature control in 4 levels: ca. 30°C - 80°C (glass surface temperature)
- Easy to clean toughened glass heating plate
- Elongated designed dials
- Bar handle

Programmes/functions

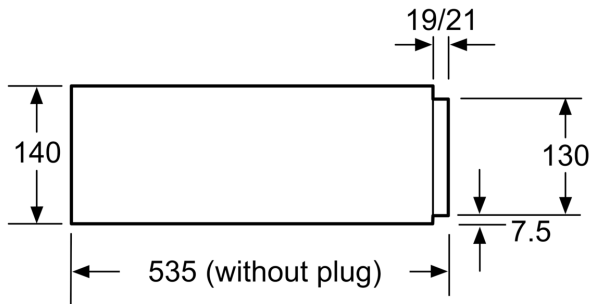
- 5 functions: dough proving thawing of delicate foods keeping drinks and food warm pre-warming of crockery gentle cooking

Technical information

- Cavity volume: 20 l
- Total connected load electric: 0.81 KW
- Nominal voltage: 220 - 240 V
- Loading up to 25 kg
- Power cord length 150 cm Cable length
- Appliance dimension (hxwx): 140 mm x 596 mm x 548 mm
- Niche dimension (hxwx): 140 mm x 560 mm - 568 mm x 550 mm
- Please refer to the dimensions provided in the installation manual

N 70, BUILT-IN WARMING DRAWER, 60 X 14 CM,
STAINLESS STEEL
N17HH11NOB

Dimensioned drawings



Compact ovens with an appliance height of 455 mm can be installed above a warming drawer. An intermediate floor is not required.

measurements in mm