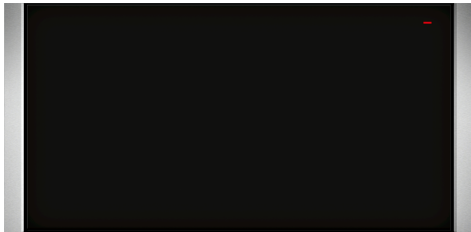


BUILT-IN WARMING DRAWER, 60 X 29 CM,
STAINLESS STEEL
N17HH20NOB



Optional accessories

Z11SZ80X0 SeamlessCombination 60 + 29cm

A warming drawer designed to be combined with a compatible 60cm high single oven to fit neatly into a standard double oven niche

√ Push & Pull – One gentle touch opens and closes your drawer.

Features

Technical Data

Built-in / Free-standing: Built-in
 Maximum number of plates: 40
 Maximum number of espresso cups: 192
 Dimensions: 290 x 596 x 548 mm
 Dimensions of the packed product (HxWxD): . 350 x 650 x 650 mm
 Min. required niche size for installation (HxWxD): .290 x 560 x 550 mm
 EAN code:4242004184645
 Fuse protection: 10 A
 Voltage: 220-240 V
 Frequency: 60; 50 Hz
 Plug type: GB plug



BUILT-IN WARMING DRAWER, 60 X 29 CM,
STAINLESS STEEL
N17HH20NOB

Features

Design

- Easy to clean toughened glass heating plate
- Elongated designed dials
- Push-Pull opening mechanism
- Can accommodate up to:
 - -40plates
 - -192 espresso cups
- Temperature control in 4 levels: ca. 30°C - 80°C (glass surface temperature)

Programmes/functions

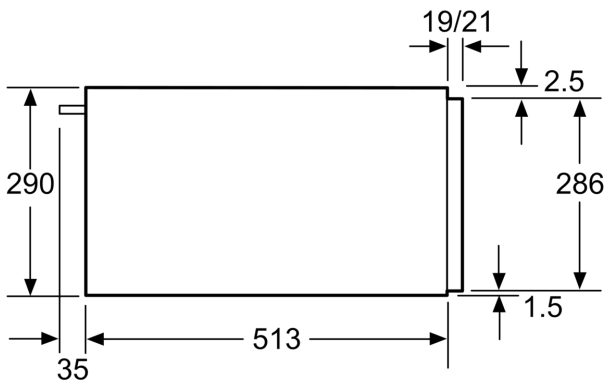
- 5 functions: dough proving thawing of delicate foods keeping drinks and food warm pre-warming of crockery gentle cooking

Technical information

- Cavity volume: 52 l
- Total connected load electric: 0.81 KW
- Nominal voltage: 220 - 240 V
- Loading up to 25 kg
- Power cord length 150 cm Cable length
- Appliance dimension (hxwx): 290 mm x 596 mm x 548 mm
- Niche dimension (hxwx): 290 mm x 560 mm - 568 mm x 550 mm
- Please refer to the dimensions provided in the installation manual

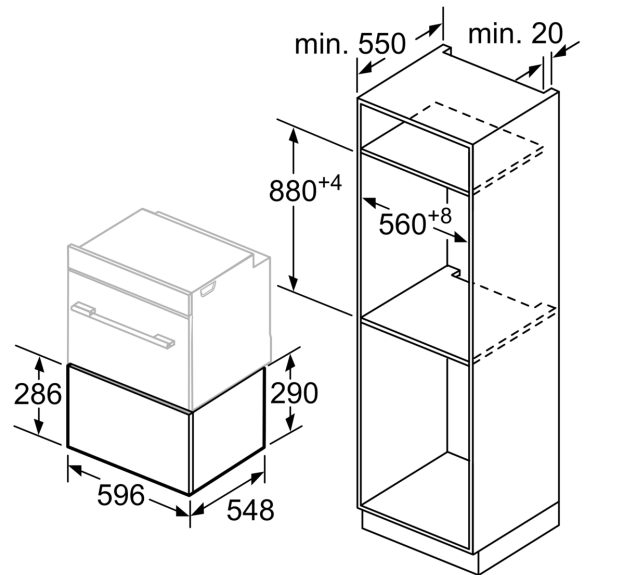
BUILT-IN WARMING DRAWER, 60 X 29 CM,
STAINLESS STEEL
N17HH20NOB

Dimensioned drawings



Ovens with an appliance height of 595 mm can be installed above a warming drawer. An intermediate floor is not required.

measurements in mm



measurements in mm