

N 50, BUILT-IN WARMING DRAWER, 60 X 14 CM,
GRAPHITE-GREY
N1AHA01G0B



A 14cm high warming drawer that can link with a 45cm compact oven to fit perfectly into the 60 cm oven niche.

- ✓ Push & Pull – One gentle touch opens and closes your drawer.
- ✓ Stepless temperature control - The warming drawer makes choosing easy with our stepless temperature control from 40°-80°C.
- ✓ Installation with compact appliance – combine your drawer with any 45 cm appliance

Features

Technical Data

Built-in / Free-standing: Built-in
 Maximum number of plates: 14
 Maximum number of espresso cups: 64
 Dimensions: 140 x 594 x 540 mm
 Dimensions of the packed product (HxWxD): . 210 x 660 x 660 mm
 Min. required niche size for installation (HxWxD): . 140 x 560 x 550 mm
 EAN code: 4242004262688
 Fuse protection: 6 A
 Voltage: 220-240 V
 Frequency: 50-60 Hz
 Plug type: GB plug
 Included accessories: 1 x Anti-slip mat



N 50, BUILT-IN WARMING DRAWER, 60 X 14 CM,
GRAPHITE-GREY
N1AHA01G0B

Features

Design

- Elongated designed dials
- User-friendly electronics: extremely easy and comfortable operation
- Cavity inner surface: stainless steel
- Push-Pull opening mechanism

Programmes/functions

- 4 Functions: keeping drinks and food warm, pre-warming of tableware, yeast dough proving, thawing of delicate foods
- Loading up to 15 kg
- Can accommodate up to:
 - -14 plates
 - -64 espresso cups

Accessories

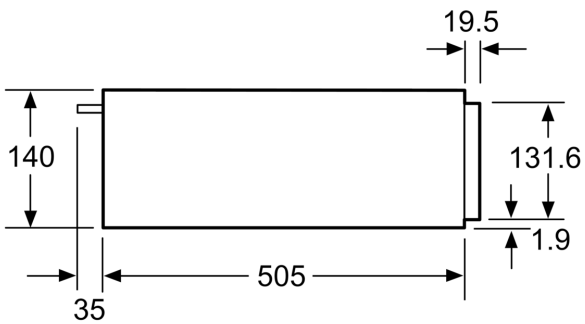
- 1 x Anti-slip mat

Performance/technical information

- Cavity volume: 23 l
- Power cord length 150 cm Cable length
- Total connected load electric: 0.4 KW
- Nominal voltage: 220 - 240 V
- Appliance dimension (hxwx): 140 mm x 594 mm x 540 mm
- Niche dimension (hxwx): 140 mm x 560 mm - 568 mm x 550 mm
- Please refer to the dimensions provided in the installation manual

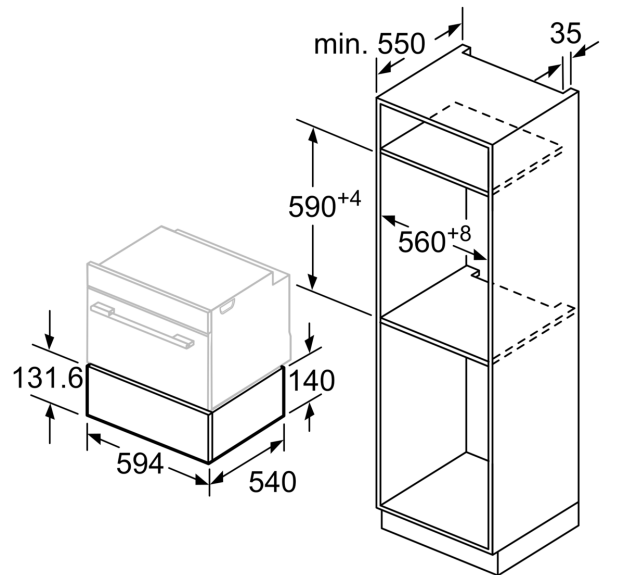
N 50, BUILT-IN WARMING DRAWER, 60 X 14 CM,
GRAPHITE-GREY
N1AHA01GOB

Dimensioned drawings



Compact ovens with an appliance height of 455 mm can be installed above a warming drawer. An intermediate floor is not required.

measurements in mm



measurements in mm