

N 50, BUILT-IN WARMING DRAWER, 60 X 29 CM,  
STAINLESS STEEL  
N1AHA02NOB



A warming drawer designed to be combined with a compatible 60cm high single oven to fit neatly into a standard double oven niche

- ✓ Push & Pull – One gentle touch opens and closes your drawer.
- ✓ Stepless temperature control - The warming drawer makes choosing easy with our stepless temperature control from 40°-80°C.

#### Features

##### Technical Data

Construction type: ..... Built-in  
 Maximum number of plates: .....30  
 Maximum number of espresso cups: ..... 128  
 Dimensions: ..... 290 x 594 x 540 mm  
 Dimensions of the packed product (HxWxD): . 210 x 660 x 660 mm  
 Min. required niche size for installation (HxWxD): .290 x 560 x 550 mm  
 EAN code: .....4242004222507  
 Fuse protection: .....6 A  
 Voltage: ..... 220-240 V  
 Frequency: ..... 60; 50 Hz  
 Plug type: ..... GB plug  
 Included accessories: ..... 1 x Anti-slip mat



*N 50, BUILT-IN WARMING DRAWER, 60 X 29 CM,  
STAINLESS STEEL  
N1AHA02NOB*

## Features

### Design

- Cavity inner surface: stainless steel
- Elongated designed dials
- Push-Pull opening mechanism
- Can accommodate up to:
  - -30plates
  - -128 espresso cups

### Programmes/functions

- 4 Functions: keeping drinks and food warm, pre-warming of tableware, yeast dough proving, thawing of delicate foods

### Accessories

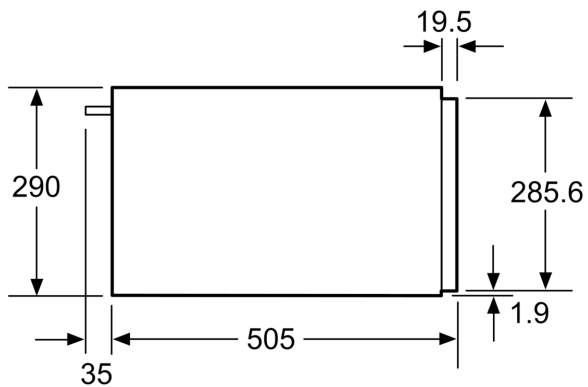
- 1 x Anti-slip mat

### Technical information

- Cavity volume: 58 l
- Loading up to 15 kg
- Power cord length 150 cm Cable length
- Total connected load electric: 0.4 KW
- Nominal voltage: 220 - 240 V
- Appliance dimension (hxwx): 290 mm x 594 mm x 540 mm
- Niche dimension (hxwx): 290 mm x 560 mm - 568 mm x 550 mm
- Please refer to the dimensions provided in the installation manual

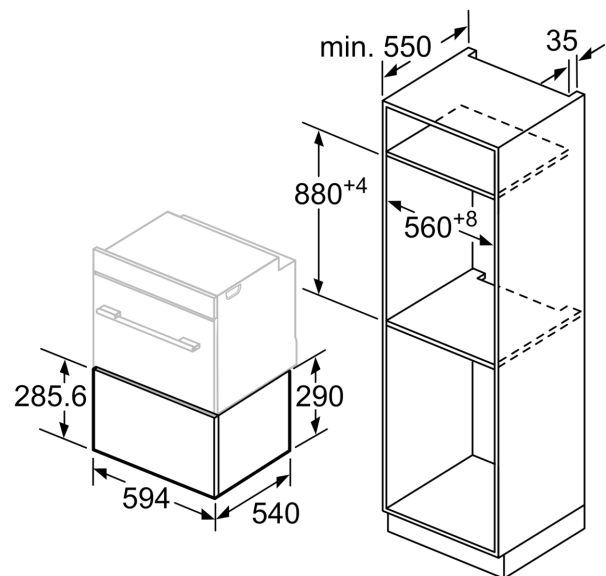
N 50, BUILT-IN WARMING DRAWER, 60 X 29 CM,  
 STAINLESS STEEL  
 N1AHA02NOB

## Dimensioned drawings



Ovens with an appliance height of 595 mm can be installed above a warming drawer. An intermediate floor is not required.

measurements in mm



measurements in mm