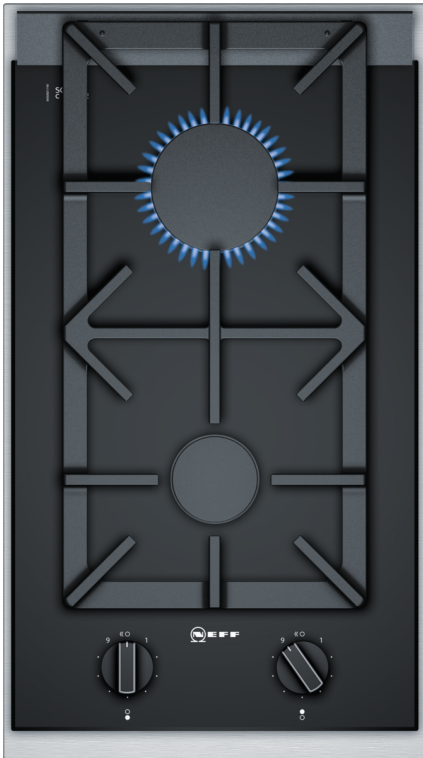


N 90, DOMINO GAS HOB, 30 CM, CERAMIC, BLACK
N23TS29N0



Optional accessories

Z2402X0	Small pot support
Z2480X0	Simmer plate
Z9914X0	Connecting strip

The gas hob with heat-resistant ceramic glass surface and adjustable FlameSelect control.

- ✓ Ceramic Glass Surface - extremely easy-to-clean surface.
- ✓ FlameSelect® – Gain ultimate control of your flame.
- ✓ Pan Supports - continuous cast-iron pan supports for maximum stability and cooking convenience.
- ✓ Biomethane ready – Power your hob with renewable biomethane gas.
- ✓ Sword Knobs - a better feel and easier to operate, the new knob in an attractive design.

Features

Technical Data

Product name/family:	Vario/Domino gas hob w control
Product name/family:	Vario/Domino gas hob w control
Built-in / Free-standing:	Built-in
Built-in / Free-standing:	Built-in
Energy input:	Gas
Energy input:	Gas
Number of cooking zones:	2
Number of cooking zones:	2
Min. required niche size for installation (HxWxD):	45 x 270 x 490-500 mm
Min. required niche size for installation (HxWxD):	45 x 270 x 490-500 mm
Width of the appliance:	306 mm
Width of the appliance:	306 mm
Dimensions:	47 x 306 x 546 mm
Dimensions:	47 x 306 x 546 mm
Dimensions of the packed product (HxWxD): .	190 x 400 x 650 mm
Dimensions of the packed product (HxWxD): .	190 x 400 x 650 mm
Net weight:	6.7 kg
Net weight:	6.7 kg
Gross weight:	7.8 kg
Gross weight:	7.8 kg
Residual heat indicator:	without
Residual heat indicator:	without
Location of control panel:	Front
Location of control panel:	Front
Basic surface material:	Ceramic
Basic surface material:	Ceramic
Color of surface:	Black, Stainless steel
Color of surface:	Black, Stainless steel
Color of frame:	Black, Stainless steel
Color of frame:	Black, Stainless steel
Length electrical supply cord:	100.0 cm
Length electrical supply cord:	100.0 cm
EAN code:	4242004268741
EAN code:	4242004268741
Gas connection rating:	4700 W
Gas connection rating:	4700 W
Fuse protection:	3 A
Fuse protection:	3 A
Voltage:	220-240 V
Voltage:	220-240 V
Frequency:	50; 60 Hz
Frequency:	50; 60 Hz



N 90, DOMINO GAS HOB, 30 CM, CERAMIC, BLACK
N23TS29N0

Features

Design

- ceramic glass surface, black
- Bevelled design, stainless steel
- black cast iron pan supports with protective rubber feet
- Low profile burner: elegant burner design

Usage convenience

- FlameSelect with 9 steps: precisely control and adjust the flame in nine defined levels.
- Pan supports dishwasher safe: clean without effort in the dishwasher.
- Design co-ordinated control dials: easily access dials in front with strong grip for effortless turning.
- Ignition via control dials: just push and turn the dials to ignite the flame.

Burners and power

- 2 burner hob
- Center front: Standard burner up to 1.9 KW (depending on gas type)
- Center rear: High speed burner up to 2.8 KW (depending on gas type)

Safety

- Flame failure safety device: prevents unwanted gas flow when flame goes out.

Installation (gas types & measurements)

- Usable for: Nat gas L/LL G25/20mbar(DE)
- NG H/E 20mbar, E+ 20/25mbar Natural gas H 25 mbar (HU) Natural gas L 25 mbar (NL) Liquid gas G30,31 28-30/37mbar Liquid gas G30 37 mbar (PL) Liquid gas 50 mbar
- Factory set for connection to mains gas
- Nozzle set for LPG jets (28-30/37mbar) included. Nozzles for all other gas types can be ordered via the customer service. For nozzle change, please contact the customer service.
- Dimensions of the product (HxWxD mm): 47 x 306 x 546
- Required niche size for installation (HxWxD mm) : 45 x 270 x (490 - 502)
- Min. worktop thickness: 30 mm
- Power cord: 1 m
- Connected load: 4.7 KW

N 90, DOMINO GAS HOB, 30 CM, CERAMIC, BLACK
N23TS29N0

Dimensioned drawings

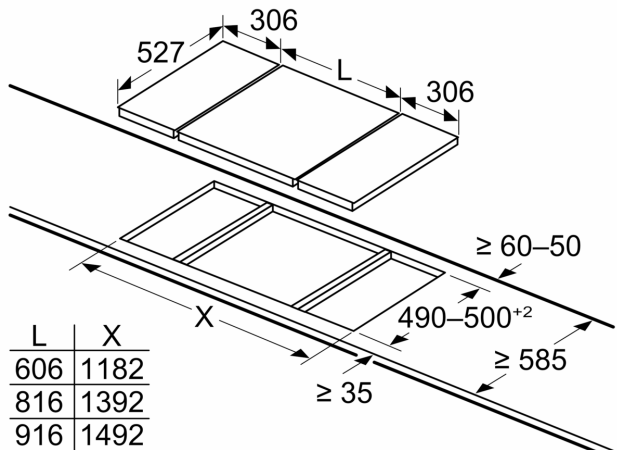
measurements in mm
Domino combination options with
corresponding appliance and cut-out dimensions

Width category:
Appliance width:

	A	B	C	D	L	X		
2x30	306	306	-	-	-	-	612	576
1x30, 1x40	306	396	-	-	-	-	702	666
1x30, 1x60	306	606	-	-	-	-	912	876
1x30, 1x70*	306	708	-	-	-	-	1014	980
1x30, 1x80	306	826	-	-	-	-	1132	1086
1x30, 1x90	306	918	-	-	-	-	1224	1186
2x40	396	396	-	-	-	-	792	756
1x40, 1x60	396	606	-	-	-	-	1002	966
1x40, 1x70*	396	708	-	-	-	-	1104	1070
1x40, 1x80	396	826	-	-	-	-	1222	1176
1x40, 1x90	396	918	-	-	-	-	1314	1276
3x30	306	306	306	-	-	-	918	882
2x30, 1x40	306	306	396	-	-	-	1008	972
2x30, 1x60	306	306	606	-	-	-	1218	1182
2x30, 1x70*	306	306	708	-	-	-	1320	1286
2x30, 1x80	306	306	826	-	-	-	1438	1392
2x30, 1x90	306	306	918	-	-	-	1530	1492
1x30, 2x40	306	396	396	-	-	-	1098	1062
1x30, 1x40, 1x60	306	396	606	-	-	-	1308	1272
1x30, 1x40, 1x70*	306	396	708	-	-	-	1410	1376
1x30, 1x40, 1x80	306	396	826	-	-	-	1528	1482
1x30, 1x40, 1x90	306	396	918	-	-	-	1620	1582
2x40, 1x60	396	396	606	-	-	-	1398	1362
4x30	306	306	306	306	-	-	1224	1188
3x30, 1x40	306	306	306	396	-	-	1314	1278
1x30, 1x75	306	750	-	-	-	-	1056	1020
1x40, 1x75	396	750	-	-	-	-	1146	1110
2x30, 1x75	306	306	750	-	-	-	1362	1326
1x30, 1x40, 1x75	306	396	750	-	-	-	1452	1416

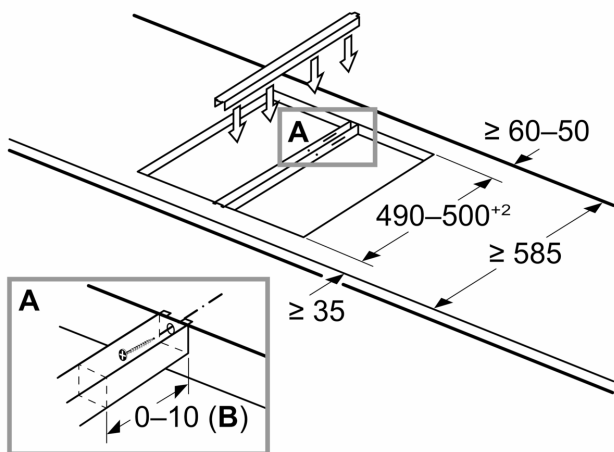
* Not possible with 70 cm induction hob

Measurements in mm



When installing two Domino units right next to a hob, two assembly kits (HEZ394301) are required

Measurements in mm
Assembly kit (HEZ394301) for Domino



B: Dependent on the cut-out depth

