

N 70, BUILT-IN WARMING DRAWER, 60 X 29 CM,
FLEX DESIGN
N39HA11Y1B



Preheat plates and cups, so that dishes stay hot longer. Keep warm, for keeping cooked dishes warm.

- ✓ Slow Cook Programme: for delicious and tender meat, poultry and vegetables packed with vitamins.
- ✓ Plate Warmer: keep food at the perfect temperature, from kitchen to table.
- ✓ Cup Warmer: prepare your cups for coffee and tea!
- ✓ Push & Pull: open and close your drawer with a gentle tap on a seamless surface.

Optional accessories

Z1365WX0	Wireless food thermometer
Z9029AY0	FlexDesign AG 29 WD 29
Z9029BY0	FlexDesign BB 29 WD 29
Z9029DY0	FlexDesign DB 29 WD 29
Z9029MY0	FlexDesign MS 29 WD 29
Z990AAY0	SC FlexDesign AG 90 WD 29 + 60
Z990ABY0	SC FlexDesign BB 90 WD 29 + 60
Z990ADY0	SC FlexDesign DB 90 WD 29 + 60
Z990AMY0	SC FlexDesign MS 90 WD 29 + 60

Installation accessories

Z9029AY0	FlexDesign AG 29 WD 29
Z9029BY0	FlexDesign BB 29 WD 29
Z9029DY0	FlexDesign DB 29 WD 29
Z9029MY0	FlexDesign MS 29 WD 29
Z990AAY0	SC FlexDesign AG 90 WD 29 + 60
Z990ABY0	SC FlexDesign BB 90 WD 29 + 60
Z990ADY0	SC FlexDesign DB 90 WD 29 + 60
Z990AMY0	SC FlexDesign MS 90 WD 29 + 60

Features

Technical Data

Built-in / Free-standing:	Built-in
Maximum number of espresso cups:	192
Dimensions:	290x594x518 mm
Dimensions of the packed product (HxWxD):	400x650x700 mm
Required niche size for installation (HxWxD): ..	290 x 560 x 550 mm
EAN code:	4242004265405
Fuse protection:	10 A
Voltage:	220-240 V
Frequency:	50; 60 Hz
Plug type:	GB plug



N 70, BUILT-IN WARMING DRAWER, 60 X 29 CM,
FLEX DESIGN
N39HA11Y1B

Features

- Can accommodate up to:
 - -40 plates
 - -192 espresso cups

Design

- Flex Design
- Touch key operation
- Push-Pull opening mechanism
- User-friendly electronics: extremely
- easy and comfortable operation
- In case of installation under the worktop, installation accessory spare part no. 9001698838 is needed.

Programmes/functions

- Temperature control in 4 levels: ca. 30°C - 80°C (glass surface temperature)
- Favourites button - manage via Home Connect app
- Multifunctional warming drawer with the heating functions: Low temperature cooking, Keep warm, plate warming, cup warming
- Easy to clean toughened glass heating plate

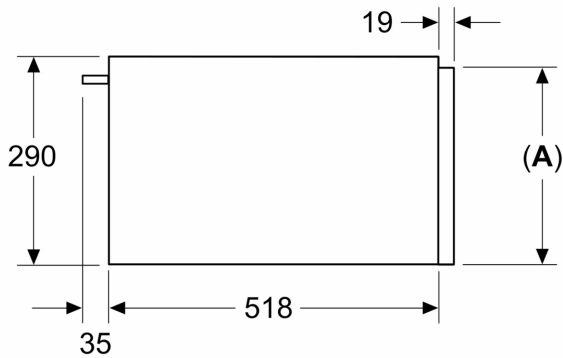
Performance/technical information

- Total connected load electric: 0.82 KW
- Nominal voltage: 220 - 240 V
- Cavity volume: 54 l
- Loading up to 25 kg
- Appliance dimension (hxwx): 290 mm x 594 mm x 518 mm
- Niche dimension (hxwx): 290 mm x 560 mm - 568 mm x 550 mm
- "For-details-on-installation-and-ventilation requirements – please refer to the installation manual prior to fitting."

N 70, BUILT-IN WARMING DRAWER, 60 X 29 CM,
 FLEX DESIGN
 N39HA11Y1B

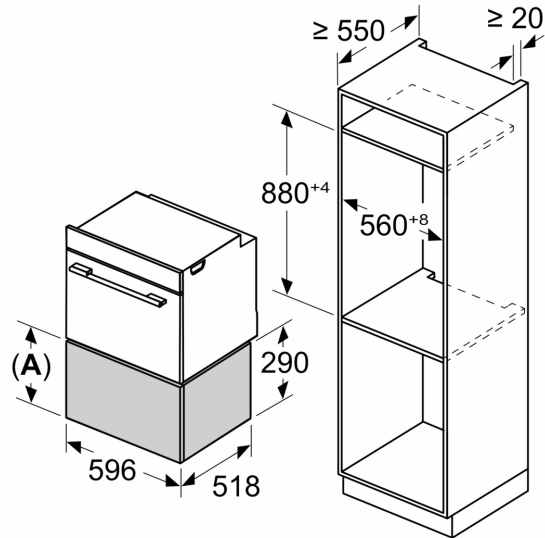
Dimensioned drawings

Measurements in mm



A: 287.5 mm
 Ovens with appliance height of 595 mm can be installed above the warming drawer without an intermediate floor

Measurements in mm



A: 287.5 mm