

N 70, MODULAR TEPPAN YAKI, 40 CM  
N74TDO0N0



✓ Touch Control – Control your hob with a simple touch.

#### Features

##### Technical Data

Product name/family: ..... Vario/Domino Teppan Yaki  
 Built-in / Free-standing: ..... Built-in  
 Energy input: ..... Electric  
 Type of control: ..... Electronic  
 Grill grating material: ..... Not applicable  
 Min. required niche size for installation (HxWxD): ..... 90 x x mm  
 Width of the appliance: ..... 396 mm  
 Dimensions: ..... 90 x 396 x 546 mm  
 Dimensions of the packed product (HxWxD): . 230 x 480 x 610 mm  
 Net weight: ..... 10.0 kg  
 Gross weight: ..... 12.1 kg  
 Residual heat indicator: ..... Separate  
 Location of control panel: ..... Front  
 Basic surface material: ..... Not applicable  
 Color of surface: ..... Stainless steel, Stainless steel  
 Color of frame: ..... Stainless steel  
 Length electrical supply cord: ..... 100.0 cm  
 EAN code: ..... 4242004188117  
 Fuse protection: ..... 13 A  
 Voltage: ..... 220-240 V  
 Frequency: ..... 60; 50 Hz  
 Included accessories: ..... 2 x spatula



#### Included accessories

2 x spatula

#### Optional accessories

Z9914X0 Connecting strip

## N 70, MODULAR TEPPAN YAKI, 40 CM N74TDO0N0

### Features

#### Flexibility of cooking zones

- Big stainless steel roast area.
- Frying area can be heated complete or half-way.
- Cooking zone front middle: 292-344 mm, 0.95 KW

#### Usage convenience

- TouchControl: directly control the power with imprinted touch bar.
- Variable 17-stage power settings for each zone: precisely adapt the heat with 17 power levels (9 main levels and 8 intermediate levels).
- Keep warm function: Keep Warm Function: keep dishes warm at preset low power level.
- LED timer for each zone with switch off function and acoustic signal
- : an alarm sounds at the end of the time set (e.g. for pasta).
- Count up timer
- : shows how much time has passed since starting the timer (e.g. for potatoes).
- Thermostat can be set between 160-240 °C in steps of 10° C.
- Special level for keeping warm (70°C).
- Special level for cleaning (40°C).
- Display of the heat up phase.

#### Time saving & efficiency

- ReStart function: in case of unintentional switch-off, this feature restores all previous settings by switching on the hob again within 4 seconds.

#### Design

- Ceramic glass on stainless steel trim
- Removable black glass lid.

#### Safety

- 2 stage residual heat indicators: indicates which cooking zones are still hot or warm.
- Control panel lock: prevent unintended activation of the hob.
- Control panel suspension: wipe overboiled liquids without unintentionally changing settings (blocking all touch buttons for 30 seconds).
- Main switch: switch off all cooking zones at the touch of a button.
- Power on indicator light: indicates if the hob is heating.
- Safety cut out facility: for safety reasons, heating stops after a preset time if not used (possible to customise).
- Energy consumption display: shows the electricity consumption of the last cooking process.

#### Installation

- Dimensions of the product (HxWxD mm): 90 x 396 x 546
- Required niche size for installation (HxWxD mm) : 90 x 360 x (490 - 500)
- Min. worktop thickness: 30 mm
- Connected load: 1.9 KW
- Power cord: 1 m, connected directly

#### Accessories

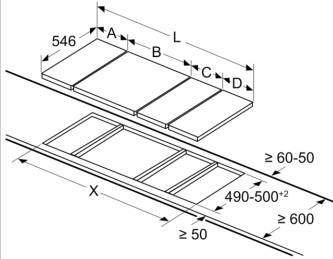
- spatula included

N 70, MODULAR TEPPAN YAKI, 40 CM  
N74TDO0N0

Dimensioned drawings

measurements in mm

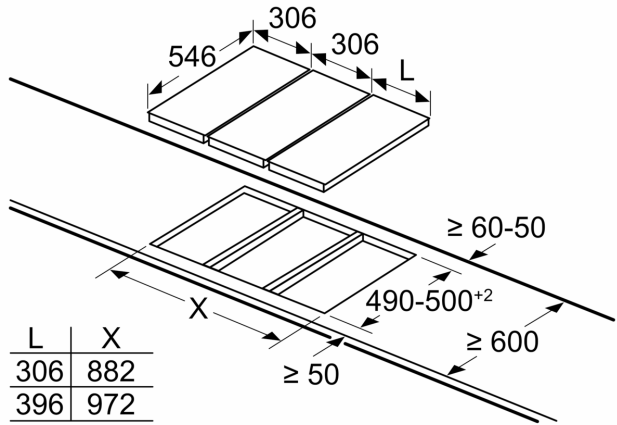
Picture for the table: Domino combination options with corresponding devices and cut-out dimensions



When installing two or more elements side-by-side, one or more installation kits are required (2 elements = 1 installation kit; 3 elements = 2 installation kits, etc.).

Cut-out dimension (X) depends on the combination; see table:

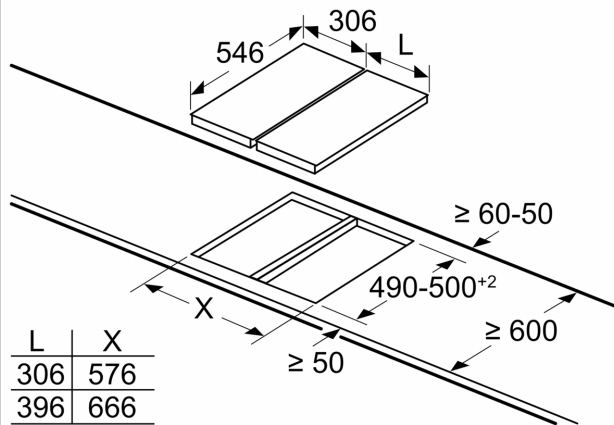
measurements in mm



L	X
306	882
396	972

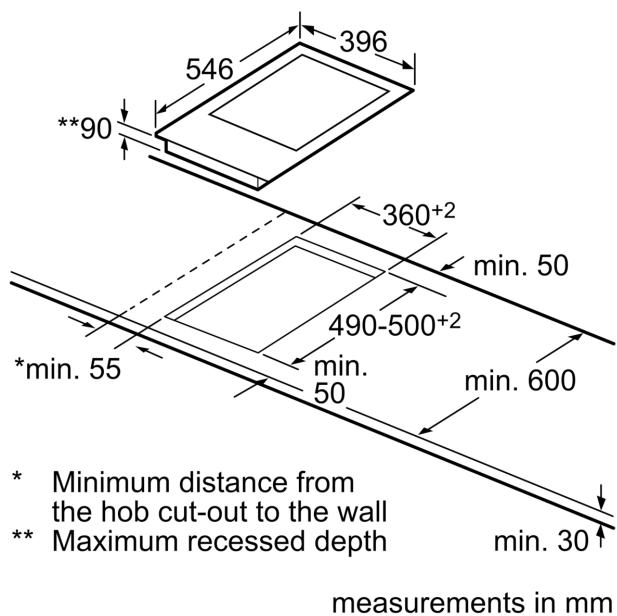
When installing two or more Domino units side-by-side, one or more assembly kits are required (2 units = 1 assembly kit; 3 units = 2 assembly kits, etc.).

measurements in mm



L	X
306	576
396	666

When installing two or more Domino units side-by-side, one or more assembly kits are required (2 units = 1 assembly kit; 3 units = 2 assembly kits, etc.).



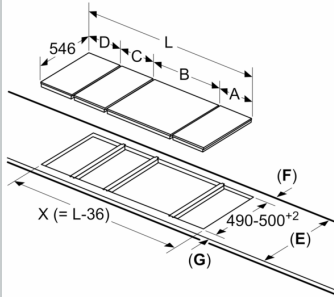
\* Minimum distance from the hob cut-out to the wall

\*\* Maximum recessed depth

measurements in mm

## Dimensioned drawings

measurements in mm  
Domino combination options with  
corresponding appliance and cut-out  
dimensions (see table)



E	F	G
585-600	50	≥ 35
> 600	≥ 50	≥ 50

When installing several elements side by side,  
several assembly kits are also required.

Cut-out dimensions (X) depending on  
the combination, see table:

Domino combination options with  
corresponding appliance and cut-out dimensions

Width type:           30 40 60 70 80 90  
Appliance width:   306 396 606 708 826 918

	A	B	C	D	L	X
2x30	306	306	-	-	-	612 <b>576</b>
1x30, 1x40	306	396	-	-	-	702 <b>666</b>
1x30, 1x60	306	606	-	-	-	912 <b>876</b>
1x30, 1x70*	306	708	-	-	-	1014 <b>978</b>
1x30, 1x80	306	826	-	-	-	1132 <b>1096</b>
1x30, 1x90	306	918	-	-	-	1224 <b>1188</b>
2x40	396	396	-	-	-	792 <b>756</b>
1x40, 1x60	396	606	-	-	-	1002 <b>966</b>
1x40, 1x70*	396	708	-	-	-	1104 <b>1068</b>
1x40, 1x80	396	826	-	-	-	1222 <b>1186</b>
1x40, 1x90	396	918	-	-	-	1314 <b>1278</b>
3x30	306	306	306	-	-	918 <b>882</b>
2x30, 1x40	306	306	396	-	-	1008 <b>972</b>
2x30, 1x60	306	306	606	-	-	1218 <b>1182</b>
2x30, 1x70*	306	306	708	-	-	1320 <b>1284</b>
2x30, 1x80	306	306	826	-	-	1438 <b>1402</b>
2x30, 1x90	306	306	918	-	-	1530 <b>1494</b>
1x30, 2x40	306	396	396	-	-	1098 <b>1062</b>
1x30, 1x40, 1x60	306	396	606	-	-	1308 <b>1272</b>
1x30, 1x40, 1x80	306	396	826	-	-	1528 <b>1492</b>
1x30, 1x40, 1x90	306	396	918	-	-	1620 <b>1584</b>
3x40	396	396	396	-	-	1188 <b>1152</b>
2x40, 1x60	396	396	606	-	-	1398 <b>1362</b>
1x30, 1x40, 1x70*	306	396	708	-	-	1410 <b>1374</b>
4x30	306	306	306	306	-	1224 <b>1188</b>
3x30, 1x40	306	306	306	396	-	1314 <b>1278</b>
2x30, 2x40	306	306	396	396	-	1404 <b>1368</b>
1x30, 3x40	306	396	396	396	-	1494 <b>1458</b>

\* Not possible with 70 cm induction hob