

N 70, BUILT-IN MICROWAVE OVEN,  
GRAPHITE-GREY  
NL4GR31G1B



Built-in microwave for upper cabinets

- ✓ 3.7-inch Full Touch TFT Display: intuitive navigation for easy use and complete control.
- ✓ Automatic Meal Settings: preselected programmes to cook a wide variety of dishes with ease.
- ✓ Microwave - high wattage and low effort for quick meals
- ✓ Inverter Technology: gradual, even heating for your meals.
- ✓ Easy Clean – easy cleaning within a couple of minutes

Features

Technical Data

Type of micro-wave oven: .....	MW+Grill function
Type of control: .....	Electronic
Dimensions: .....	382 x 596 x 318 mm
Cavity dimensions: .....	220 x 350 x 270 mm
Length electrical supply cord: .....	175.0 cm
Net weight: .....	18.8 kg
Gross weight: .....	20.9 kg
EAN code: .....	4242004266815
Maximum micro-wave power: .....	900 W
Connection Rating: .....	1990 W
Fuse protection: .....	10 A
Voltage: .....	220-240 V
Frequency: .....	50; 60 Hz
Plug type: .....	GB plug
Included accessories: .....	1 x grid, 1 x Glass tray



N 70, BUILT-IN MICROWAVE OVEN,  
GRAPHITE-GREY  
NL4GR31G1B

#### Features

- Intelligent microwave inverter technology: For optimised results maximum output power will be regulated to 600 W when used in longer operation for gentler cooking.

#### Design

- Graphite-Grey Edition
- Touch control
- Touch key operation
- stainless steel, Ceramic glass base cavity with Ceramic glass base, stainless steel

#### Features

- User-friendly electronics: extremely
- easy and comfortable operation
- Start button
- Door contact switch

#### Programmes/functions

- Grill and microwave power levels 90 W, 180 W, 360 W combinable
- 90-180-360-600-900 Watts and the following options 180 W, 360 W, 600 W, 90 W, 900 W
- 1.3 KW grill function
- Number of automatic programmes: 10 PC
- LED light
- Electronic clock timer
- Left hinged door
- Cooling fan

#### Cleaning

- EasyClean
- Grill with selfclean coating

#### Accessories

- 1 x Glass tray, 1 x grid

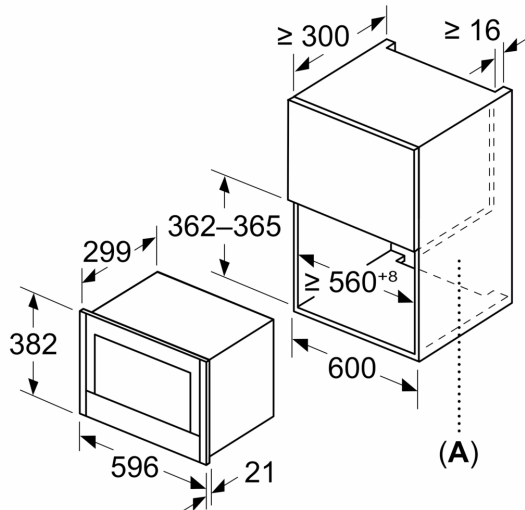
#### Performance/technical information

- Nominal voltage: 220 - 240 V
- Total connected load electric: 1.99 KW
- Cavity volume: 21 l
- Appliance dimension (hxwxh): 382 mm x 596 mm x 318 mm
- Niche dimension (hxwxh): 362 mm - 382 mm x 560 mm - 568 mm x 300 mm
- Frameless installation recommended for wall units, but also suitable for tall housing
- Please refer to the dimensions provided in the installation manual

N 70, BUILT-IN MICROWAVE OVEN,  
GRAPHITE-GREY  
NL4GR31G1B

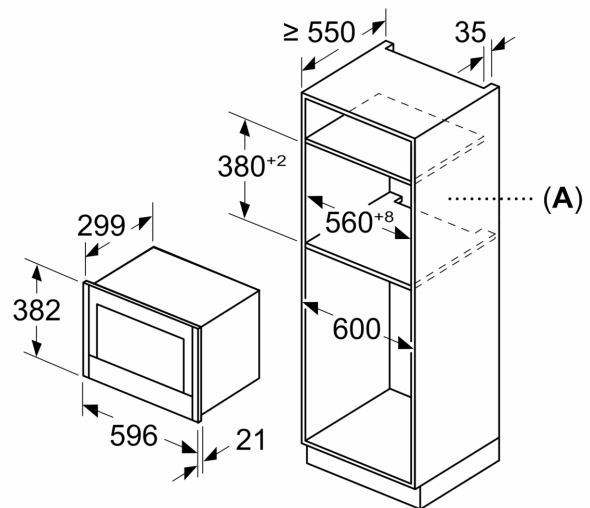
Dimensioned drawings

Measurements in mm



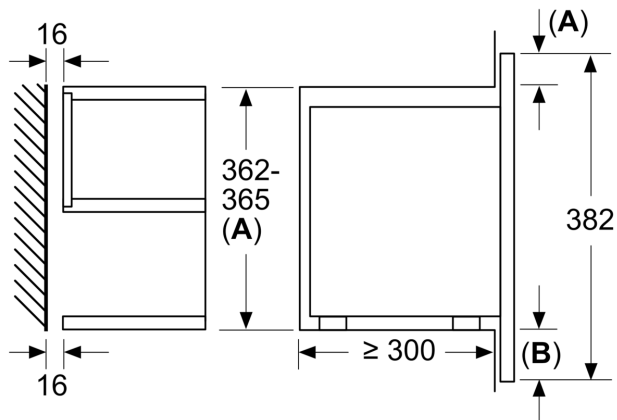
A: Back wall open

Measurements in mm



A: Back wall open

measurements in mm



A: Overhang at top:  
Recess 362: 6 mm  
Recess 365: 3 mm  
B: Overhang at bottom: 14 mm