

N 70, BUILT-IN MICROWAVE, FLEX DESIGN  
NR9WR21Y1B



Built-in microwave for upper cabinets

- ✓ 3.7-inch Full Touch TFT Display: intuitive navigation for easy use and complete control.
- ✓ Flex Design: choose a finishing touch to match your kitchen's aesthetic – and change it up later!
- ✓ Seamless Combination with Flex Design: watch your favourite appliances blend together seamlessly.
- ✓ Automatic Meal Settings: preselected programmes to cook a wide variety of dishes with ease.
- ✓ Microwave - high wattage and low effort for quick meals

Features

Technical Data

Type of micro-wave oven: ..... MW only  
 Type of control: ..... Electronic  
 Dimensions: ..... 382x596x318 mm  
 Cavity dimensions: ..... 220 x 350 x 270 mm  
 Length electrical supply cord: ..... 175 cm  
 Net weight: ..... 17.0 kg  
 Gross weight: ..... 18.9 kg  
 EAN code: ..... 4242004266662  
 Maximum micro-wave power<sup>1</sup>: ..... 900 W  
 Connection Rating: ..... 1220 W  
 Fuse protection: ..... 10 A  
 Voltage: ..... 220-240 V  
 Frequency: ..... 50; 60 Hz  
 Plug type: ..... GB plug



Optional accessories

Z9038AY0	FlexDesign AG 38 MW 38
Z9038BY0	FlexDesign BB 38 MW 38
Z9038DY0	FlexDesign DB 38 MW 38
Z9038MY0	FlexDesign MS 38 MW 38
Z9098AY0	SC FlexDesign AG 98 60 + MW 38
Z9098BY0	SC FlexDesign BB 98 60 + MW 38
Z9098DY0	SC FlexDesign DB 98 60 + MW 38
Z9098MY0	SC FlexDesign MS 98 60 + MW 38

Installation accessories

Z9038AY0	FlexDesign AG 38 MW 38
Z9038BY0	FlexDesign BB 38 MW 38
Z9038DY0	FlexDesign DB 38 MW 38
Z9038MY0	FlexDesign MS 38 MW 38
Z9098AY0	SC FlexDesign AG 98 60 + MW 38
Z9098BY0	SC FlexDesign BB 98 60 + MW 38
Z9098DY0	SC FlexDesign DB 98 60 + MW 38
Z9098MY0	SC FlexDesign MS 98 60 + MW 38

<sup>1</sup> Intelligent inverter technology: maximum output power will be regulated to 600 W when used in longer operation

## N 70, BUILT-IN MICROWAVE, FLEX DESIGN NR9WR21Y1B

### Features

- Number of automatic programmes: 7 PC
- 3 defrost and 4 cooking programmes in microwave function

### Design

- User-friendly electronics: extremely
- easy and comfortable operation
- Flex Design
- Touch control With steel trim
- Touch key operation
- stainless steel, Ceramic glass base
- Frameless installation recommended for wall units, but also suitable for tall housing

### Features

- Start button
- Door contact switch

### Programmes/functions

- 90-180-360-600-900 Watts and the following options 180 W, 360 W, 600 W, 90 W, 900 W
- Intelligent microwave inverter technology: For optimised results maximum output power will be regulated to 600 W when used in longer operation for gentler cooking.
- LED light
- Electronic clock timer
- Right hinged door
- Cooling fan

### Cleaning

- EasyClean

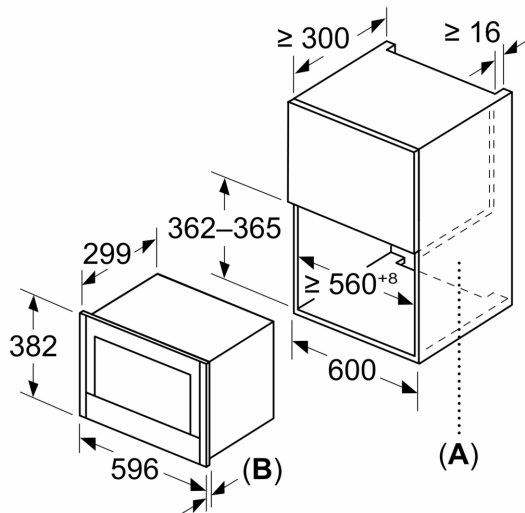
### Performance/technical information

- Nominal voltage: 220 - 240 V
- Total connected load electric: 1.22 KW
- Cavity volume: 21 l
- Appliance dimension (hxwx): 382 mm x 596 mm x 318 mm
- Niche dimension (hxwx): 362 mm - 382 mm x 560 mm - 568 mm x 300 mm
- "For-details-on-installation-and-ventilation requirements – please refer to the installation manual prior to fitting."

N 70, BUILT-IN MICROWAVE, FLEX DESIGN  
NR9WR21Y1B

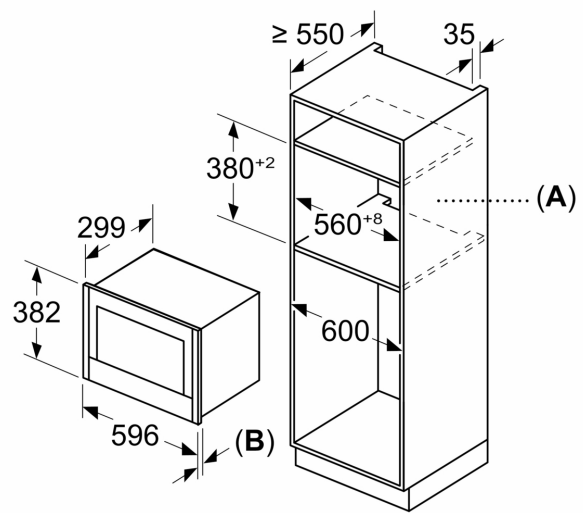
Dimensioned drawings

Measurements in mm



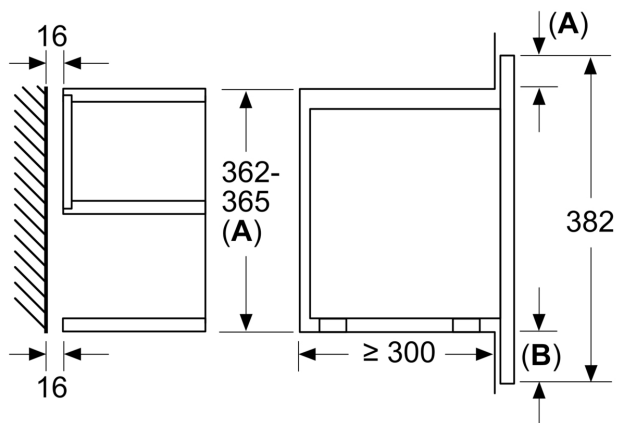
**A:** Back wall open  
**B:** 22.6 mm

Measurements in mm



**A:** Back wall open  
**B:** 22.6 mm

measurements in mm



**A:** Overhang at top:  
Recess 362: 6 mm  
Recess 365: 3 mm  
**B:** Overhang at bottom: 14 mm