

N 50, FULLY-INTEGRATED DISHWASHER, 60 CM,
VARIABLE HINGE
S195HCX17G



Optional accessories

Z7710X0	inlet and outlet hose extension
Z780BI01	decorative strips stainless steel 81,5cm
Z7860X3	Stainless steel protection set 81,5 cm
Z7863X0	Cutlery basket
Z788BI00	Connection rail for divided furniture

The Vario Hinge dishwasher with cutlery drawer that's flexible to load and offers the comfort of door opening with a light push, fits low and high built-in situations.

- ✓ Vario Hinge – Install your dishwasher almost anywhere.
- ✓ Flex 2 Baskets – Flexible baskets, Rack Matic and Flex Cutlery Drawer offers easy loading solutions
- ✓ Home Connect – Add your dishwasher to your home network and enjoy the infinite possibilities of connected services
- ✓ Gap Illumination – Tells you when a dishwasher cycle is running.
- ✓ Door Open Assist – Just push the door gently to open.

Features

Technical Data

Energy Efficiency Class ¹ :	C
Energy Consumption for 100 cycles Eco Programme ² : 75 kWh/100 cycles	
Maximum number of place settings:	14
The water consumption of the eco programme in liters per cycle: 9,0 l	
Programme duration ³ :	4:55 h
Airborne acoustical noise emissions :	42 dB(A) re 1pW
Airborne acoustical noise emission class:	B
Built-in / Free-standing:	Built-in
Height of removable worktop:	0 mm
Required niche size for installation (HxWxD): 815-875 x 600 x 550 mm	
Depth with open door 90 degree:	1150 mm
Adjustable feet:	Yes - all from front
Maximum adjustability feet:	60 mm
Adjustable plinth:	Both horizontal and vertical
Net weight:	35.6 kg
Gross weight:	38.0 kg
Connection Rating:	2400 W
Fuse protection:	10 A
Voltage:	220-240 V
Frequency:	50; 60 Hz
Length electrical supply cord:	175 cm
Plug type:	GB plug
Length inlet hose:	165 cm
Length outlet hose:	190 cm
EAN code:	4242004291183
Installation typology:	Full-integrated



¹ Scale of Energy Efficiency Classes from A to G
² Energy consumption in kWh per 100 cycles (in programme Eco 50 °C)
³ Duration of programme Eco 50 °C

N 50, FULLY-INTEGRATED DISHWASHER, 60 CM,
VARIABLE HINGE
S195HCX17G

Features

Performance

- Energy Efficiency Class¹: C
- Energy² / Water³: 75 kWh / 9 litres
- Capacity: 14 place settings
- Programme duration⁴: 4:55 (h:min)
- Noise level: 42 dB(A) re 1 pW
- Noise Efficiency Class: B

Programmes / functions

- 6 programmes: Eco 50 °C, Auto 45-65 °C, Chef 70 °C, Classic 60 °C, Glass 40 °C, Favourite
- Default favourite programme: Pre-Rinse
- 4 special options: Remote Start, Extra Dry, Power Zone, Extra Speed
- Easy Clean Programme
- Add-On functions via Home Connect app: Extra Hygiene, Silence on Demand

Flexible design elements

- Heat exchanger - Hygienic and efficient drying
- AquaSensor®
- DosageAssist detergent dispenser
- Efficient SilentDrive BLDC motor
- Self-cleaning filter system with 3 piece corrugated filter
- Stainless steel interior

Innovations and technology

- Flex 2 baskets with coloured TouchPoints
- Flex 2 Drawer
- 3 stage Rackmatic height-adjustable top basket
- Ball bearing wheels on upper basket
- Low friction wheels on bottom basket
- Anti-slip protection strips in upper basket
- Rack Stopper to prevent derailing of bottom basket
- 6 foldable plate racks in top basket
- 6 foldable plate racks in bottom basket
- Upper rack cup shelf
- Lower rack cup shelf
- Anti-slip protection strip in upper basket
- Glass rack in bottom basket

Design features

- Home Connect - Wi Fi enabled, for dishwasher control
- Push button top controls
- English GB
- Gap Illumination - indicates cycle is running
- Acoustic end of cycle indicator, remaining programme time indicator on top edge, water fault indicator
- Acoustic end of cycle indicator
- Time delay (3, 6 or 24 hours)

New for 2021

- Aqua Stop: Neff's warranty in case of water damage – throughout

the lifetime of the appliance. *

- Childlock - when activated double push to open
- doorOpen Assist - Simple to use, designed for handleless kitchens
- VarioHinge 50mm
- Neff Sparkle - glass care system
- Includes salt filling funnel
- incl. Steam protection for worktop
- Dimensions (HxWxD): 81.5 x 59.8 x 55cm

¹ Scale of Energy Efficiency Classes from A to G

² Energy consumption in kWh per 100 cycles (in programme Eco 50 °C)

³ Water consumption in litres per cycle (in programme Eco 50 °C)

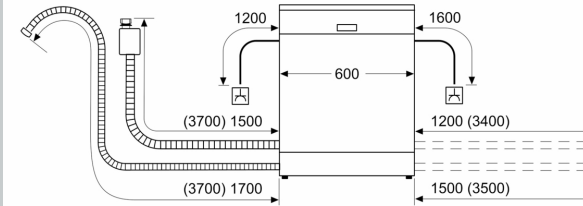
⁴ Duration of programme Eco 50 °C

* Please find warranty terms under <https://www.siemens-home.bsh-group.com/uk/customer-service/warranty/additional-warranties>

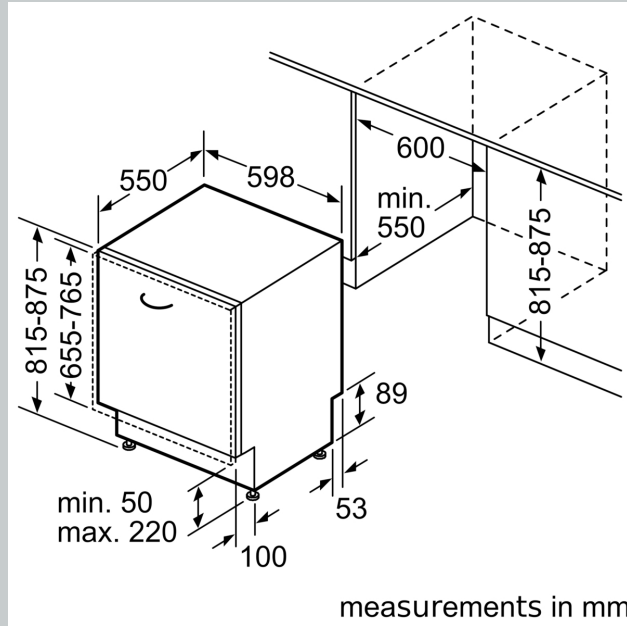
N 50, FULLY-INTEGRATED DISHWASHER, 60 CM,
VARIABLE HINGE
S195HCX17G

Dimensioned drawings

measurements in mm



⌚ socket
() values with extension kit



measurements in mm