

N 70, FULLY-INTEGRATED DISHWASHER, 60 CM,
VARIABLE HINGE
S197YCX05G



Optional accessories

Z7710X0	inlet and outlet hose extention
Z7860X3	Stainless steel protection set 81,5 cm
Z7863X0	Cutlery basket
Z788BI00	Connection rail for divided furniture

Energy Label A dishwasher, thanks to our Smart Energy Saving Solutions with no constraining compromises to great results.

- ✓ Flex 3 Baskets – Flexible baskets, Flex Cutlery Drawer and ball bearing wheels offer smooth and easy loading
- ✓ Intelligent Programme: settings for customised washing and drying cycles based on your feedback.
- ✓ Vario Hinge – Install your dishwasher almost anywhere.
- ✓ Zeolith: effective drying with natural minerals.
- ✓ Home Connect – Add your dishwasher to your home network and enjoy the infinite possibilities of connected services

Features

Technical Data

Energy Efficiency Class¹: A
 Energy Consumption for 100 cycles Eco Programme²: 54 kWh/100 cycles
 Maximum number of place settings: 14
 The water consumption of the eco programme in liters per cycle: 9.5 l
 Programme duration³: 4:55 h
 Airborne acoustical noise emissions : 44 dB(A) re 1pW
 Airborne acoustical noise emission class: B
 Built-in / Free-standing: Built-in
 Height of removable worktop: 0 mm
 Required niche size for installation (HxWxD): 815-875 x 600 x 550 mm
 Depth with open door 90 degree: 1150 mm
 Adjustable feet: Yes - all from front
 Maximum adjustability feet: 60 mm
 Adjustable plinth: Both horizontal and vertical
 Net weight: 43.3 kg
 Gross weight: 45.5 kg
 Connection Rating: 2400 W
 Fuse protection: 10 A
 Voltage: 220-240 V
 Frequency: 50; 60 Hz
 Length electrical supply cord: 175 cm
 Plug type: GB plug
 Length inlet hose: 165 cm
 Length outlet hose: 190 cm
 EAN code: 4242004287384
 Installation typology: Full-integrated



¹ Scale of Energy Efficiency Classes from A to G
² Energy consumption in kWh per 100 cycles (in programme Eco 50 °C)
³ Duration of programme Eco 50 °C

N 70, FULLY-INTEGRATED DISHWASHER, 60 CM,
VARIABLE HINGE
S197YCX05G

Features

Performance

- Energy Efficiency Class¹: A
- Energy² / Water³: 54 kWh / 9.5 litres
- Capacity: 14 place settings
- Programme duration⁴: 4:55 (h:min)
- Noise level: 44 dB(A) re 1 pW
- Noise Efficiency Class: B

Programmes / functions

- 7 programmes: Eco 50 °C, Auto 45-65 °C, Intelligent, Chef 70 °C, Classic 60 °C, Glass 40 °C, Favourite
- Default favourite programme: Pre-Rinse
- 4 special options: Remote Start, Extra Shine, Power Zone, Extra Speed
- Add-On functions via Home Connect app: Extra Hygiene, Silence on Demand
- Easy Clean Programme

Flexible design elements

- Flex 3 baskets with coloured TouchPoints
- Flex drawer
- 3 stage Rackmatic height-adjustable top basket
- Ball bearing wheels on top and bottom basket
- Anti-slip protection strips in upper basket
- Rack Stopper to prevent derailing of bottom basket
- 6 foldable plate racks in top basket
- 8 foldable plate racks in bottom basket
- Upper rack cup shelf
- Lower rack cup shelf
- Glass rack in bottom basket

Innovations and technology

- Home Connect - Wi Fi enabled, for dishwasher control
- Zeolith - Energy efficient and hygienic drying
- Open Dry and Heat Exchanger
- DosageAssist detergent dispenser
- Efficient SilentDrive BLDC motor
- DetergentAware
- AquaSensor®
- Neff Sparkle - glass care system

Design features

- TouchControl (metallic)
- Push button top controls
- White interior EmotionLight
- Gap Illumination - indicates cycle is running
- Acoustic end of cycle indicator
- Time delay (3, 6 or 24 hours)
- Aqua Stop: Neff's warranty in case of water damage – throughout the lifetime of the appliance.*
- doorOpen Assist - Simple to use, designed for handleless kitchens

- VarioHinge 50mm
- Decorative strips included (stainless steel)
- incl. Steam protection for worktop
- Self-cleaning filter system with 3 piece corrugated filter
- Stainless steel interior
- Dimensions (HxWxD): 81.5 x 59.8 x 55cm

¹ Scale of Energy Efficiency Classes from A to G

² Energy consumption in kWh per 100 cycles (in programme Eco 50 °C)

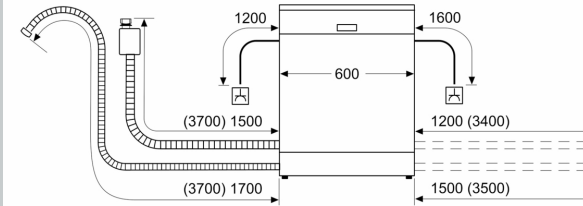
³ Water consumption in litres per cycle (in programme Eco 50 °C)

⁴ Duration of programme Eco 50 °C

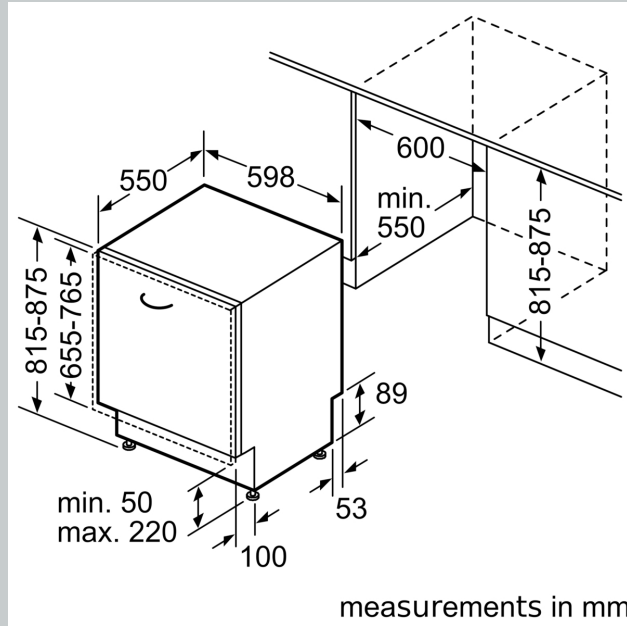
N 70, FULLY-INTEGRATED DISHWASHER, 60 CM,
VARIABLE HINGE
S197YCX05G

Dimensioned drawings

measurements in mm



△ socket
○ values with extension kit



measurements in mm