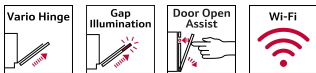


N 50, FULLY-INTEGRATED DISHWASHER, 60 CM,,
VARIABLE HINGE
S295HCX02G



The Vario Hinge dishwasher with cutlery drawer that's flexible to load and offers the comfort of door opening with a light push, fits low and high built-in situations.

- ✓ Vario Hinge – Install your dishwasher almost anywhere.
- ✓ Flex 2 Baskets – Flexible baskets, Rack Matic and Flex Cutlery Drawer offers easy loading solutions
- ✓ Gap Illumination – Tells you when a dishwasher cycle is running.
- ✓ Door Open Assist – Just push the door gently to open.
- ✓ Home Connect – Add your dishwasher to your home network and enjoy the infinite possibilities of connected services

Energy Efficiency Class: D
 Energy Consumption for 100 cycles Eco Programme: 85 kWh
 Maximum number of place settings: 14
 The water consumption of the eco programme in liters per cycle:
 9.0 l
 Programme duration: 4:30 h
 Airborne acoustical noise emissions : 42 dB(A) re 1pW
 Airborne acoustical noise emission class: B
 Built-in / Free-standing: Built-in
 Height of removable worktop: 0 mm
 Dimensions of the product (HxWxD): 865 x 598 x 550 mm
 Required niche size for installation (HxWxD): 865-925 x 600 x 550 mm
 Depth with open door 90 degree: 1200 mm
 Adjustable feet: Yes - all from front
 Maximum adjustability feet: 60 mm
 Adjustable plinth: Both horizontal and vertical
 Net weight: 39.1 kg
 Gross weight: 41.0 kg
 Connection Rating: 2400 W
 Fuse protection: 10 A
 Voltage: 220-240 V
 Frequency: 50; 60 Hz
 Length electrical supply cord: 175.0 cm
 Plug type: GB plug
 Length inlet hose: 165 cm
 Length outlet hose: 190 cm
 EAN code: 4242004282174
 Installation typology: Full-integrated

| | |
|----------|--|
| Z7710X0 | inlet and outlet hose extention |
| Z780B11 | decorative strips stainless steel 86,5cm |
| Z7861X3 | Panel strips high-install high 86,5cm |
| Z7863X0 | Cutlery basket |
| Z7863X1 | Rack insert for stemware dishwasher |
| Z7863X8 | Wine glass holder |
| Z786BH00 | Bottle Holder grey |
| Z7870X0 | Accessories dishwasher |
| Z788BI00 | Connection rail for divided furniture |



N 50, FULLY-INTEGRATED DISHWASHER, 60 CM,,
VARIABLE HINGE
S295HCX02G

Performance

- Energy Efficiency Class¹: D
- Energy² / Water³: 85 kWh / 9 litres
- Capacity: 14 place settings
- Programme duration⁴: 4:30 (h:min)
- Noise level: 42 dB(A) re 1 pW
- Noise Efficiency Class: B

Programmes / functions

- 6 programmes: Eco 50 °C, Auto 45-65 °C, Chef 70 °C, Classic 60 °C, Glass 40 °C, Favourite
- Default favourite programme: Pre-Rinse
- 4 special options: Remote Start, Extra Dry, Power Zone, Extra Speed
- Add-On functions via Home Connect app: Extra Hygiene, Silence on Demand
- Easy Clean Programme
- AquaSensor®

Flexible design elements

- Flex 2 baskets with coloured TouchPoints
- Flex 2 Drawer
- 3 stage Rackmatic height-adjustable top basket
- Ball bearing wheels on upper basket
- Low friction wheels on bottom basket
- Anti-slip protection strips in upper basket
- Rack Stopper to prevent derailing of bottom basket
- 6 foldable plate racks in top basket
- 6 foldable plate racks in bottom basket
- Upper rack cup shelf
- Lower rack cup shelf
- Glass rack in bottom basket

Innovations and technology

- Home Connect - Wi Fi enabled, for dishwasher control
- Heat exchanger - Hygienic and efficient drying
- DosageAssist detergent dispenser
- Efficient SilentDrive BLDC motor
- DetergentAware
- Neff Sparkle - glass care system

Design features

- VarioHinge 50mm
- Push button top controls
- Gap Illumination - indicates cycle is running
- doorOpen Assist - Simple to use, designed for handleless kitchens
- Time delay (3, 6 or 24 hours)
- Acoustic end of cycle indicator
- Childlock - when activated double push to open
- Aqua Stop: Neff's warranty in case of water damage – throughout the lifetime of the appliance.*
- Self-cleaning filter system with 3 piece corrugated filter

- incl. Steam protection for worktop
- Stainless steel interior
- Dimensions (HxWxD): 86.5 x 59.8 x 55cm

¹ Scale of Energy Efficiency Classes from A to G

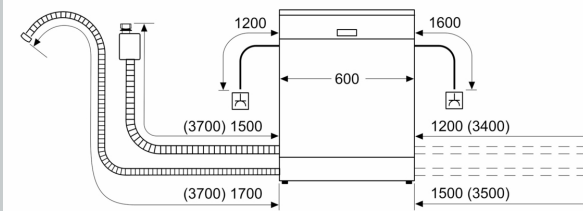
² Energy consumption in kWh per 100 cycles (in programme Eco 50 °C)

³ Water consumption in litres per cycle (in programme Eco 50 °C)

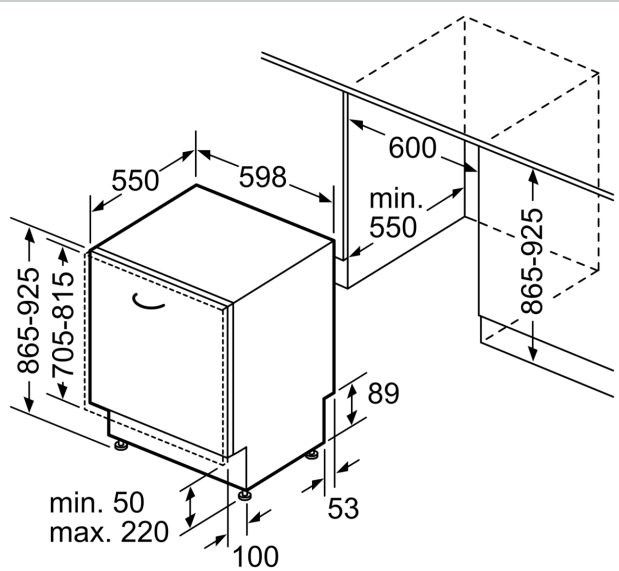
⁴ Duration of programme Eco 50 °C

N 50, FULLY-INTEGRATED DISHWASHER, 60 CM,,
VARIABLE HINGE
S295HCX02G

measurements in mm



△ socket
() values with extension kit



measurements in mm