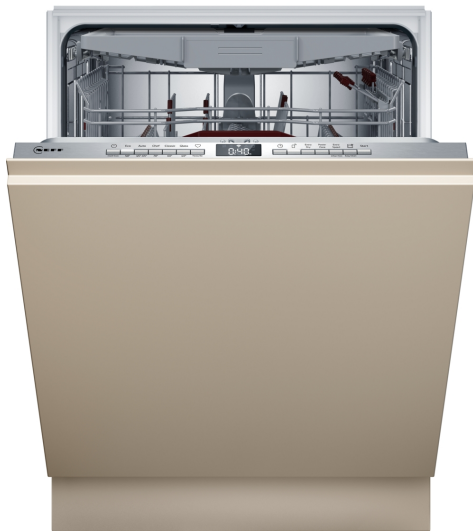


N 50, FULLY-INTEGRATED DISHWASHER, 60 CM,,
VARIABLE HINGE
S295HCX17G



Optional accessories

| | |
|----------|--|
| Z7710X0 | inlet and outlet hose extension |
| Z780B11 | decorative strips stainless steel 86,5cm |
| Z7861X3 | Panel strips high-install high 86,5cm |
| Z7863X0 | Cutlery basket |
| Z788B100 | Connection rail for divided furniture |

The Vario Hinge dishwasher with cutlery drawer that's flexible to load and offers the comfort of door opening with a light push, fits low and high built-in situations.

- ✓ Flex 2 Baskets – Flexible baskets, Rack Matic and Flex Cutlery Drawer offers easy loading solutions
- ✓ Vario Hinge – Install your dishwasher almost anywhere.
- ✓ Gap Illumination – Tells you when a dishwasher cycle is running.
- ✓ Door Open Assist – Just push the door gently to open.
- ✓ Chef 70°C – The pro programme that vanishes stubborn residues.

Features

Technical Data

Energy Efficiency Class¹: C
 Energy Consumption for 100 cycles Eco Programme²: 75 kWh/100 cycles
 Maximum number of place settings: 14
 The water consumption of the eco programme in liters per cycle: 9,0 l
 Programme duration³: 4:55 h
 Airborne acoustical noise emissions : 42 dB(A) re 1pW
 Airborne acoustical noise emission class: B
 Built-in / Free-standing: Built-in
 Height of removable worktop: 0 mm
 Required niche size for installation (HxWxD): 865-925 x 600 x 550 mm
 Depth with open door 90 degree: 1200 mm
 Adjustable feet: Yes - all from front
 Maximum adjustability feet: 60 mm
 Adjustable plinth: Both horizontal and vertical
 Net weight: 38.8 kg
 Gross weight: 41.0 kg
 Connection Rating: 2400 W
 Fuse protection: 10 A
 Voltage: 220-240 V
 Frequency: 50; 60 Hz
 Length electrical supply cord: 175 cm
 Plug type: GB plug
 Length inlet hose: 165 cm
 Length outlet hose: 190 cm
 EAN code: 4242004291190
 Installation typology: Full-integrated



¹ Scale of Energy Efficiency Classes from A to G
² Energy consumption in kWh per 100 cycles (in programme Eco 50 °C)
³ Duration of programme Eco 50 °C

N 50, FULLY-INTEGRATED DISHWASHER, 60 CM,,
VARIABLE HINGE
S295HCX17G

Features

Performance

- Energy Efficiency Class¹: C
- Energy² / Water³: 75 kWh / 9 litres
- Capacity: 14 place settings
- Programme duration⁴: 4:55 (h:min)
- Noise level: 42 dB(A) re 1 pW
- Noise Efficiency Class: B

Programmes / functions

- 6 programmes: Eco 50 °C, Auto 45-65 °C, Chef 70 °C, Classic 60 °C, Glass 40 °C, Favourite
- Default favourite programme: Pre-Rinse
- 4 special options: Remote Start, Extra Dry, Power Zone, Extra Speed
- Easy Clean Programme
- Add-On functions via Home Connect app: Extra Hygiene, Silence on Demand

Flexible design elements

- Heat exchanger - Hygienic and efficient drying
- AquaSensor®
- DosageAssist detergent dispenser
- Efficient SilentDrive BLDC motor
- Self-cleaning filter system with 3 piece corrugated filter
- Stainless steel interior

Innovations and technology

- Flex 2 baskets with coloured TouchPoints
- Flex 2 Drawer
- 3 stage Rackmatic height-adjustable top basket
- Ball bearing wheels on upper basket
- Low friction wheels on bottom basket
- Anti-slip protection strips in upper basket
- Rack Stopper to prevent derailing of bottom basket
- 6 foldable plate racks in top basket
- 6 foldable plate racks in bottom basket
- Upper rack cup shelf
- Lower rack cup shelf
- Anti-slip protection strip in upper basket
- Glass rack in bottom basket

Design features

- Home Connect - Wi Fi enabled, for dishwasher control
- Push button top controls
- English GB
- Gap Illumination - indicates cycle is running
- Acoustic end of cycle indicator, remaining programme time indicator on top edge, water fault indicator
- Acoustic end of cycle indicator
- Time delay (3, 6 or 24 hours)

New for 2021

- Aqua Stop: Neff's warranty in case of water damage – throughout

the lifetime of the appliance. *

- Childlock - when activated double push to open
- doorOpen Assist - Simple to use, designed for handleless kitchens
- VarioHinge 50mm
- Neff Sparkle - glass care system
- Includes salt filling funnel
- incl. Steam protection for worktop
- Dimensions (HxWxD): 86.5 x 59.8 x 55cm

¹ Scale of Energy Efficiency Classes from A to G

² Energy consumption in kWh per 100 cycles (in programme Eco 50 °C)

³ Water consumption in litres per cycle (in programme Eco 50 °C)

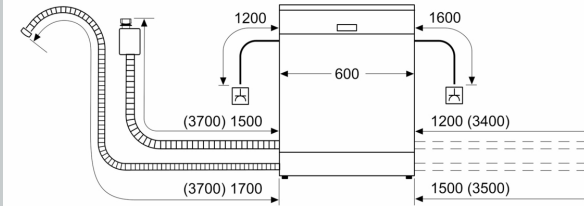
⁴ Duration of programme Eco 50 °C

* Please find warranty terms under <https://www.siemens-home.bsh-group.com/uk/customer-service/warranty/additional-warranties>

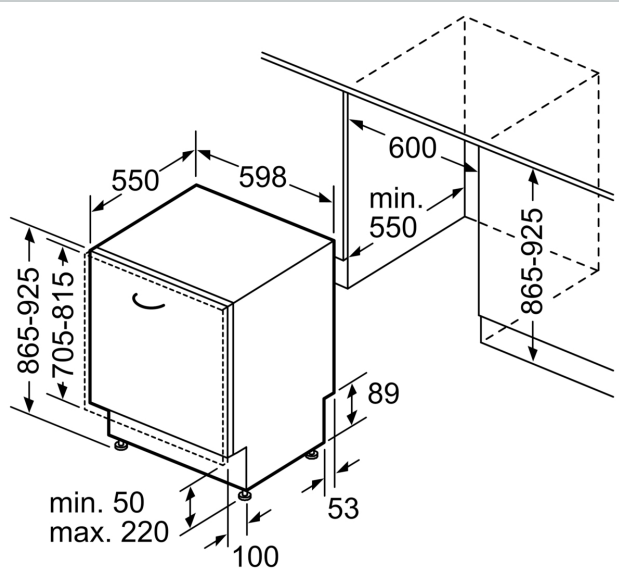
N 50, FULLY-INTEGRATED DISHWASHER, 60 CM,,
VARIABLE HINGE
S295HCX17G

Dimensioned drawings

measurements in mm



socket
() values with extension kit



measurements in mm