

N 90, FULLY-INTEGRATED DISHWASHER, 60 CM,,
VARIABLE HINGE
S299ZB802E



Give feedback on your washing and drying cycle results via the Home Connect app and the Intelligent Programme will easily adapt to your needs.

- ✓ Flex 3 with Retrofit – Versatile dishwasher baskets for flexible loading.
- ✓ Intelligent Programme: settings for customised washing and drying cycles based on your feedback.
- ✓ Zeolith: effective drying with natural minerals.
- ✓ Emotion Light Pro – 16.8 million colours for your dishwasher's interior
- ✓ Vario Hinge – Install your dishwasher almost anywhere.

Energy Efficiency Class: B
 Energy Consumption for 100 cycles Eco Programme: 64 kWh
 Maximum number of place settings: 13
 The water consumption of the eco programme in liters per cycle: 9.0 l
 Programme duration: 3:35 h
 Airborne acoustical noise emissions : 40 dB(A) re 1pW
 Airborne acoustical noise emission class: B
 Built-in / Free-standing: Built-in
 Height of removable worktop: 0 mm
 Dimensions of the product (HxWxD): 865 x 598 x 550 mm
 Required niche size for installation (HxWxD): 865-925 x 600 x 550 mm
 Depth with open door 90 degree: 1200 mm
 Adjustable feet: Yes - all from front
 Maximum adjustability feet: 60 mm
 Adjustable plinth: Both horizontal and vertical
 Net weight: 48.6 kg
 Gross weight: 50.5 kg
 Connection Rating: 2400 W
 Fuse protection: 10 A
 Voltage: 220-240 V
 Frequency: 50; 60 Hz
 Length electrical supply cord: 175.0 cm
 Plug type: GARDY plug w/ earthing
 Length inlet hose: 165 cm
 Length outlet hose: 190 cm
 EAN code: 4242004276005
 Installation typology: Full-integrated

Z7710X0	inlet and outlet hose extension
Z7861X3	Panel strips high-install high 86,5cm
Z7863X1	Rack insert for stemware dishwasher
Z7865X1EU	Mains cable with EU-Plug 5m
Z786DB04	Flex Drawer for Flex 3 Baskets
Z786RB04	3. Basket for Flex 3 Baskets
Z7870X0	Accessories dishwasher
Z7871X0	Silver polishing cassette
Z788BI00	Connection rail for divided furniture



N 90, FULLY-INTEGRATED DISHWASHER, 60 CM, ,
VARIABLE HINGE
S299ZB802E

Performance

- Energy Efficiency Class¹: B
- Energy² / Water³: 64 kWh / 9 litres
- Capacity: 13 place settings
- Programme duration⁴: 3:35 (h:min)
- Noise level: 40 dB(A) re 1 pW
- Noise Efficiency Class: B
- Noise level (silence programme): 39 dB(A) re 1 pW

Programmes / functions

- 8 Programmes: Eco 50 °C, Auto 45-65 °C, Intelligent 40 °C, Chef 70 °C, Classic 60 °C, Glass 40 °C, Silence 50 °C, Favourite
- Default favourite programme: Pre-Rinse
- 5 special options: Remote Start, Extra Shine, Power Zone, Extra Hygiene, Extra Speed
- Add-On functions via Home Connect app: Silence on Demand
- Easy Clean programme

Flexible design elements

- Flex 3 baskets with coloured TouchPoints
- Flex 3rd Basket (retrofit)
- 3 stage Rackmatic height-adjustable top basket
- Ball bearing wheels on all levels
- Anti-slip protection strips in upper basket
- Rack Stopper to prevent derailing of bottom basket
- 6 foldable plate racks in top basket
- 8 foldable plate racks in bottom basket
- Knife rack in top basket
- Moveable cutlery basket in lower rack
- Upper rack cup shelf
- Lower rack cup shelf
- Glass rack in bottom basket

Innovations and technology

- Home Connect - Wi Fi enabled, for dishwasher control
- Zeolith - Energy efficient and hygienic drying
- Heat exchanger - Hygienic and efficient drying
- AquaSensor®
- DosageAssist detergent dispenser
- Efficient SilentDrive BLDC motor
- DetergentAware
- Neff Sparkle - glass care system

Design features

- VarioHinge 50mm
- TFT display with high-definition colour
- Push button top controls
- Emotion Light Pro
- Real Time Clock
- Gap Illumination - indicates cycle is running
- doorOpen Assist - Simple to use, designed for handleless kitchens

- Time delay (3, 6 or 24 hours)
- Acoustic end of cycle indicator
- Childlock - when activated double push to open
- Aqua Stop: Neff's warranty in case of water damage – throughout the lifetime of the appliance. *
- Self-cleaning filter system with 3 piece corrugated filter
- Decorative strips included (stainless steel)
- incl. Steam protection for worktop
- Stainless steel interior
- Dimensions (HxWxD): 86.5 x 59.8 x 55cm

¹ Scale of Energy Efficiency Classes from A to G

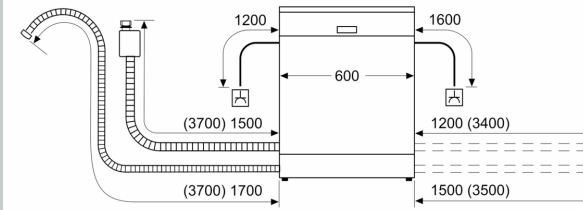
² Energy consumption in kWh per 100 cycles (in programme Eco 50 °C)

³ Water consumption in litres per cycle (in programme Eco 50 °C)

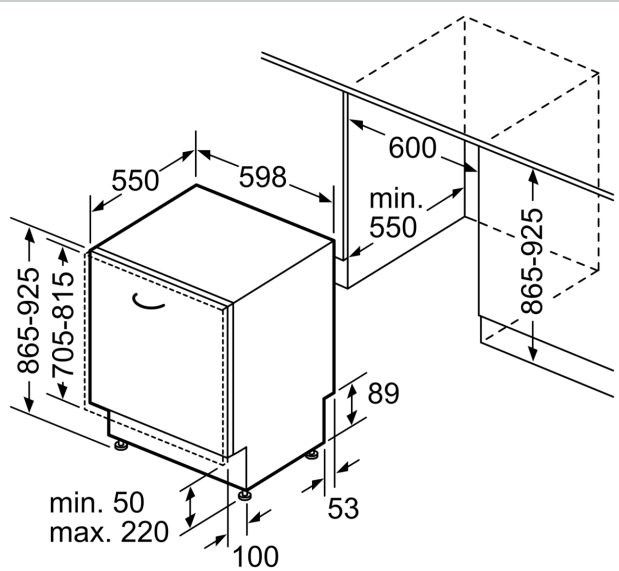
⁴ Duration of programme Eco 50 °C

N 90, FULLY-INTEGRATED DISHWASHER, 60 CM, ,
VARIABLE HINGE
S299ZB802E

measurements in mm



⚡ socket
() values with extension kit



measurements in mm