

N 90, FULLY-INTEGRATED DISHWASHER, 60 CM,,
VARIABLE HINGE
S299ZB803E



The dishwasher that's extremely flexible to load, indicates when it's running, has Vario Hinge and can be retrofitted with a 3rd loading level.

- ✓ Flex 3 with Retrofit – Versatile dishwasher baskets for flexible loading.
- ✓ Intelligent Programme: settings for customised washing and drying cycles based on your feedback.
- ✓ Zeolith: effective drying with natural minerals.
- ✓ Vario Hinge – Install your dishwasher almost anywhere.
- ✓ Home Connect – Add your dishwasher to your home network and enjoy the infinite possibilities of connected services

Features

Technical Data

Energy Efficiency Class ¹ :	B
Energy Consumption for 100 cycles Eco Programme ² : 64 kWh/100 cycles	
Maximum number of place settings:	13
The water consumption of the eco programme in liters per cycle: 9.0 l	
Programme duration ³ :	3:35 h
Airborne acoustical noise emissions :	40 dB(A) re 1pW
Airborne acoustical noise emission class:	B
Built-in / Free-standing:	Built-in
Height of removable worktop:	0 mm
Required niche size for installation (HxWxD): 865-925 x 600 x 550 mm	
Depth with open door 90 degree:	1200 mm
Adjustable feet:	Yes - all from front
Maximum adjustability feet:	60 mm
Adjustable plinth:	Both horizontal and vertical
Net weight:	47.8 kg
Gross weight:	50.0 kg
Connection Rating:	2400 W
Fuse protection:	10 A
Voltage:	220-240 V
Frequency:	50; 60 Hz
Length electrical supply cord:	175 cm
Plug type:	Gardy plug w/ earthing
Length inlet hose:	165 cm
Length outlet hose:	190 cm
EAN code:	4242004285670
Installation typology:	Full-integrated



Optional accessories

Z7710X0	inlet and outlet hose extention
Z7861X3	Panel strips high-install high 86,5cm
Z7863X1	Rack insert for stemware dishwasher
Z7863X8	Wine glass holder
Z7865X1EU	Mains cable with EU-Plug 5m
Z786BH00	Bottle Holder grey
Z786DX04	Flex Drawer for Flex 3 Baskets
Z786RX04	3. Basket for Flex 3 Baskets
Z7870X0	Accessories dishwasher
Z7871X0	Silver polishing cassette
Z788BI00	Connection rail for divided furniture
Z788BI01	Mounting rail for doubled furniture

¹ Scale of Energy Efficiency Classes from A to G

² Energy consumption in kWh per 100 cycles (in programme Eco 50 °C)

³ Duration of programme Eco 50 °C

N 90, FULLY-INTEGRATED DISHWASHER, 60 CM, ,
VARIABLE HINGE
S299ZB803E

Features

Performance

- Energy Efficiency Class¹: B
- Energy² / Water³: 64 kWh / 9 litres
- Capacity: 13 place settings
- Programme duration⁴: 3:35 (h:min)
- Noise level: 40 dB(A) re 1 pW
- Noise Efficiency Class: B
- Noise level (silence programme): 39 dB(A) re 1 pW

Programmes / functions

- 8 Programmes: Eco 50 °C, Auto 45-65 °C, Intelligent 40 °C, Chef 70 °C, Classic, Glass 40 °C, Silence 50 °C, Favourite
- Default favourite programme: Pre-Rinse
- 5 special options: Remote Start, Extra Shine, Power Zone, Extra Hygiene, Extra Speed
- Easy Clean programme
- Add-On functions via Home Connect app: Silence on Demand

Flexible design elements

- Flex 3 baskets with coloured TouchPoints
- Flex 3rd Basket (retrofit)
- 3 stage Rackmatic height-adjustable top basket
- Ball bearing wheels on all levels
- Anti-slip protection strips in upper basket
- Rack Stopper to prevent derailing of bottom basket
- 6 foldable plate racks in top basket
- 8 foldable plate racks in bottom basket
- Knife rack in top basket
- Moveable cutlery basket in lower rack
- Upper rack cup shelf
- Lower rack cup shelf
- Glass rack in bottom basket

Innovations and technology

- Home Connect - Wi Fi enabled, for dishwasher control
- Zeolith - Energy efficient and hygienic drying
- Heat exchanger - Hygienic and efficient drying
- DosageAssist detergent dispenser
- Efficient SilentDrive BLDC motor
- DetergentAware
- AquaSensor®
- Neff Sparkle - glass care system

Design features

- VarioHinge 50mm
- TFT display with high-definition colour
- Push button top controls
- White interior EmotionLight
- Gap Illumination - indicates cycle is running
- doorOpen Assist - Simple to use, designed for handleless kitchens
- Real Time Clock

- Time delay (3, 6 or 24 hours)
- Acoustic end of cycle indicator
- Aqua Stop: Neff's warranty in case of water damage – throughout the lifetime of the appliance.*
- Childlock - when activated double push to open
- Self-cleaning filter system with 3 piece corrugated filter
- Decorative strips included (stainless steel)
- incl. Steam protection for worktop
- Stainless steel interior
- Dimensions (HxWxD): 86.5 x 59.8 x 55cm

New for 2021

- cast iron
- English text on panel
- Includes salt filling funnel
- Anti-slip protection strip in upper basket

¹ Scale of Energy Efficiency Classes from A to G

² Energy consumption in kWh per 100 cycles (in programme Eco 50 °C)

³ Water consumption in litres per cycle (in programme Eco 50 °C)

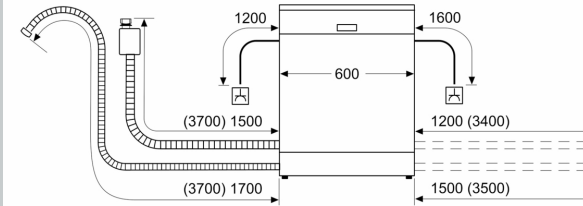
⁴ Duration of programme Eco 50 °C

* Please find warranty terms under <https://www.siemens-home.bsh-group.com/uk/customer-service/warranty/additional-warranties>

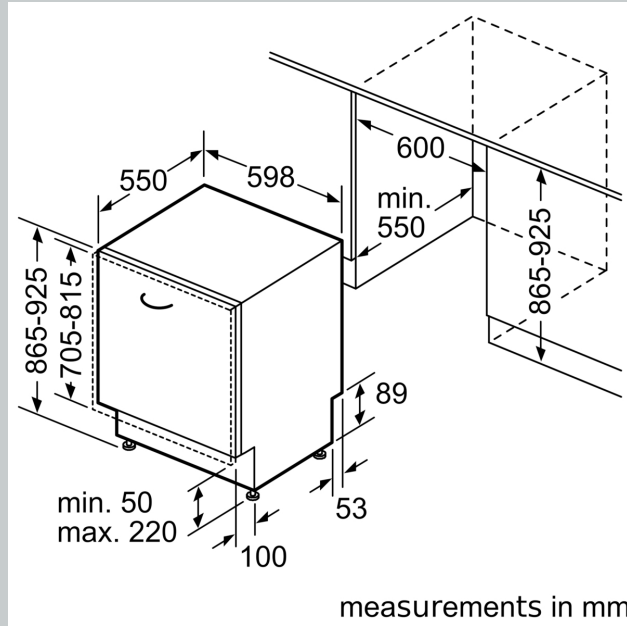
N 90, FULLY-INTEGRATED DISHWASHER, 60 CM,,
VARIABLE HINGE
S299ZB803E

Dimensioned drawings

measurements in mm



⚡ socket
() values with extension kit



measurements in mm