

N 50, Fully-integrated dishwasher, 60 cm
S513K60X0G



COOKING PASSION SINCE 1877



The dishwasher that's flexible to load and indicates when it's running.

- ✓ InfoLight – a light projected onto the floor shows you that the dishwasher is in operation
- ✓ Chef 70°C – The pro programme that vanishes stubborn residues.
- ✓ Aqua Stop: Neff's warranty in case of water damage – throughout the lifetime of the appliance.*
- ✓ Height Adjustable Top Basket: Three different height levels make loading easy and convenient
- ✓ Extra Dry: for difficult-to-dry loads select the extra drying option

Features

Technical Data

Energy Efficiency Class : E
 Energy Consumption for 100 cycles Eco Programme : 94 kWh
 Maximum number of place settings : 13
 The water consumption of the eco programme in liters per cycle : 9.5 l
 Programme duration : 3:30 h
 Airborne acoustical noise emissions : 48 dB(A) re 1 pW
 Airborne acoustical noise emission class : C
 Construction type : Built-in
 Height of removable worktop : 0 mm
 Dimensions of the product (HxWxD) : 815 x 598 x 550 mm
 Required niche size for installation (HxWxD) : 815-875 x 600 x 550 mm
 Approval certificates : CE, VDE
 Depth with open door 90 degree : 1150 mm
 Adjustable feet : Yes - all from front
 Maximum adjustability feet : 60 mm
 Adjustable plinth : both horizontal and vertical
 Net weight : 33.2 kg
 Gross weight : 35.4 kg
 Connection rating : 2400 W
 Fuse protection : 10 A
 Voltage : 220-240 V
 Frequency : 50; 60 Hz
 Length of electrical supply cord : 175 cm
 Plug type : GB plug
 Length inlet hose : 165 cm
 Length outlet hose : 190 cm
 EAN code : 4242004222163
 Installation type : Full-integrated

Optional accessories

Z7861X1 decorative strips 81cm st. steel
 Z7863X0 Cutlery basket



4 242004 222163

Features

Performance

- Energy Efficiency Class¹: E
- Energy² / Water³: 94 kWh / 9.5 litres
- Capacity: 13 place settings
- Programme duration⁴: 3:30 (h:min)
- Noise level: 48 dB(A) re 1 pW
- Noise Efficiency Class: C

Programmes/functions

- 6 programmes: Chef 70 °C, Auto 45-65 °C, Eco 50 °C, Glass, 1 hour, Pre rinse
- 5 cleaning temperatures
- 2 special options: VarioSpeedPlus, Extra Dry
- Special program 1: Machine Care

Flexible design elements

- mid TP
- Flex 2 Drawer
- 3 stage Rackmatic height-adjustable top basket
- 2 foldable plate racks in top basket
- 4 foldable plate racks in bottom basket
- Upper rack cup shelf

Innovations and technology

- Neff EfficientSilentDrive
- Neff Sparkle - glass care system
- Heat exchanger.
- Efficient SilentDrive BLDC motor
- Curved spray arms
- DosageAssist detergent dispenser
- DetergentAware
- AquaSensor®, Load sensor
- Aqua Stop: Neff's warranty in case of water damage – throughout the lifetime of the appliance.*

Design features

- Red InfoLight®, Acoustic end of cycle indicator, remaining programme time indicator on top edge, water fault indicator
- Display colour: Red LED indicators
- Large item spray head, including Steam protection plate
- Stainless steel/Polinox interior
- Push button top controls
- LED salt refill indicator, LED rinse-aid refill indicator
- Alternating spray arms
- Regenerative electronics
- Self-cleaning filter system with 3 piece corrugated filter
- Childproof Door lock
- Time delay (3, 6 or 24 hours)
- Acoustic end of cycle indicator
- Dimensions (HxWxD): 81.5 x 59.8 x 55cm

¹ Scale of Energy Efficiency Classes from A to G

² Energy consumption in kWh per 100 cycles (in programme Eco 50 °C)

³ Water consumption in litres per cycle (in programme Eco 50 °C)

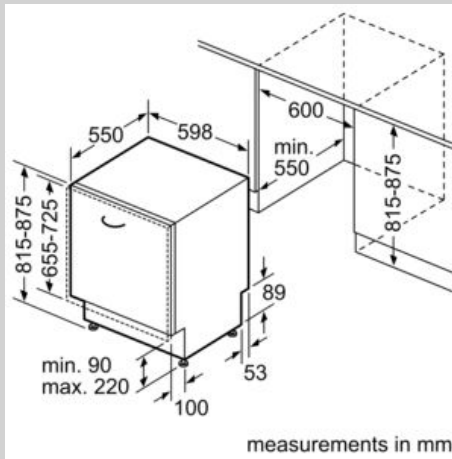
⁴ Duration of programme Eco 50 °C

N 50, Fully-integrated dishwasher, 60 cm
S513K60X0G



COOKING PASSION SINCE 1877

Dimensioned drawings



measurements in mm

