

N 50, Fully-integrated dishwasher, 60 cm  
S513N60X2G



COOKING PASSION SINCE 1877



The dishwasher that's flexible to load and displays the time remaining.

- ✓ TimeLight – the time remaining in the programme is projected onto the floor
- ✓ Chef 70°C – The pro programme that vanishes stubborn residues.
- ✓ Aqua Stop: Neff's warranty in case of water damage – throughout the lifetime of the appliance.\*
- ✓ Height Adjustable Top Basket: Three different height levels make loading easy and convenient
- ✓ Extra Dry: for difficult-to-dry loads select the extra drying option

#### Features

##### Technical Data

Energy Efficiency Class : E  
 Energy Consumption for 100 cycles Eco Programme : 95 kWh  
 Maximum number of place settings : 14  
 The water consumption of the eco programme in liters per cycle : 9.5 l  
 Programme duration : 3:45 h  
 Airborne acoustical noise emissions : 46 dB(A) re 1 pW  
 Airborne acoustical noise emission class : C  
 Construction type : Built-in  
 Height of removable worktop : 0 mm  
 Dimensions of the product (HxWxD) : 815 x 598 x 550 mm  
 Required niche size for installation (HxWxD) : 815-875 x 600 x 550 mm  
 Approval certificates : CE, VDE  
 Depth with open door 90 degree : 1150 mm  
 Adjustable feet : Yes - all from front  
 Maximum adjustability feet : 60 mm  
 Adjustable plinth : both horizontal and vertical  
 Net weight : 34.2 kg  
 Gross weight : 36.5 kg  
 Connection rating : 2400 W  
 Fuse protection : 10 A  
 Voltage : 220-240 V  
 Frequency : 50; 60 Hz  
 Length of electrical supply cord : 175 cm  
 Plug type : GB plug  
 Length inlet hose : 165 cm  
 Length outlet hose : 190 cm  
 EAN code : 4242004244028  
 Installation type : Full-integrated

#### Optional accessories

Z7860X0 ACCESSORIES DISHWASHER  
 Z7860X3 Stainless steel protection set 81,5 cm



4 242004 244028

## Features

### Performance

- Energy Efficiency Class<sup>1</sup>: E
- Energy<sup>2</sup> / Water<sup>3</sup>: 95 kWh / 9.5 litres
- Capacity: 14 place settings
- Programme duration<sup>4</sup>: 3:45 (h:min)
- Noise level: 46 dB(A) re 1 pW
- Noise Efficiency Class: C

### Programmes/functions

- 6 programmes: Chef 70 °C, Auto 45-65 °C, Eco 50 °C, Glass, 1 hour, Pre rinse
- 3 special options: VarioSpeedPlus, HygienePlus, Extra Dry
- Special program 1: Machine Care
- 5 cleaning temperatures

### Flexible design elements

- mid TP
- Flex 2 Drawer
- 3 stage Rackmatic height-adjustable top basket
- 2 foldable plate racks in top basket
- 4 foldable plate racks in bottom basket
- Upper rack cup shelf

### Innovations and technology

- Neff EfficientSilentDrive
- Neff Sparkle - glass care system
- Heat exchanger.
- Efficient SilentDrive BLDC motor
- Curved spray arms
- DosageAssist detergent dispenser
- DetergentAware
- AquaSensor®, Load sensor
- Aqua Stop: Neff's warranty in case of water damage – throughout the lifetime of the appliance.\*

### Design features

- White TimeLight projection on floor, Acoustic end of cycle indicator, remaining programme time indicator on top edge, water fault indicator
- Display colour: Red LED indicators
- Large item spray head, including Steam protection plate
- Stainless steel interior
- Push button top controls
- LED salt refill indicator, LED rinse-aid refill indicator
- Alternating spray arms
- Regenerative electronics
- Self-cleaning filter system with 3 piece corrugated filter
- Childproof Door lock
- Time delay (3, 6 or 24 hours)
- Dimensions (HxWxD): 81.5 x 59.8 x 55cm

<sup>1</sup> Scale of Energy Efficiency Classes from A to G

<sup>2</sup> Energy consumption in kWh per 100 cycles (in programme Eco 50 °C)

<sup>3</sup> Water consumption in litres per cycle (in programme Eco 50 °C)

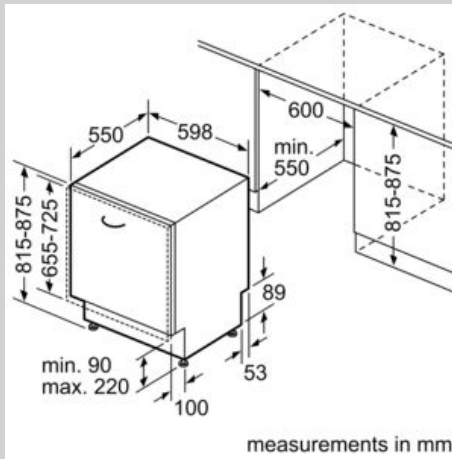
<sup>4</sup> Duration of programme Eco 50 °C

N 50, Fully-integrated dishwasher, 60 cm  
S513N60X2G



COOKING PASSION SINCE 1877

Dimensioned drawings



measurements in mm

