

N 50, FULLY-INTEGRATED DISHWASHER, 45 CM,  
VARIABLE HINGE  
S875HKX20G



The practical dishwasher indicates when it's running, varioHinge provides solution for special built-in situations.

- ✓ Home Connect – Add your dishwasher to your home network and enjoy the infinite possibilities of connected services
- ✓ Vario Hinge – Install your dishwasher almost anywhere.
- ✓ Chef 70°C – The pro programme that vanishes stubborn residues.
- ✓ Extra Dry: for difficult-to-dry loads select the extra drying option
- ✓ Flex I Baskets – Foldable elements in the top and bottom baskets for practical loading

Energy Efficiency Class: ..... E  
 Energy Consumption for 100 cycles Eco Programme: ..... 70 kWh  
 Maximum number of place settings: ..... 9  
 The water consumption of the eco programme in liters per cycle:  
 8.5 l  
 Programme duration: ..... 3:40 h  
 Airborne acoustical noise emissions : ..... 46 dB(A) re 1 pW  
 Airborne acoustical noise emission class: ..... C  
 Built-in / Free-standing: ..... Built-in  
 Height of removable worktop: ..... 0 mm  
 Dimensions of the product (HxWxD): ..... 815 x 448 x 550 mm  
 Min. required niche size for installation (HxWxD): 815-875 x 450 x 550 mm  
 Depth with open door 90 degree: ..... 1150 mm  
 Adjustable feet: ..... Yes - all from front  
 Maximum adjustability feet: ..... 60 mm  
 Adjustable plinth: ..... Both horizontal and vertical  
 Net weight: ..... 27.8 kg  
 Gross weight: ..... 29.6 kg  
 Connection Rating: ..... 2400 W  
 Fuse protection: ..... 10 A  
 Voltage: ..... 220-240 V  
 Frequency: ..... 50; 60 Hz  
 Length electrical supply cord: ..... 175.0 cm  
 Plug type: ..... GB plug  
 Length inlet hose: ..... 165 cm  
 Length outlet hose: ..... 205 cm  
 EAN code: ..... 4242004247814  
 Installation typology: ..... Full-integrated

Z7710X0	inlet and outlet hose extention
Z780BI02	decorative strips stainless steel 81,5cm
Z7863X8	Wine glass holder
Z7871X0	Silver polishing cassette
Z788BI00	Connection rail for divided furniture



N 50, FULLY-INTEGRATED DISHWASHER, 45 CM,  
VARIABLE HINGE  
S875HKX20G

- VarioHinge 50mm

#### Performance

- Energy Efficiency Class<sup>1</sup>: E
- Energy<sup>2</sup> / Water<sup>3</sup>: 70 kWh / 8.5 litres
- Capacity: 9 place settings
- Programme duration<sup>4</sup>: 3:40 (h:min)
- Noise level: 46 dB(A) re 1 pW
- Noise Efficiency Class: C

#### Programmes / functions

- 6 programmes: Eco 50 °C, Auto 45-65 °C, Chef 70 °C, Classic 60 °C, Glass 40 °C, Favourite
- Default favourite programme: Pre-Rinse
- 4 special options: Remote Start, Extra Dry, Power Zone, Extra Speed
- Easy Clean Programme
- Silence on Demand (via app)

#### Flexible design elements

- Flex 1 basket system
- Low friction wheels on bottom basket
- Rack Stopper to prevent derailing of bottom basket
- Height adjustable top basket
- 2 foldable plate racks in bottom basket
- Knife rack in top basket
- Small variable cutlery basket in bottom basket
- Upper rack cup shelf

#### Innovations and technology

- Home Connect - Wi Fi enabled, for dishwasher control
- Heat exchanger.
- Efficient SilentDrive BLDC motor
- DosageAssist detergent dispenser
- DetergentAware
- AquaSensor®
- Neff Sparkle - glass care system

#### Design features

- Push button top controls
- DuoPower Spray Arm
- InfoLight (Red) - Light projection on the floor
- Time delay (3, 6 or 24 hours)
- Acoustic end of cycle indicator, remaining programme time indicator on top edge, water fault indicator
- Aqua Stop: Neff's warranty in case of water damage – throughout the lifetime of the appliance.\*
- Self-cleaning filter system with 3 piece corrugated filter
- Large item spray head, steam protection plate
- Stainless steel interior
- Dimensions (HxWxD): 81.5 x 44.8 x 55cm

<sup>2</sup> Energy consumption in kWh per 100 cycles (in programme Eco 50 °C)

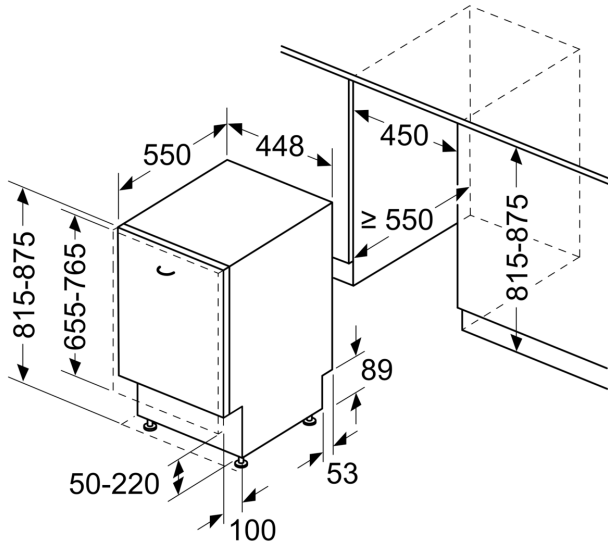
<sup>3</sup> Water consumption in litres per cycle (in programme Eco 50 °C)

<sup>4</sup> Duration of programme Eco 50 °C

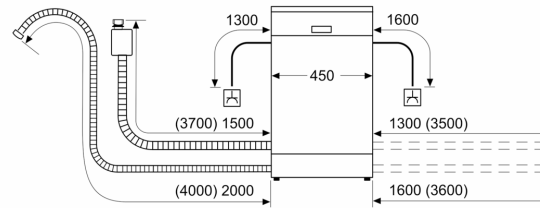
<sup>1</sup> Scale of Energy Efficiency Classes from A to G

N 50, FULLY-INTEGRATED DISHWASHER, 45 CM,  
VARIABLE HINGE  
S875HKX20G

measurements in mm



measurements in mm



socket  
( ) values with extension kit