

N 50, FULLY-INTEGRATED DISHWASHER, 45 CM,
VARIABLE HINGE
S875HKX32G



The flexible Vario Hinge dishwasher indicates when it's running, fits in low or high built-in situations.

- ✓ Flex II Baskets for slimline dishwashers: for convenient loading.
- ✓ Info Light – A light projected onto the floor shows you that the dishwasher is in operation.
- ✓ Vario Hinge – Install your dishwasher almost anywhere.
- ✓ Chef 70°C – The pro programme that vanishes stubborn residues.
- ✓ Favourite – Easily access your favourite settings or programmes.

Features

Technical Data

Energy Efficiency Class¹: D
 Energy Consumption for 100 cycles Eco Programme²: 67 kWh/100 cycles
 Maximum number of place settings: 10
 The water consumption of the eco programme in liters per cycle: 8.9 l
 Programme duration³: 4:35 h
 Airborne acoustical noise emissions : 44 dB(A) re 1pW
 Airborne acoustical noise emission class: B
 Built-in / Free-standing: Built-in
 Height of removable worktop: 0 mm
 Required niche size for installation (HxWxD): 815-875 x 450 x 550 mm
 Depth with open door 90 degree: 1150 mm
 Adjustable feet: Yes - all from front
 Maximum adjustability feet: 60 mm
 Adjustable plinth: Both horizontal and vertical
 Net weight: 29.8 kg
 Gross weight: 31.4 kg
 Connection Rating: 2400 W
 Fuse protection: 10 A
 Voltage: 220-240 V
 Frequency: 50; 60 Hz
 Length electrical supply cord: 175 cm
 Plug type: GB plug
 Length inlet hose: 165 cm
 Length outlet hose: 205 cm
 EAN code: 4242004291930
 Installation typology: Full-integrated



Optional accessories

Z7710X0	inlet and outlet hose extension
Z780BI02	decorative strips stainless steel 81,5cm
Z788BI00	Connection rail for divided furniture

¹ Scale of Energy Efficiency Classes from A to G
² Energy consumption in kWh per 100 cycles (in programme Eco 50 °C)
³ Duration of programme Eco 50 °C

N 50, FULLY-INTEGRATED DISHWASHER, 45 CM,
VARIABLE HINGE
S875HKX32G

Features

Performance

- Energy Efficiency Class¹: D
- Energy² / Water³: 67 kWh / 8.9 litres
- Capacity: 10 place settings
- Programme duration⁴: 4:35 (h:min)
- Noise level: 44 dB(A) re 1 pW
- Noise Efficiency Class: B

Programmes / functions

- 6 programmes: Eco 50 °C, Auto 45-65 °C, Chef 70 °C, Classic 60 °C, Glass 40 °C, Favourite
- Default favourite programme: Pre-Rinse
- 4 special options: Remote Start, Extra Dry, Power Zone, Extra Speed
- Easy Clean Programme
- Add-On functions via Home Connect app: Extra Hygiene, Silence on Demand

Flexible design elements

- Heat exchanger - Hygienic and efficient drying
- AquaSensor®
- DosageAssist detergent dispenser
- Efficient SilentDrive BLDC motor
- DuoPower Spray Arm
- Self-cleaning filter system with 3 piece corrugated filter
- Stainless steel interior

Innovations and technology

- Flex II basket system
- 3 stage Rackmatic height-adjustable top basket
- Low friction wheels on bottom basket
- Anti-slip protection strips in upper basket
- Rack Stopper to prevent derailing of bottom basket
- 2 foldable plate racks in top basket
- 2 foldable plate racks in bottom basket
- Knife rack in top basket
- Small variable cutlery basket in bottom basket
- Upper rack cup shelf
- Lower rack cup shelf
- Glass rack in bottom basket

Design features

- Home Connect - Wi Fi enabled, for dishwasher control
- Push button top controls
- English GB
- InfoLight (Red) - Light projection on the floor
- Acoustic end of cycle indicator, remaining programme time indicator on top edge, water fault indicator
- Acoustic end of cycle indicator
- Time delay (3, 6 or 24 hours)

New for 2021

- Aqua Stop: Neff's warranty in case of water damage – throughout

the lifetime of the appliance. *

- VarioHinge 50mm
- Neff Sparkle - glass care system
- Includes salt filling funnel
- incl. Steam protection for worktop
- Dimensions (HxWxD): 81.5 x 44.8 x 55cm

¹ Scale of Energy Efficiency Classes from A to G

² Energy consumption in kWh per 100 cycles (in programme Eco 50 °C)

³ Water consumption in litres per cycle (in programme Eco 50 °C)

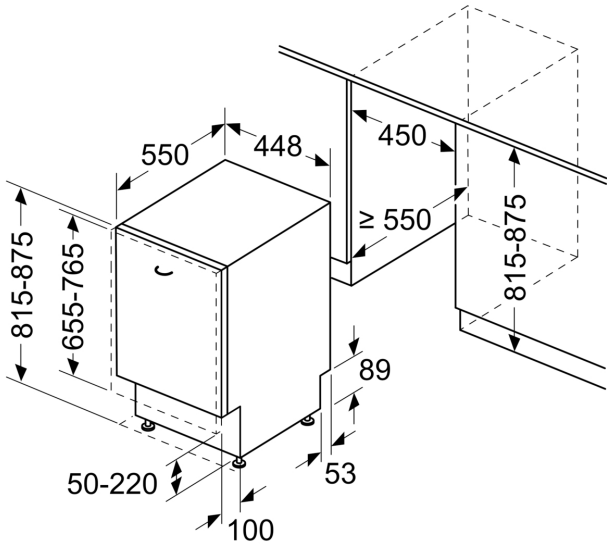
⁴ Duration of programme Eco 50 °C

* Please find warranty terms under <https://www.siemens-home.bsh-group.com/uk/customer-service/warranty/additional-warranties>

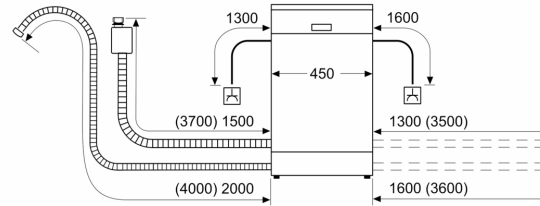
N 50, FULLY-INTEGRATED DISHWASHER, 45 CM,
VARIABLE HINGE
S875HKX32G

Dimensioned drawings

measurements in mm



measurements in mm



socket
() values with extension kit