

N 70, DOMINO ELECTRIC HOB, 30 CM, BLACK,
T13TDF9L8



Optional accessories

Z1365WX0	Wireless food thermometer
Z9914X0	Connecting strip

Standalone electric hob with TouchControl

- ✓ Touch Control – Control your hob with a simple touch.
- ✓ Power Boost – An extra surge of heat when you need fast results.

Features

Technical Data

Product name/family:	Vario/Domino cooking zone cera
Product name/family:	Vario/Domino cooking zone cera
Built-in / Free-standing:	Built-in
Built-in / Free-standing:	Built-in
Energy input:	Electric
Energy input:	Electric
Number of cooking zones:	2
Number of cooking zones:	2
Min. required niche size for installation (HxWxD):	37 x x mm
Min. required niche size for installation (HxWxD):	37 x x mm
Width of the appliance:	319 mm
Width of the appliance:	319 mm
Dimensions:	37 x 319 x 527 mm
Dimensions:	37 x 319 x 527 mm
Dimensions of the packed product (HxWxD):	130 x 480 x 630 mm
Dimensions of the packed product (HxWxD):	130 x 480 x 630 mm
Net weight:	4.5 kg
Net weight:	4.5 kg
Gross weight:	5.4 kg
Gross weight:	5.4 kg
Residual heat indicator:	Separate
Residual heat indicator:	Separate
Location of control panel:	Front
Location of control panel:	Front
Basic surface material:	Ceramic
Basic surface material:	Ceramic
Color of surface:	Black, Stainless steel
Color of surface:	Black, Stainless steel
Color of frame:	Stainless steel
Color of frame:	Stainless steel
Length electrical supply cord:	100.0 cm
Length electrical supply cord:	100.0 cm
EAN code:	4242004270614
EAN code:	4242004270614
Fuse protection:	16 A
Fuse protection:	16 A
Voltage:	220-240 V
Voltage:	220-240 V
Frequency:	50; 60 Hz
Frequency:	50; 60 Hz



N 70, DOMINO ELECTRIC HOB, 30 CM, BLACK, T13TDF9L8

Features

- 30 cm: space for 2 pots or pans.

Flexibility of cooking zones

- Ring zone double: use regular or larger cookware on the extendable cooking zone.
- Cooking zone middle: 120 mm, 180 mm, 1 KW (max. power 2.3 KW)
- Cooking zone middle: 145 mm, 1.2 KW

Usage convenience

- TouchControl: directly control the power with imprinted touch bar.
- Variable 17-stage power settings for each zone: precisely adapt the heat with 17 power levels (9 main levels and 8 intermediate levels).
- Keep warm function: Keep Warm Function: keep dishes warm at preset low power level.
- Switch-off timer: switches off the cooking zone at the end of the time set (e.g. for boiled eggs).
- Count-down Timer: an alarm sounds at the end of the time set (e.g. for pasta).

Time saving & efficiency

- Front: boil water more quickly thanks to 20% more energy than at the highest standard level.
- ReStart function: in case of unintentional switch-off, this feature restores all previous settings by switching on the hob again within 4 seconds.

Design

Safety

- 2 stage residual heat indicators: indicates which cooking zones are still hot or warm.
- Control panel lock: prevent unintended activation of the hob.
- Control panel suspension: wipe overboiled liquids without unintentionally changing settings (blocking all touch buttons for 30 seconds).
- Main switch: switch off all cooking zones at the touch of a button.
- Power on indicator light: indicates if the hob is heating.
- Safety cut out facility: for safety reasons, heating stops after a preset time if not used (possible to customise).
- Energy consumption display: shows the electricity consumption of the last cooking process.

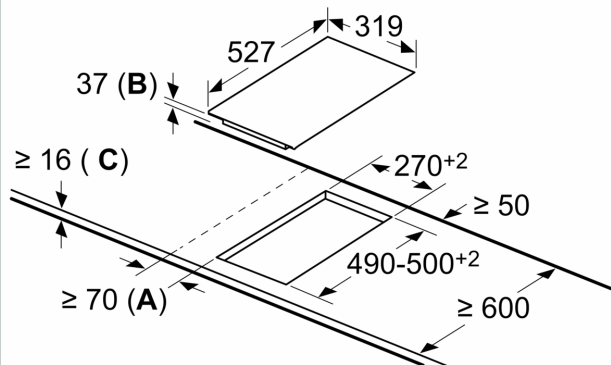
Installation

- Dimensions of the product (HxWxD mm): 37 x 319 x 527
- Required niche size for installation (HxWxD mm) : 37 x 270 x (490 - 500)
- Min. worktop thickness: 16 mm
- Connected load: 3.5 KW
- Power cord: 1 m, connected directly

N 70, DOMINO ELECTRIC HOB, 30 CM, BLACK,
T13TDF9L8

Dimensioned drawings

measurements in mm



- A:** Minimum distance from the hob cut-out to the wall.
- B:** Recessed depth
- C:** With fitted oven underneath min. 20, possibly more; see space requirements for the oven.