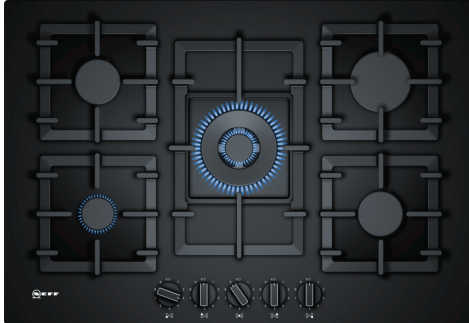


N 70, GAS HOB, 75 CM, TEMPERED GLASS, BLACK
T27CS59S0



The gas hob with a tempered glass surface and adjustable FlameSelect.

Z2402X0 Small pot support
Z2471X0 Wok ring
Z2480X0 Simmer plate

Product name/family:gas hob w
integrated controls
Built-in / Free-standing: Built-in
Energy input: Gas
Number of cooking zones: 5
Type of control setting devices: sword knobs
Required niche size for installation (HxWxD):45 x 560-562 x
480-492 mm
Width of the appliance: 752 mm
Dimensions: 58x752x520 mm
Dimensions of the packed product (HxWxD): . 168 x 798 x 596 mm
Net weight: 19.8 kg
Gross weight:21.3 kg
Residual heat indicator: without
Location of control panel: Front
Basic surface material: Tempered glass
Color of surface: Black
Color of frame: Black
Length electrical supply cord: 100.0 cm
EAN code:4242004203476
Gas connection rating:11500 W
Fuse protection:3 A
Voltage:220-240 V
Frequency:60; 50 Hz



N 70, GAS HOB, 75 CM, TEMPERED GLASS, BLACK T27CS59S0

Design

- tempered glass surface, black
- Two built-in options:
- - Flush installation - Surface mounted installation: install the hob either flush or slightly raised on the worktop
- Cast iron pan supports with rubber feet

Usage convenience

- FlameSelect with 9 steps: precisely control and adjust the flame in nine defined levels.
- Design co-ordinated control dials: easily access dials in front with strong grip for effortless turning.
- Ignition via control dials: just push and turn the dials to ignite the flame.

Burners and power

- 5 burner hob
- Left front: Economy burner up to 1 KW (depending on gas type)
- Left rear: Standard burner up to 1.75 KW (depending on gas type)
- Center front: Wok burner up to 4 KW (depending on gas type)
- Right rear: High speed burner up to 3 KW (depending on gas type)
- Right front: Standard burner up to 1.75 KW (depending on gas type)

Safety

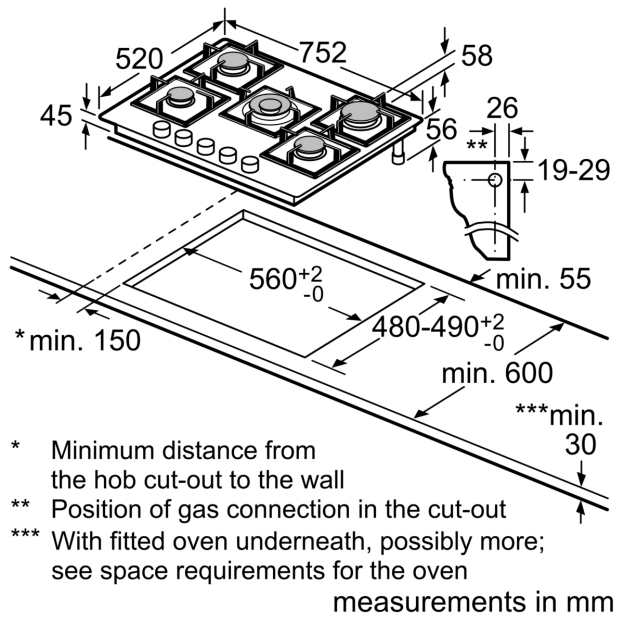
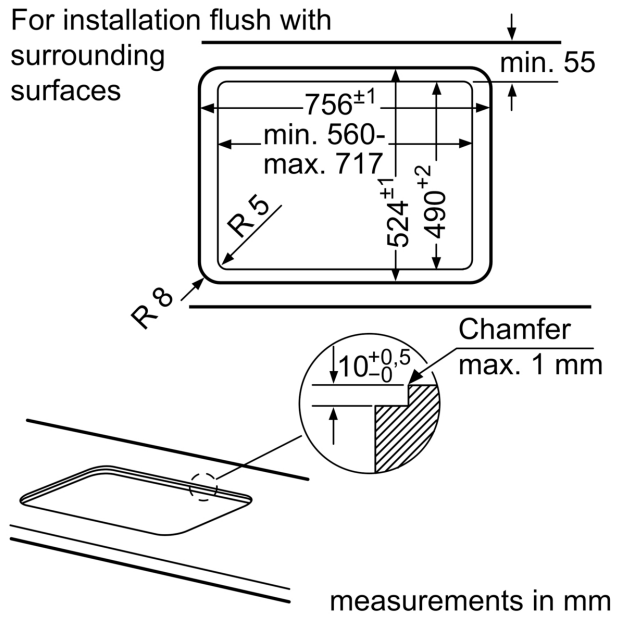
- Flame failure safety device: prevents unwanted gas flow when flame goes out.

Installation (gas types & measurements)

- Usable for: Nat gas L/LL G25/20mbar(DE)
- NG H/E 20mbar, E+ 20/25mbar Natural gas H 25 mbar (HU) Natural gas L 25 mbar (NL) Liquid gas G30,31 28-30/37mbar Liquid gas G30 37 mbar (PL) Liquid gas 50 mbar
- Factory set for connection to mains gas
- Nozzle set for LPG jets (28-30/37mbar) included. Nozzles for all other gas types can be ordered via the customer service. For nozzle change, please contact the customer service.
- Dimensions of the product (HxWxD mm): 58 x 752 x 520
- Required niche size for installation (HxWxD mm) : 45 x 560 x (480 - 492)
- Min. worktop thickness: 30 mm
- Power cord: 1 m
- Connected load: 11.5 KW

N 70, GAS HOB, 75 CM, TEMPERED GLASS, BLACK
T27CS59S0

For installation flush with
surrounding
surfaces



- * Minimum distance from the hob cut-out to the wall
- ** Position of gas connection in the cut-out
- *** With fitted oven underneath, possibly more; see space requirements for the oven