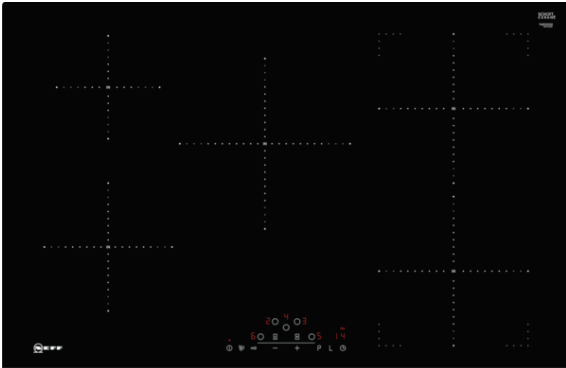


N 70, Induction hob, 80 cm,
T48FD23X0



COOKING PASSION SINCE 1877



Standalone induction cooktop with TouchControl.

- ✓ Touch Control – a convenient way to control hobs with just one touch.
- ✓ Power Move – the combi zone offers two heating zones: boiling in front and warming in the rear.
- ✓ Power Boost – optimized power level function for more flexible and even faster heating.
- ✓ Induction – the heat is generated directly in the cookware for precise cooking that stops when power is off.

Features

Technical Data

Product name/family : Cooking zone ceramic

Construction type : Built-in

Energy input : Electric

Total number of positions that can be used at the same time : 5

Required niche size for installation (HxWxD) : 51 x 750-750 x 490-500

Width of the product (mm) : 802

Dimensions of the product (mm) : 51 x 802 x 522

Dimensions of the packed product (HxWxD) (mm) : 126 x 953 x 603

Net weight (kg) : 15.303

Gross weight (kg) : 16.8

Residual heat indicator : Separate

Location of control panel : Hob front

Basic surface material : Ceramic

Color of surface : Black

Approval certificates : AENOR, CE

Length of electrical supply cord (cm) : 110

EAN code : 4242004195597

Electrical connection rating (W) : 7400

Voltage (V) : 220-240

Frequency (Hz) : 50; 60

Optional accessories

Z943SE0 Set of 2 pots and 1 pan



4 242004 195597

*N 70, Induction hob, 80 cm,
T48FD23X0*

Features

Control

- Touch control

Flexibility

- Combi zone
- 5 zone induction hob

Special features

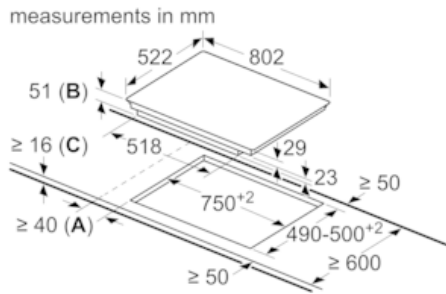
- Boost setting for all zones
- Variable 17-stage power settings for each zone
- Digital display of cooking levels
- 2 stage residual heat indicators
- Timer with automatic shut off for all zones LED timer for each zone with switch off function and acoustic signal
- ReStart function
- Automatic pan recognition Safety cut out facility Control panel lock Control panel suspension
- Keep warm function
- Energy consumption display

Technical information

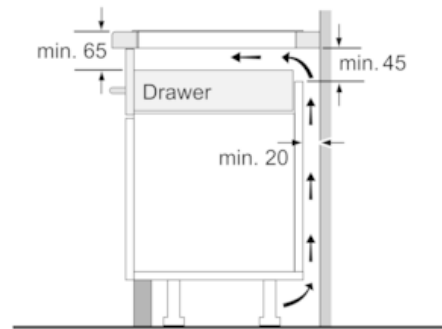
- Cooking zones: 1 x Ø 180 mm, 1.8 KW (max. Power levels 3.1 KW) Induction; 1 x Ø 145 mm, 1.4 KW (max. Power levels 2.2 KW) Induction; 1 x Ø 240 mm, 2.2 KW (max. Power levels 3.7 KW) Induction; 1 x Ø 210 mm, 2.2 KW (max. Power levels 3.7 KW) Induction; 1 x Ø 210 mm, 2.2 KW (max. Power levels 3.7 KW) Induction
- Measurement: (H/B/T) 51 x 802 x 522 mm
- Installation dimensions: (ID/W/D) 51 mm x 750 mm x 490 mm
- 80 cm width
- Length wire connection: 110 cm
- Main switch
- Min. worktop thickness: 16 mm
- Output 7400 W
- Cable included in packaging

N 70, Induction hob, 80 cm,
T48FD23X0

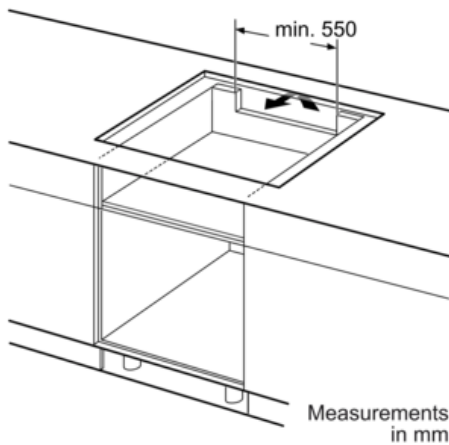
Dimensioned drawings



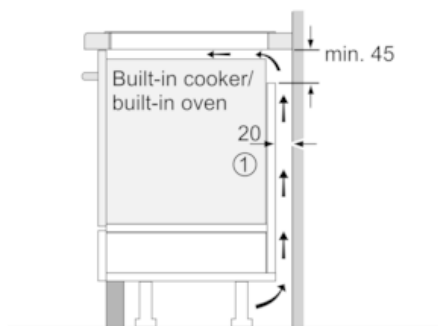
- A:** Minimum distance from the hob cut-out to the wall.
- B:** Recessed depth
- C:** With fitted oven underneath min. 30, possibly more; see space requirements for the oven.



Measurements in mm



Measurements in mm



- ① Ventilation gap must be present

All measurements in mm