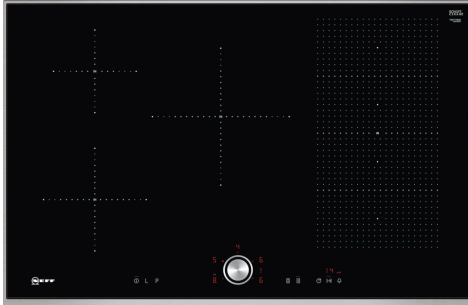


N 70, INDUCTION HOB, 80 CM, BLACK,
T58TT20N0



Optional accessories

Z9401FF0 Flex Pan, large, Z9401TY0 Teppan Yaki, Z9403FF0 Flex Pan set, 3 pcs., Z9404FF0 Flex Pan set, 4 pcs., Z9404SE0 4 pieces Set, Z9406SE0 6 pieces Set, Z9410ES0 Espresso maker 4 cups, Z9410X1 Stainless Steel roaster with glass lid, Z9415X1 Steaming Rack for Stainless Steel roaster, Z9416X2 Griddle Plate, Z9417X2 Teppan Yaki (large), Z9428FE0 Iron pan Ø 18 / 28 cm, Z943SE0 Set of 2 pots and 1 pan, Z9914X0 Connecting strip

FlexInduction Hob with TwistPad control.

- ✓ TwistPad® – our removable, magnetic control dial that gives you precise, convenient control over all cooking zones.
- ✓ Flex Induction: flexible cooking zones and automatic cookware detection.
- ✓ Power Move – Just slide your cookware to adjust the temperature.
- ✓ Power Boost – An extra surge of heat when you need fast results.
- ✓ Induction: heat is generated directly in the cookware for precise cooking that stops instantly when off.

Features

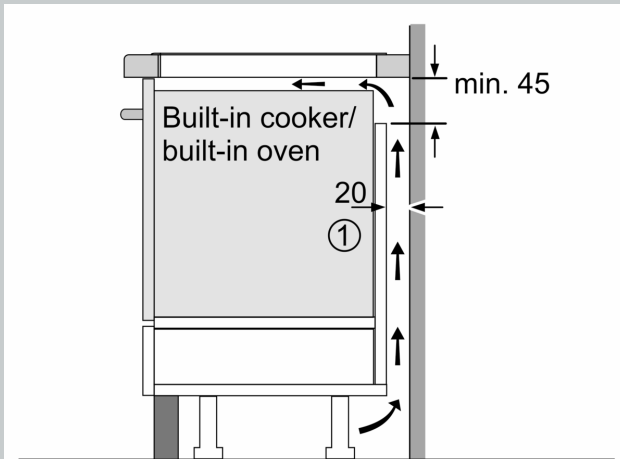
Technical Data

Product name/family: Cooking zone ceramic
 Built-in / Free-standing: Built-in
 Energy input: Electric
 Number of cooking zones: 5
 Min. required niche size for installation (HxWxD): .. 51 x 750-780 x 490-500 mm
 Width of the appliance: 826 mm
 Dimensions: 51 x 826 x 546 mm
 Dimensions of the packed product (HxWxD): . 126 x 953 x 603 mm
 Net weight: 13.7 kg
 Gross weight: 17.4 kg
 Residual heat indicator: Separate
 Location of control panel: Front
 Basic surface material: Ceramic
 Color of surface: Black, Stainless steel
 Color of frame: Stainless steel
 Length electrical supply cord: 110.0 cm
 EAN code: 4242004195832
 Voltage: 220-240 V
 Frequency: 50; 60 Hz



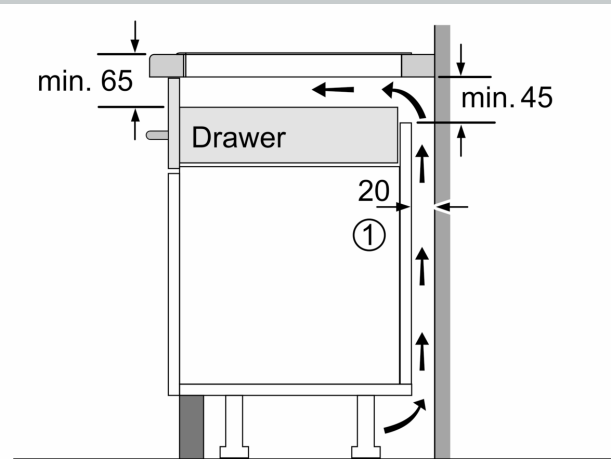
N 70, INDUCTION HOB, 80 CM, BLACK,
T58TT20N0

Dimensioned drawings



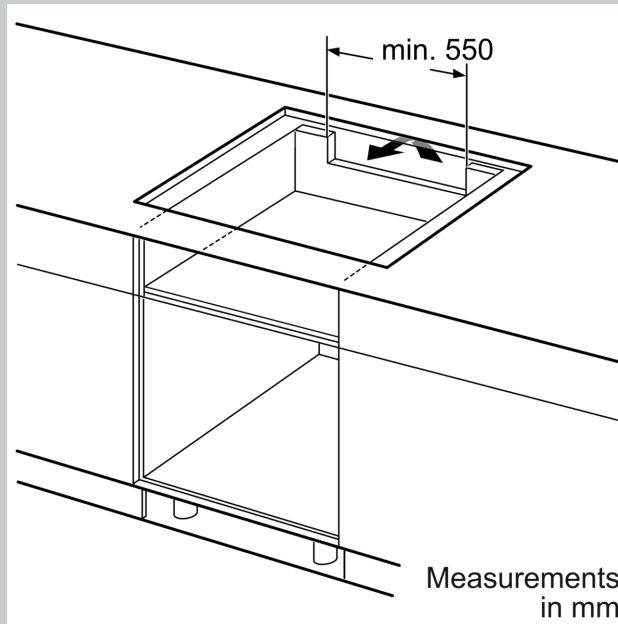
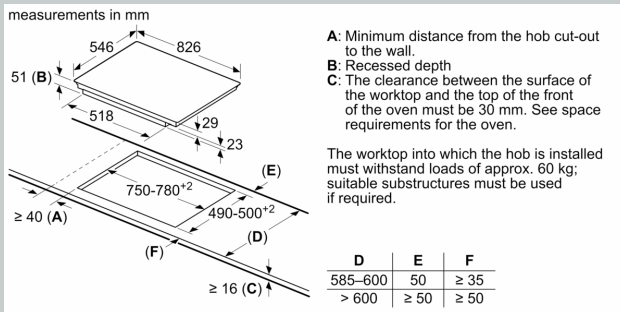
① Ventilation gap must be present

All measurements in mm



① Ventilation gap must be present.

Measurements in mm



Measurements in mm