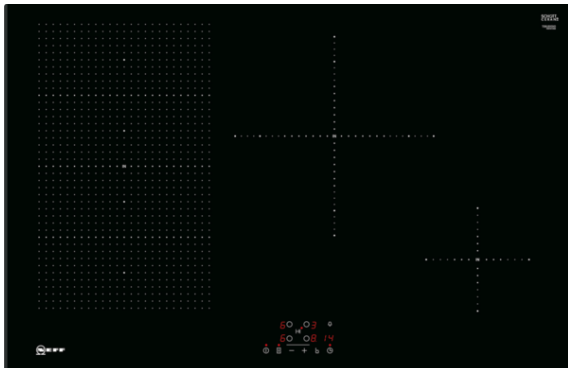


Induction hob, 80 cm,
T58UB10X0



COOKING PASSION SINCE 1877



FlexInduction hob with TouchControl.

- ✓ Touch Control – a convenient way to control hobs with just one touch and a timer if needed.
- ✓ Flex Induction – place your pots and pans within the flex zone anywhere you want and heat them exactly where they stand.
- ✓ Power Boost – optimized power level function for more flexible and even faster heating.
- ✓ Induction – the heat is generated directly in the cookware for precise cooking that stops when power is off.

Features

Technical Data

Product name/family : Cooking zone ceramic
 Construction type : Built-in
 Energy input : Electric
 Total number of positions that can be used at the same time : 4
 Required niche size for installation (HxWxD) : 51 x 750-750 x 490-500
 Width of the product (mm) : 802
 Dimensions of the product (mm) : 51 x 802 x 522
 Dimensions of the packed product (HxWxD) (mm) : 126 x 953 x 603
 Net weight (kg) : 16.043
 Gross weight (kg) : 17.5
 Residual heat indicator : Separate
 Location of control panel : Hob front
 Basic surface material : Ceramic
 Color of surface : Black
 Approval certificates : AENOR, CE
 Length of electrical supply cord (cm) : 110
 EAN code : 4242004234524
 Electrical connection rating (W) : 7400
 Voltage (V) : 220-240
 Frequency (Hz) : 50; 60

Optional accessories

Z9410X1	Stainless Steel roaster with glas lid
Z9415X1	Steaming Rack for Stainless Steel roaste
Z9416X2	Griddle Plate
Z9417X2	Teppan Yaki (large)
Z943SE0	Set of 2 pots and 1 pan



4 242004 234524

Induction hob, 80 cm, T58UB10X0

Features

Control

- Touch control

Flexibility

- Flex Induction
- 4 zone induction hob
- no

Special features

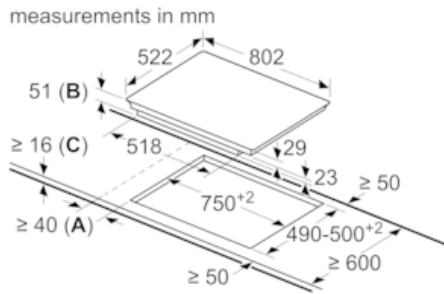
- Boost setting for all zones
- Variable 17-stage power settings for each zone
- Digital display of cooking levels
- 2 stage residual heat indicators
- Timer with automatic shut off for all zones LED timer for each zone with switch off function and acoustic signal
- ReStart function
- Automatic pan recognition Safety cut out facility Control panel lock

Technical information

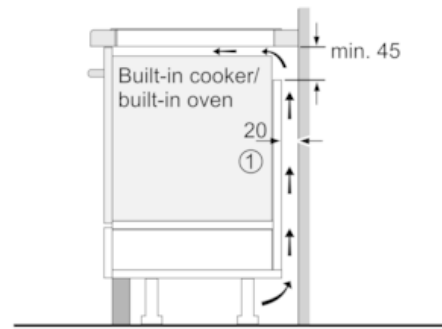
- Cooking zones: 1 x Ø 400 mmx240 mm, 3.3 kW (max. Power levels 3.7 KW) Induction or 2 x Ø 200 mm, 2.2 KW (max. Powerlevels 3.7 KW) Induction; 1 x Ø 280 mm, 2.6 KW (max. Power levels 3.7 KW) Induction; 1 x Ø 145 mm, 1.4 KW (max. Power levels 2.2 KW) Induction
- Measurement: (H/B/T) 51 x 802 x 522 mm
- Installation dimensions: (ID/W/D) 51 mm x 750 mm x 490 mm
- 80 cm width
- Length wire connection: 110 cm
- Main switch
- Min. worktop thickness: 16 mm
- Output 7400 W
- Cable included in packaging

Induction hob, 80 cm,
T58UB10X0

Dimensioned drawings

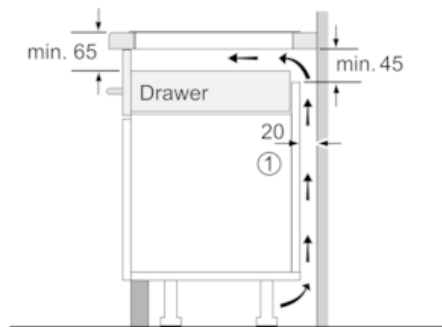


- A:** Minimum distance from the hob cut-out to the wall.
- B:** Recessed depth
- C:** With fitted oven underneath min. 30, possibly more; see space requirements for the oven.



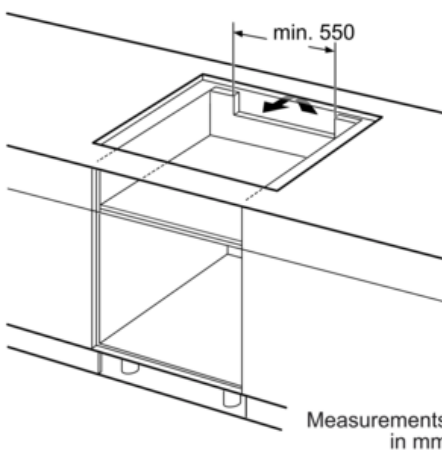
- ① Ventilation gap must be present

All measurements in mm



- ① Ventilation gap must be present.

Measurements in mm



Measurements in mm