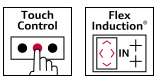


N 70, INDUCTION HOB, 80 CM, BLACK,
T58UD20X0



Optional accessories

Z9410X1	Stainless Steel roaster with glas lid
Z9415X1	Steaming Rack for Stainless Steel roaste
Z9416X2	Griddle Plate
Z9417X2	Teppan Yaki (large)
Z941CF0	Pan Ø 22 / 26 cm
Z941LP0	Pot Ø 14 (bottom) / 16 cm (top)
Z941LP1	Pot Ø 18 (bottom) / 20 cm (top)
Z943SE0	Set of 2 pots and 1 pan

FlexInduction hob with TouchControl.

- ✓ Touch Control – Control your hob with a simple touch.
- ✓ Flex Induction: flexible cooking zones and automatic cookware detection.
- ✓ Power Boost – An extra surge of heat when you need fast results.
- ✓ Induction – the heat is generated directly in the cookware for precise cooking that stops when power is off.

Features

Technical Data

Product name/family:	Cooking zone ceramic
Construction type:	Built-in
Energy input:	Electric
Number of cooking zones:	5
Min. required niche size for installation (HxWxD):	..	51 x 750-750 x 490-500 mm
Width of the appliance:	802 mm
Dimensions:	51 x 802 x 522 mm
Dimensions of the packed product (HxWxD):	..	126 x 953 x 603 mm
Net weight:	14.5 kg
Gross weight:	18.2 kg
Residual heat indicator:	Separate
Location of control panel:	Front
Basic surface material:	Ceramic
Color of surface:	Black
Length of electrical supply cord:	110.0 cm
EAN code:	4242004195849
Voltage:	220-240 V
Frequency:	50; 60 Hz



N 70, INDUCTION HOB, 80 CM, BLACK, T58UD20X0

Features

Design

- 802 mm
- Frameless with faceted edges

Control

- Touch control

Flexibility

- Flex Induction
- 5 zone induction hob

Special features

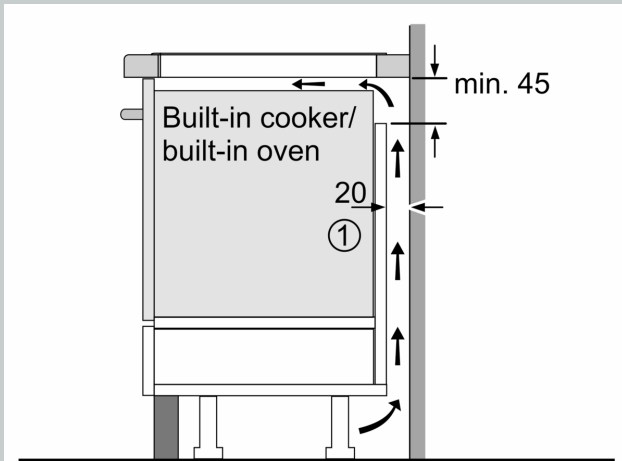
- Power Boost function for all zones
- Variable 17-stage power settings for each zone
- Digital display of cooking levels
- 2 stage residual heat indicators
- Timer with automatic shut off for all zones
- LED timer for each zone with switch off function and acoustic signal
- ReStart function
- Automatic pan recognition
- Safety cut out facility Control panel lock Control panel suspension
- Keep warm function
- Energy consumption display

Technical information

- Cooking zones: 1 x Ø 180 mm, 1.8 KW (max. Power levels 3.1 KW) Induction; 1 x Ø 145 mm, 1.4 KW (max. Power levels 2.2 KW) Induction; 1 x Ø 240 mm, 2.2 KW (max. Power levels 3.7 KW) Induction; 1 x Ø 400 mmx210 mm, 3.3 KW (max. Power levels 3.7 KW) Induction or 2 x Ø 200 mm, 2.2 KW (max. Power levels 3.7 KW) Induction
- Installation dimensions: (ID/W/D) 51 mm x 750 mm x 490 mm
- 80 cm width
- Length wire connection: 110 cm
- Main switch
- Min. worktop thickness: 16 mm
- Output 7400 W
- Cable included in packaging

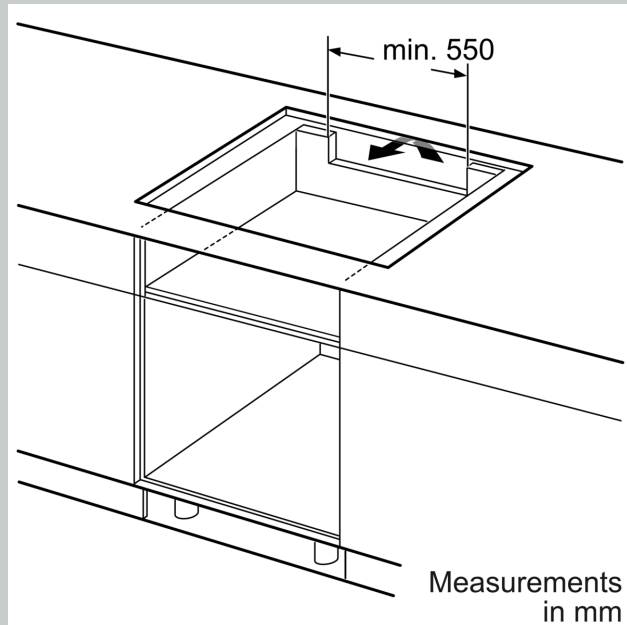
N 70, INDUCTION HOB, 80 CM, BLACK,
T58UD20X0

Dimensioned drawings

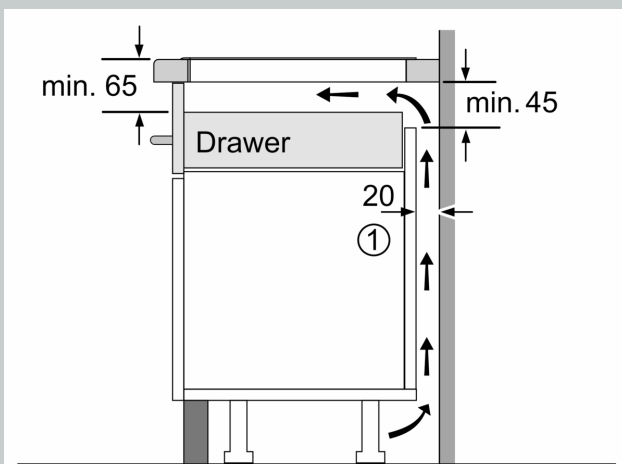


① Ventilation gap must be present

All measurements in mm



Measurements in mm



① Ventilation gap must be present.

Measurements in mm