

N 70, FLEX INDUCTION COOKTOP, 30 CM, BLACK, T63TDX1L0



FlexInduction hob with TouchControl.

- ✓ Touch Control – Control your hob with a simple touch.
- ✓ Flex Induction: flexible cooking zones and automatic cookware detection.
- ✓ Power Move – Just slide your cookware to adjust the temperature.
- ✓ Power Boost – An extra surge of heat when you need fast results.
- ✓ Induction: heat is generated directly in the cookware for precise cooking that stops instantly when off.

Features

Technical Data

Product name/family:	Vario/Domino cooking zone cera
Product name/family:	Vario/Domino cooking zone cera
Built-in / Free-standing:	Built-in
Built-in / Free-standing:	Built-in
Energy input:	Electric
Energy input:	Electric
Number of cooking zones:	2
Number of cooking zones:	2
Min. required niche size for installation (HxWxD):	51 x x mm
Min. required niche size for installation (HxWxD):	51 x x mm
Width of the appliance:	319 mm
Width of the appliance:	319 mm
Dimensions:	51 x 319 x 527 mm
Dimensions:	51 x 319 x 527 mm
Dimensions of the packed product (HxWxD): .	120 x 370 x 600 mm
Dimensions of the packed product (HxWxD): .	120 x 370 x 600 mm
Net weight:	7.3 kg
Net weight:	7.3 kg
Gross weight:	8.5 kg
Gross weight:	8.5 kg
Residual heat indicator:	Separate
Residual heat indicator:	Separate
Location of control panel:	Front
Location of control panel:	Front
Basic surface material:	Ceramic
Basic surface material:	Ceramic
Color of surface:	Black, Stainless steel
Color of surface:	Black, Stainless steel
Color of frame:	Stainless steel
Color of frame:	Stainless steel
Length electrical supply cord:	110.0 cm
Length electrical supply cord:	110.0 cm
EAN code:	4242004267614
EAN code:	4242004267614
Voltage:	220-240 V
Voltage:	220-240 V
Frequency:	50; 60 Hz
Frequency:	50; 60 Hz

Optional accessories

Z9416X2 Griddle Plate, Z9417X2 Teppan Yaki (large), Z9428FE0 Iron pan Ø 18 / 28 cm, Z943SE0 Set of 2 pots and 1 pan, Z9403FF0 Flex Pan set, 3 pcs., Z9404FF0 Flex Pan set, 4 pcs., Z9404SE0 4 pieces Set, Z9406SE0 6 pieces Set, Z9410ES0 Espresso maker 4 cups, Z9410X1 Stainless Steel roaster with glas lid, Z9415X1 Steaming Rack for Stainless Steel roaste, Z1365WX0 Wireless food thermometer, Z9401FF0 Flex Pan, large, Z9401TY0 Teppan Yaki



N 70, FLEX INDUCTION COOKTOP, 30 CM, BLACK, T63TDX1L0

Features

- 30 cm: space for 2 pots or pans.

Flexibility of cooking zones

- Flex Induction: use cookware of any shape or size anywhere within the 40cm long zone.
- Cooking zone middle: 200 mm, 210 mm, 2.2 KW (max. power 3.7 KW)
- Cooking zone middle: 200 mm, 210 mm, 2.2 KW (max. power 3.7 KW)

Usage convenience

- TouchControl: directly control the power with imprinted touch bar.
- Variable 17-stage power settings for each zone: precisely adapt the heat with 17 power levels (9 main levels and 8 intermediate levels).
- Keep warm function: Keep Warm Function: keep dishes warm at preset low power level.
- Switch-off timer: switches off the cooking zone at the end of the time set (e.g. for boiled eggs).
- Count-down Timer: an alarm sounds at the end of the time set (e.g. for pasta).

Time saving & efficiency

- Power Boost function for all zones
- : boil water faster thanks to 50% more energy than at the highest standard level.
- Cooking zones will be automatically joined or separated based on the shape and size of the cookware placed.
- PowerMove with 3 levels: increase or decrease the power level simply by moving the pot forwards or backwards.
- QuickStart function: when switching on, the hob automatically selects the cooking zone with cookware (when placed on a zone whilst the hob is off).
- ReStart function: in case of unintentional switch-off, this feature restores all previous settings by switching on the hob again within 4 seconds.
- yes, after software update: hood automatically adapts fan speed thanks to hob continuously providing cooking data (with matching hood and connected Home Connect account).

Design

Safety

- 2 stage residual heat indicators: indicates which cooking zones are still hot or warm.
- Control panel lock: prevent unintended activation of the hob.
- Control panel suspension: wipe overboiled liquids without unintentionally changing settings (blocking all touch buttons for 30 seconds).
- Main switch: switch off all cooking zones at the touch of a button.
- Safety cut out facility: for safety reasons, heating stops after a preset time if not used (possible to customise).
- Energy consumption display: shows the electricity consumption of the last cooking process.

Installation

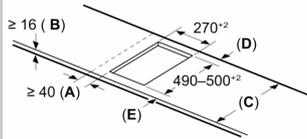
- Dimensions of the product (HxWxD mm): 51 x 319 x 527
- Required niche size for installation (HxWxD mm) : 51 x 270 x (490 - 500)

- Min. worktop thickness: 16 mm
- Connected load: 3.7 KW
- 4.6kW power output (20A); current management options for 16A, 13A or 10A connection: limit the maximum power if needed (depends on fuse protection of electric installation).

N 70, FLEX INDUCTION COOKTOP, 30 CM, BLACK, T63TDX1L0

Dimensioned drawings

Measurements in mm



A: Min. distance from the hob cut-out to the wall

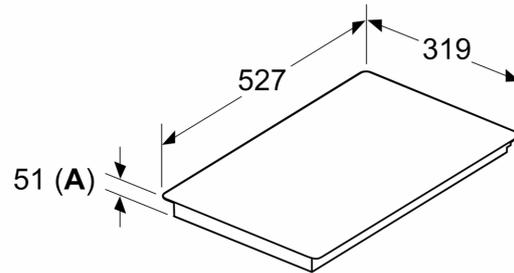
B: The clearance between the surface of the worktop and the top of the front of the oven must be 30 mm

See space requirements for the oven

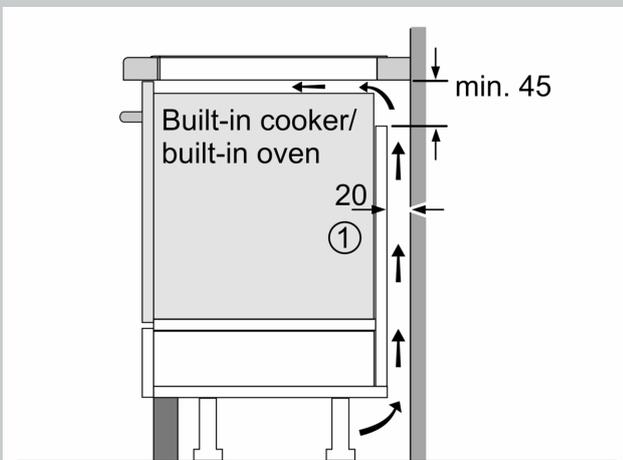
The worktop into which the hob is installed must withstand loads of approx. 60 kg; suitable substructures must be used if required

C	D	E
585-600	50	≥ 35
> 600	≥ 50	≥ 50

Measurements in mm

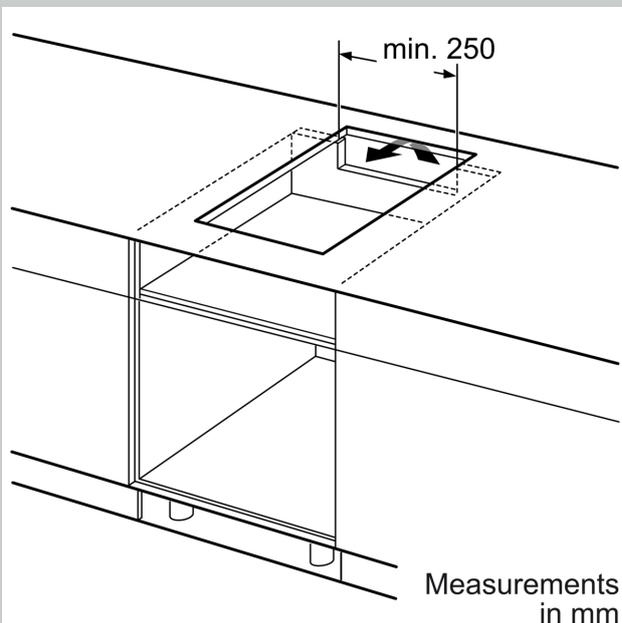


A: Recessed depth



① Ventilation gap must be present

All measurements in mm



Measurements in mm

Dimensioned drawings

