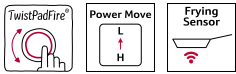
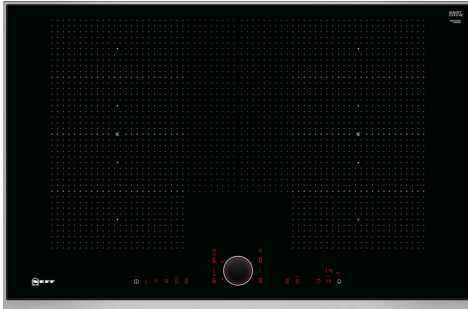


N 90, FLEX INDUCTION HOB, 80 CM, BLACK,
SURFACE MOUNT WITH FRAME
T68TS61N0



Z9401FF0 Flex Pan, large, Z9401TY0 Teppan Yaki, Z9403FF0 Flex Pan set, 3 pcs., Z9404FF0 Flex Pan set, 4 pcs., Z9404SE0 4 pieces Set, Z9406SE0 6 pieces Set, Z9410ES0 Espresso maker 4 cups, Z9410X1 Stainless Steel roaster with glas lid, Z9415X1 Steaming Rack for Stainless Steel roaste, Z9416X2 Griddle Plate, Z9417X2 Teppan Yaki (large), Z9428FE0 Iron pan Ø 18 / 28 cm, Z943SE0 Set of 2 pots and 1 pan, Z9451X0 System pan diameter 15 cm, Z9453X0 System pan diameter 21 cm, Z9455X0 System pan diameter 28 cm, Z9914X0 Connecting strip

- ✓ TwistPadFire® – our removable, magnetic, illuminated control dial that gives you precise control over all cooking zones.
- ✓ Power Move – the flex zone offers three heating zones: boiling in front, simmering in the middle and warming in the rear.
- ✓ Frying Sensor – with 5 selectable temperature settings it monitors the set temperature and holds it steady.
- ✓ Power Boost – optimized power level function for more flexible and even faster heating.
- ✓ Induction – the heat is generated directly in the cookware for precise cooking that stops when power is off.

Product name/family: Cooking zone ceramic
 Built-in / Free-standing: Built-in
 Energy input: Electric
 Number of cooking zones: 4
 Min. required niche size for installation (HxWxD): .. 51 x 750-780 x 490-500 mm
 Width of the appliance: 826 mm
 Dimensions: 51x826x546 mm
 Dimensions of the packed product (HxWxD): . 126 x 953 x 603 mm
 Net weight: 16.7 kg
 Gross weight: 20.4 kg
 Residual heat indicator: Separate
 Location of control panel: Front
 Basic surface material: Ceramic
 Color of surface: Black, Stainless steel
 Color of frame: Stainless steel
 Length electrical supply cord: 110.0 cm
 EAN code: 4242004190882
 Voltage: 220-240 V
 Frequency: 50; 60 Hz



N 90, FLEX INDUCTION HOB, 80 CM, BLACK,
SURFACE MOUNT WITH FRAME
T68TS61N0

Control

- TwistPad® Fire
- Frying Sensor: 5 frying levels

Flexibility

- 2 Flex Induction Zones with extended flex
- 4 zone induction hob
- PowerTransfer

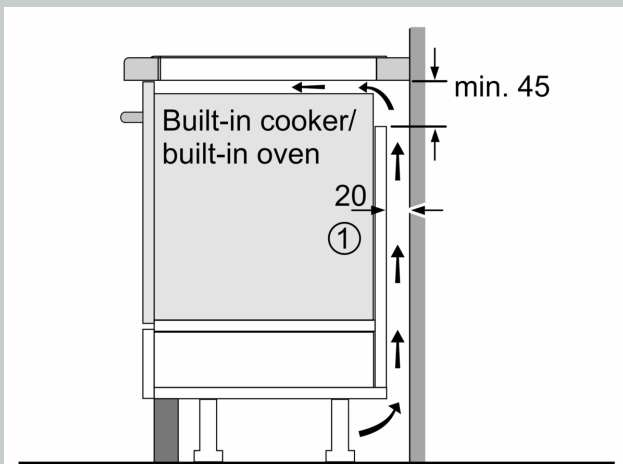
Special features

- Boost setting for all zones
- PanBoost
- Variable 17-stage power settings for each zone
- Digital display of cooking levels
- 2 stage residual heat indicators
- Timer with automatic shut off for all zones LED timer for each zone with switch off function and acoustic signal Count up timer
- ReStart function
- Automatic pan recognition Safety cut out facility Control panel lock Control panel suspension
- Keep warm function
- Energy consumption display

Technical information

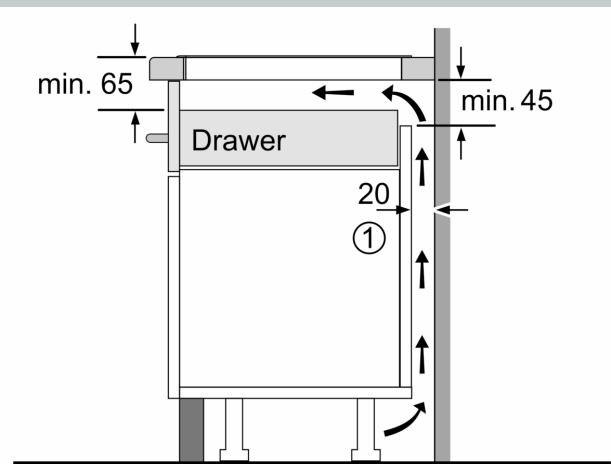
- Measurement: (H/B/T) 51 x 826 x 546 mm
- Installation dimensions: (ID/W/D) 51 mm x 750 mm x 490 mm
- 80 cm width
- Length wire connection: 110 cm
- Main switch
- Min. worktop thickness: 20 mm
- Output 7400 W
- Cable included in packaging

N 90, FLEX INDUCTION HOB, 80 CM, BLACK,
SURFACE MOUNT WITH FRAME
T68TS61N0



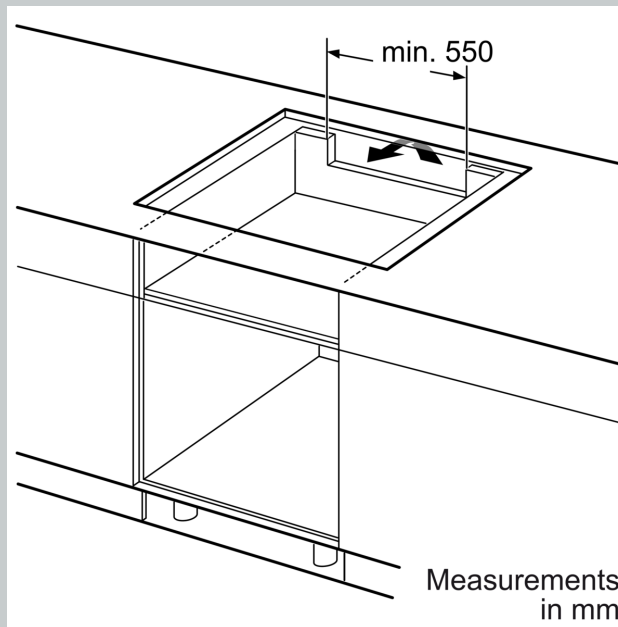
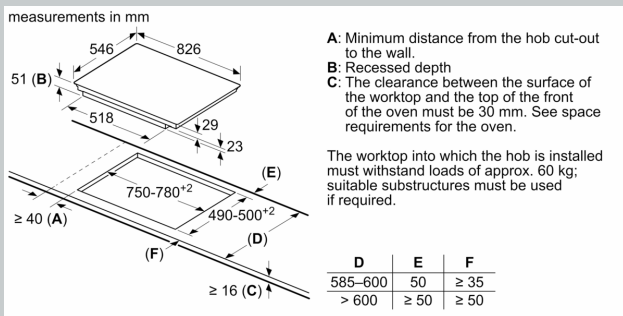
① Ventilation gap must be present

All measurements in mm



① Ventilation gap must be present.

Measurements in mm



Measurements in mm