

N 70, DOMINO ELECTRIC HOB, 30 CM, BLACK,  
TL13FD9T8



Z9914X0 Connecting strip

Standalone electric hob with TouchControl

- ✓ Touch Control – Control your hob with a simple touch.
- ✓ Power Boost – An extra surge of heat when you need fast results.

Product name/family: .....Vario/Domino cooking zone cera  
 Product name/family: .....Vario/Domino cooking zone cera  
 Built-in / Free-standing: ..... Built-in  
 Built-in / Free-standing: ..... Built-in  
 Energy input: ..... Electric  
 Energy input: ..... Electric  
 Number of cooking zones: ..... 2  
 Number of cooking zones: ..... 2  
 Required niche size for installation (HxWxD): ..... 37 x x mm  
 Required niche size for installation (HxWxD): ..... 37 x x mm  
 Width of the appliance: ..... 306 mm  
 Width of the appliance: ..... 306 mm  
 Dimensions: ..... 37x306x546 mm  
 Dimensions: ..... 37x306x546 mm  
 Dimensions of the packed product (HxWxD): . 130 x 490 x 630 mm  
 Dimensions of the packed product (HxWxD): . 130 x 490 x 630 mm  
 Net weight: ..... 4.5 kg  
 Net weight: ..... 4.5 kg  
 Gross weight: ..... 5.4 kg  
 Gross weight: ..... 5.4 kg  
 Residual heat indicator: ..... Separate  
 Residual heat indicator: ..... Separate  
 Location of control panel: ..... Front  
 Location of control panel: ..... Front  
 Basic surface material: ..... Ceramic  
 Basic surface material: ..... Ceramic  
 Color of surface: .....Black, Stainless steel  
 Color of surface: .....Black, Stainless steel  
 Color of frame: .....Stainless steel  
 Color of frame: .....Stainless steel  
 Length electrical supply cord: ..... 100.0 cm  
 Length electrical supply cord: ..... 100.0 cm  
 EAN code: .....4242004259534  
 EAN code: .....4242004259534  
 Fuse protection: .....16 A  
 Fuse protection: .....16 A  
 Voltage: ..... 220-240 V  
 Voltage: ..... 220-240 V  
 Frequency: .....50; 60 Hz  
 Frequency: .....50; 60 Hz



## N 70, DOMINO ELECTRIC HOB, 30 CM, BLACK, TL13FD9T8

### Flexibility of cooking zones

- Ring zone double: use regular or larger cookware on the extendable cooking zone.
- Cooking zone middle: 120 mm, 180 mm, 1 KW (max. power 2.3 KW)
- Cooking zone middle: 145 mm, 1.2 KW

### Usage convenience

- TouchControl: directly control the power with imprinted touch bar.
- Variable 17-stage power settings for each zone: precisely adapt the heat with 17 power levels (9 main levels and 8 intermediate levels).
- Keep warm function: Keep Warm Function: keep dishes warm at preset low power level.
- Timer with automatic shut off for all zones
- : switches off the cooking zone at the end of the time set (e.g. for boiled eggs).
- LED timer for each zone with switch off function and acoustic signal
- : an alarm sounds at the end of the time set (e.g. for pasta).
- Count up timer
- : shows how much time has passed since starting the timer (e.g. for potatoes).

### Time saving & efficiency

- Front: boil water more quickly thanks to 20% more energy than at the highest standard level.
- ReStart function: in case of unintentional switch-off, this feature restores all previous settings by switching on the hob again within 4 seconds.

### Design

- 30 cm: space for 2 pots or pans.
- Ceramic glass on stainless steel trim

### Safety

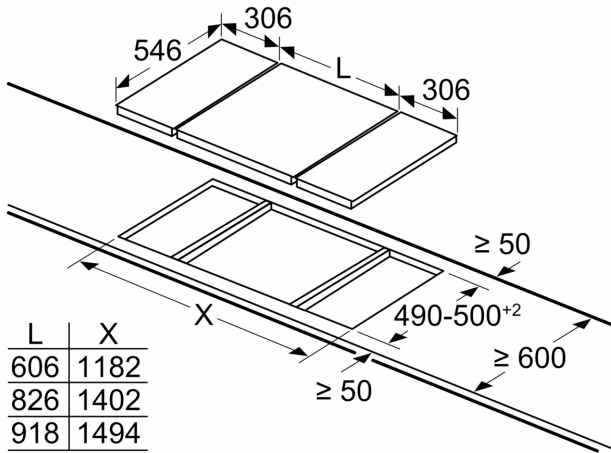
- 2 stage residual heat indicators: indicates which cooking zones are still hot or warm.
- Control panel lock: prevent unintended activation of the hob.
- Control panel suspension: wipe overboiled liquids without unintentionally changing settings (blocking all touch buttons for 30 seconds).
- Main switch: switch off all cooking zones at the touch of a button.
- Power on indicator light: indicates if the hob is heating.
- Safety cut out facility: for safety reasons, heating stops after a preset time if not used.
- Energy consumption display: shows the electricity consumption of the last cooking process.

### Installation

- Dimensions of the product (HxWxD mm): 37 x 306 x 546
- Required niche size for installation (HxWxD mm) : 37 x 270 x (490 - 500)
- Min. worktop thickness: 16 mm
- Connected load: 3.5 KW
- Power cord: 1 m, connected directly

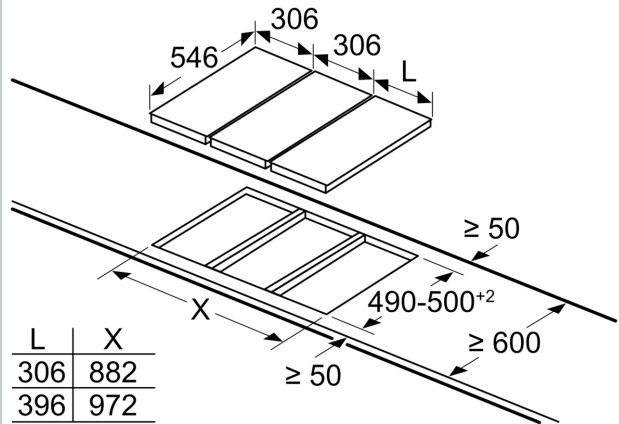
N 70, DOMINO ELECTRIC HOB, 30 CM, BLACK, TL13FD9T8

measurements in mm



When installing two Domino units right next to a hob, two assembly kits (Z9914X0) are required.

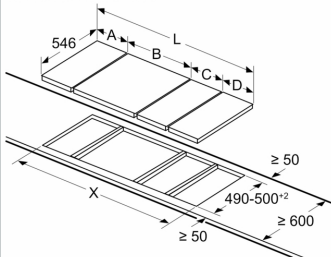
measurements in mm



When installing two or more Domino units side-by-side, one or more assembly kits are required (2 units = 1 assembly kit; 3 units = 2 assembly kits, etc.).

measurements in mm

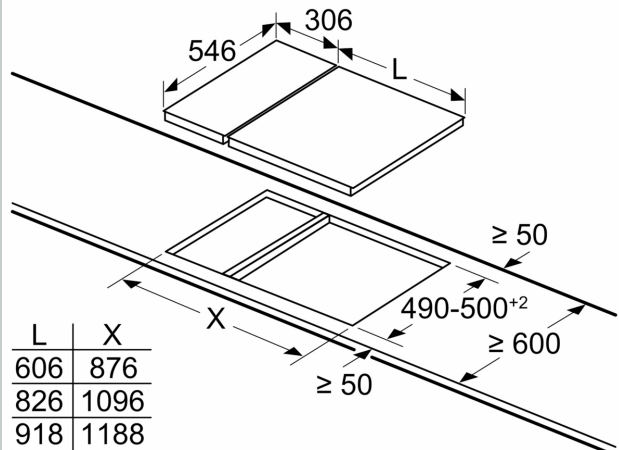
Picture for the table: Domino combination options with corresponding devices and cut-out dimensions



When installing two or more elements side-by-side, one or more installation kits are required (2 elements = 1 installation kit; 3 elements = 2 installation kits, etc.).

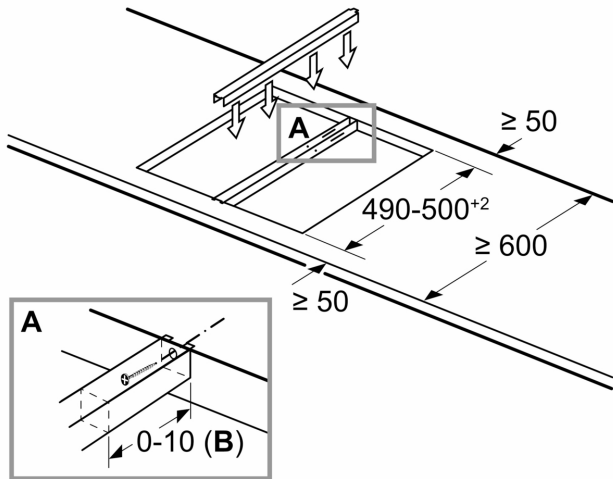
Cut-out dimension (X) depends on the combination; see table:

measurements in mm



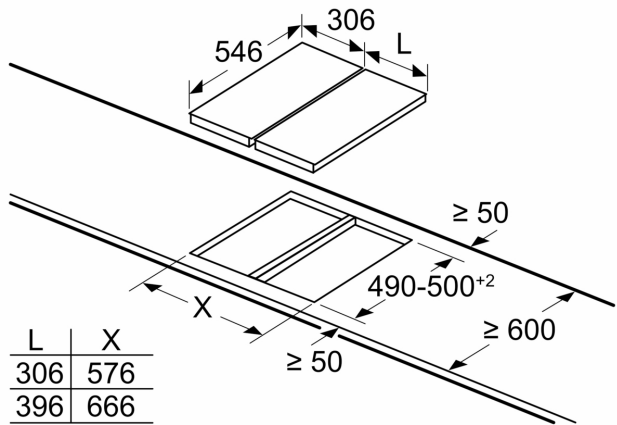
When installing a Domino unit right next to a hob, an assembly kit (Z9914X0) is required.

measurements in mm  
Assembly kit (Z9914X0) for Domino



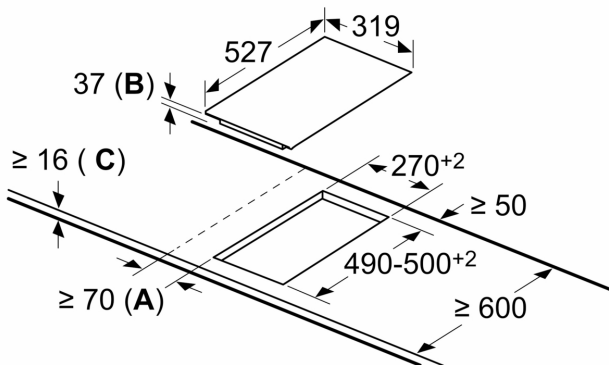
**B:** Dependent on the cut-out depth

measurements in mm



When installing two or more Domino units side-by-side, one or more assembly kits are required (2 units = 1 assembly kit; 3 units = 2 assembly kits, etc.).

measurements in mm



**A:** Minimum distance from the hob cut-out to the wall.  
**B:** Recessed depth  
**C:** With fitted oven underneath min. 20, possibly more; see space requirements for the oven.

Domino combination options with corresponding appliance and cut-out dimensions

Width type: 30 40 60 70 80 90  
Appliance width: 306 396 606 708 826 918

	A	B	C	D	L	X
2x30	306	306	-	-	612	576
1x30, 1x40	306	396	-	-	702	666
1x30, 1x60	306	606	-	-	912	876
1x30, 1x70*	306	708	-	-	1014	978
1x30, 1x80	306	826	-	-	1132	1096
1x30, 1x90	306	918	-	-	1224	1188
2x40	396	396	-	-	792	756
1x40, 1x60	396	606	-	-	1002	966
1x40, 1x70*	396	708	-	-	1104	1068
1x40, 1x80	396	826	-	-	1222	1186
1x40, 1x90	396	918	-	-	1314	1278
3x30	306	306	306	-	918	882
2x30, 1x40	306	306	396	-	1008	972
2x30, 1x60	306	306	606	-	1218	1182
2x30, 1x70*	306	306	708	-	1320	1284
2x30, 1x80	306	306	826	-	1438	1402
2x30, 1x90	306	306	918	-	1530	1494
1x30, 2x40	306	396	396	-	1098	1062
1x30, 1x40, 1x60	306	396	606	-	1308	1272
1x30, 1x40, 1x80	306	396	826	-	1528	1492
1x30, 1x40, 1x90	306	396	918	-	1620	1584
3x40	396	396	396	-	1188	1152
2x40, 1x60	396	396	606	-	1398	1362
1x30, 1x40, 1x70*	306	396	708	-	1410	1374
4x30	306	306	306	306	1224	1188
3x30, 1x40	306	306	306	396	1314	1278
2x30, 2x40	306	306	396	396	1404	1368
1x30, 3x40	306	396	396	396	1494	1458

\* Not possible with 70 cm induction hob