

Built-in double oven, Black  
U17M42S3GB



COOKING PASSION SINCE 1877



Included accessories

2 x baking and roasting shelf cranked, 1 x insert grid, 1 x cookbook, 1 x universal pan

Optional accessories

Z1272X0 ACCESSORIES COOKER/OVEN  
Z1332X0 Accessory  
Z1342X0 Accessory

Features

Technical Data

Color / Material Front : Black  
Construction type : Built-in  
Integrated Cleaning system : No  
Dimensions of the product (mm) : 717 x 594 x 550  
Dimensions of the packed product (HxWxD) (mm) : 800 x 690 x 660  
Control Panel Material : metal lacquered  
Door Material : Glass  
Net weight (kg) : 50.065  
Usable volume of cavity (l) : 35  
Cooking method : Conventional heat, Full width grill  
First cavity material : Enamelled  
Temperature control : mechanical  
Number of interior lights : 1  
Approval certificates : CE, VDE  
Length of electrical supply cord (cm) : 0  
EAN code : 4242004151494  
Energy efficiency class (2010/30/EC) : B  
Energy consumption per cycle conventional (2010/30/EC) : 0.79  
Energy efficiency class (2010/30/EC) - cavity 2 : A  
Energy consumption per cycle conventional - cavity 2 (2010/30/EC) : 0.89  
Energy consumption per cycle forced air convection - cavity 2 (2010/30/EC) : 0.80  
Energy efficiency index (2010/30/EC) : 112.9  
Energy efficiency index cavity 2 (2010/30/EC) : 105.3  
Connection rating (W) : 4100  
Current (A) : 20  
Voltage (V) : 240  
Frequency (Hz) : 50  
Plug type : no plug



4 242004 151494

## Built-in double oven, Black

U17M42S3GB

### Features

#### Top and main oven features

##### Features

- Silver display EasyClock
- QuickConnect shelf supports
- Framed glass inner doors
- Triple glazed doors
- Heat reflective glass

##### Design

- Bevelled metal fascia
- Symmetrical design
- Bevelled oval controls
- Retractable control dials
- 'U-form' door design
- Curved bevelled bar handles

##### Standard accessories

- 1 full width enamel tray
- 1 high/low wire shelf
- 2 anti-tip flat wire shelves

##### Optional accessories

- System steamer N8642X0EU
- Baking stone
- # GN Ceramic dish, 38mm deep Z1665X0
- # GN Ceramic dish, 38mm deep Z1685X0

#### Top oven additional features

##### Features

- 1 x 25 Watt lamp
- 2 shelf positions
- TitanEnamel
- CeramiClean® liners (back, roof)

##### Performance/technical information

- 35 litre capacity
- Energy efficiency rating B

#### Main oven additional features

##### Features

- Automatic on/off programmer

##### Interior light

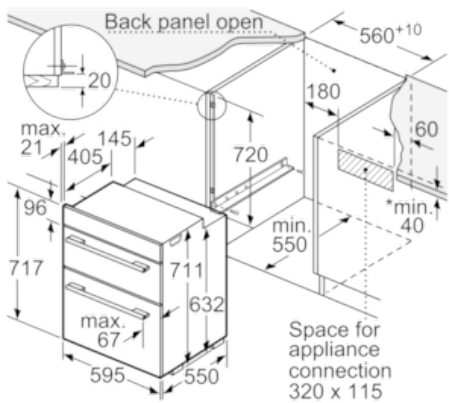
- 3 shelf positions
- TitanEnamel
- CeramiClean® liners (back, roof)

##### Performance/technical information

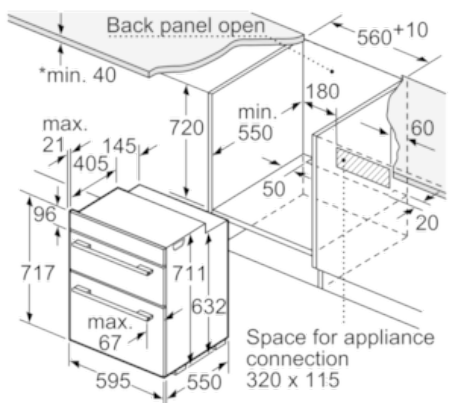
- 50 litre capacity
- Energy efficiency rating A
- 4.1 KW

Built-in double oven, Black  
 U17M42S3GB

Dimensioned drawings



\* For installation under an induction hob, min. 50 measurements in mm



\* For installation under an induction hob, min. 50 measurements in mm