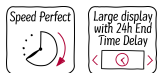


WASHER-DRYER, 8/5 KG, 1400 RPM  
UNA341U8GB



- ✓ Optimum washing results in 65% less time with SpeedPerfect.
- ✓ Powerful, very quiet and long-lasting EcoSilence Drive motor.
- ✓ Large display for easier programme navigation and more intuitive operation of the appliance with wash programme time delay of up to 24 hours.

Energy Efficiency Class Wash/Dry cycle(Regulation): .....	E
Energy Efficiency Class Eco 40-60 programme (Regulation): .....	C
Weighted energy consumption in kWh per 100 full Wash/Dry cycles: .....	313 kWh
Weighted energy consumption in kWh per 100 washing cycles of eco 40-60 programme: .....	63 kWh
Maximum capacity in kg in a Wash/Dry cycle: .....	5.0
Maximum capacity in kg in a wash cycle: .....	8.0
The water consumption of the full wash and dry cycle in liters per cycle: .....	70 l
The water consumption of the eco programme in liters per cycle: .....	41 l
Duration of the full wash and dry cycle in hours and mins at rated capacity: .....	7:30 h
Duration of eco 40-60 programme in hours and mins at rated capacity: .....	3:32 h
Spin-drying efficiency class of eco 40-60 programme: .....	B
Airborne acoustical noise emissions : .....	70 dB(A) re 1pW
Airborne acoustical noise emission class: .....	A
Built-in / Free-standing: .....	Free-standing
Removable top: .....	No
Door hinge: .....	Left
Length electrical supply cord: .....	210.0 cm
Dimensions of the product: .....	848x598x590 mm
Net weight: .....	74.2 kg
Drum volume: .....	60 l
EAN code: .....	4242004253341



## WASHER-DRYER, 8/5 KG, 1400 RPM UNA341U8GB

### Performance

- Energy Efficiency Class Wash and Dry<sup>1</sup>: E
- Energy Efficiency Class Washing<sup>2</sup>: C
- Energy<sup>3</sup> / Water<sup>4</sup> Wash and Dry: 313 kWh / 70 litres
- Energy<sup>5</sup> / Water<sup>6</sup> Washing: 63 kWh / 41 litres
- Load capacity Wash and Dry / Washing: 1 - 5 kg / 1 - 8 kg
- Programme duration<sup>7</sup> Wash and Dry / Washing: 7:30 h:min / 3:32 h:min
- Spin drying efficiency class: EU19\_spin efficiency class: B
- Spin speed<sup>\*\*</sup>: 600 - 1400 rpm
- Noise level: 70 dB (A) re 1 pW
- Noise efficiency class: A

### Programmes/functions

- Standard programmes for washing: Cottons, Easy-Care, Delicates/Silk, wool/handwash
- Special programmes washing: Rapid 15, Stain - Red wine, Mixed Load, Drain / Spin, Single rinse
- Most common washing programmes can be used as solo-drying programme or as washing and drying in one go programme
- Standard programmes for drying: Cottons, Easy-Care
- Special programmes drying: Refresh, Intensive dry, Low heat drying program, Wash & Dry 60'

### Key features

- Options washing: Easy iron, Spin speed selection, SpeedPerfect, Start / Pause, Temperature selection, prewash
- Options drying: Drying aim
- Drying options for most wash programmes
- autoDry function, Timed drying programmes

### Additional features

- Large LED-Display for programme status indication, max. spin speed, remaining time and 24 h end time delay and load recommendation
- Fully electronic control dial for all wash and special programmes
- Drum volume: 63 litres
- Large white door with 165° opening
- EcoSilence Drive
- AntiVibration Design - for more stability and quietness
- Sound insulation by additional noise reduction material
- Maintenance free condenser: automatic fluff removal
- Eltek hose
- Foam detection system
- Overdosage indication
- Safeguard monitoring system adjusts load distribution
- Child safety lock
- Acoustic signals: Buzzer
- Detergent dispensing: From front
- Divider for Liquid Detergent

### Technical Information

- Slide-under installation

- Dimensions (H x W): 84.8 cm x 59.8 cm
- Appliance depth: 59.0 cm
- Appliance depth incl. door: 63.5 cm
- Appliance depth with open door: 107.3 cm

<sup>1 2</sup> Scale of Energy Efficiency Classes from A to G

<sup>3</sup> Energy consumption in kWh per 100 complete cycles (in Eco 40-60 programme)

<sup>4</sup> Water consumption in litres per complete cycle (in Eco 40-60 programme)

<sup>5</sup> Energy consumption in kWh per 100 washing cycles (in Eco 40-60 programme)

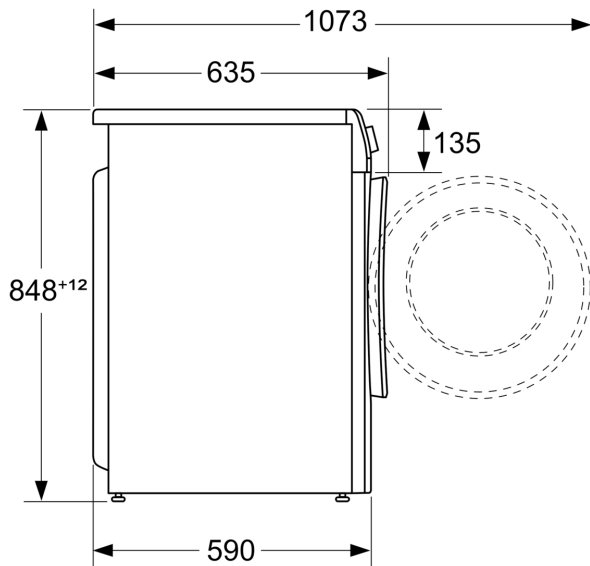
<sup>6</sup> Weighted water consumption in litres per washing cycle (in Eco 40-60 programme)

<sup>7</sup> Duration of Eco 40-60 programme, Wash and Dry cycle / Wash only cycle

\*\* Values are rounded.

WASHER-DRYER, 8/5 KG, 1400 RPM  
UNA341U8GB

measurements in mm



measurements in mm

