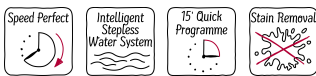


WASHING MACHINE, FRONT LOADER, 9 KG, 1400 RPM
W244GG09GB



Washing Machine with Stain Removal programmes to avoid manual pre-treatment and large LED Display for easy operation.

- ✓ Speed Perfect – Optimal washing results in up to 65% less time.
- ✓ Intelligent Stepless Water System – Smart sensors reduce use of water.
- ✓ Quick 15' – Washes, rinses, and spins in just 15 minutes
- ✓ Efficient Silent Drive with 10-year warranty – quiet motor and peace of mind.
- ✓ Stain Removal – Special Stain Removal programmes specifically target grease, tomato, and red wine stains

Energy Efficiency Class: A
 Weighted energy consumption in kWh per 100 washing cycles of eco 40-60 programme: 46 kWh
 Maximum capacity in kg: 9.0 kg
 The water consumption of the eco programme in liters per cycle: 48 l
 Duration of eco 40-60 programme in hours and mins at rated capacity: 3:48 h
 Spin-drying efficiency class of eco 40-60 programme: B
 Airborne acoustical noise emission class: A
 Airborne acoustical noise emissions : 71 dB(A) re 1pW
 Built-in / Free-standing: Free-standing
 Dimensions of the product: 848x598x590 mm
 Net weight: 73.5 kg
 Connection Rating: 2300 W
 Fuse protection: 10 A
 Voltage: 220-240 V
 Frequency: 50-60 Hz
 Length electrical supply cord: 210.0 cm
 Door hinge: Left
 Wheels: No
 EAN code: 4242004261797
 Installation typology: Freestanding



WMZ2381 Extension for cold water inlet /Aquastop
 Z7080X0 Accessory

WASHING MACHINE, FRONT LOADER, 9 KG, 1400
RPM
W244GG09GB

Performance

- Energy Efficiency Class¹: A
- Energy² / Water³: 46 kWh / 48 litres
- Load capacity: 1 - 9 kg
- Programme duration⁴: 3:48 h:min
- Spin drying efficiency class: B
- Spin speed^{**}: 400 - 1400 rpm
- Noise level: 71 dB (A) re 1 pW
- Noise efficiency class: A

¹ Scale of Energy Efficiency Classes from A to G

² Energy consumption in kWh per 100 cycles (in programme Eco 40-60)

³ Weighted water consumption in litres per cycle (in programme Eco 40-60)

⁴ Duration of Eco 40-60 programme

^{**} Values are rounded.

Programmes/functions

- Touch control buttons: Less Ironing, Ready in, stain selection, start/pause with reload function, Temperature, SpeedPerfect, Prewash, Extra Rinse, Spin speed reduction/Rinse Hold
- Standard programmes: cottons, easy care, delicates, wool hand wash
- Special programmes: Drum clean with reminder, Shirts, jeans/dark laundry, outdoor, Drain / Spin, Mixed Load, Single rinse, Super Quick 15/30, Hygiene
- Safeguard monitoring system adjusts load distribution

Key features

- The autoStain Removal System (ASR) - 4 stain removal options at the touch of a button
- AntiVibration Design - for more stability and quietness
- Eco Silence drive with 10 year warranty

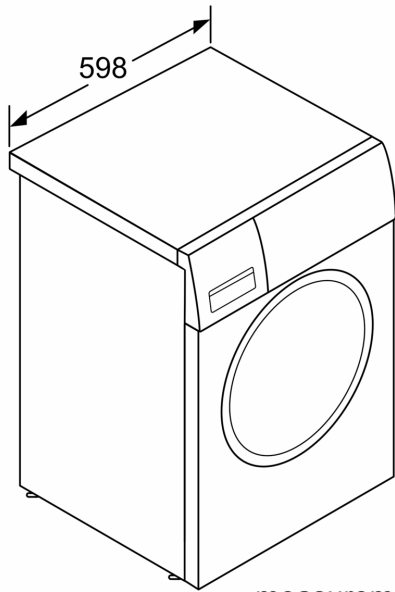
Additional features

- Large LED-Display for programme status indication, max. spin speed, remaining time and 24 h end time delay and load recommendation
- Hygiene Plus: clean laundry and effective removal of germs
- Drum volume: 65 litres
- Drum clean with reminder function
- Reload facility
- EcoSilence Drive
- The autoStain Removal System (ASR)
- Detergent dispensing: easy clean
- Divider for Liquid Detergent
- Multiple water protection
- soft dial
- Foam detection system
- Child safety lock
- Acoustic signals: Buzzer

Technical Information

- Slide-under installation
- Large white door with 165° opening
- Dimensions (H x W): 84.8 cm x 59.8 cm
- Appliance depth: 59.0 cm
- Appliance depth incl. door: 63.6 cm
- Appliance depth with open door: 107.3 cm

WASHING MACHINE, FRONT LOADER, 9 KG, 1400
RPM
W244GG09GB



measurements in mm

Measurements in mm

