

Built-in washing machine, 8 kg, 1400 rpm
W543BX0GB



COOKING PASSION SINCE 1877



A+++



The extremely quiet and durable built-in washing machine with 8 kg load capacity, practical short cycles and optimal water dispensing.

- ✓ Super Quick 15': Washes, rinses, and spins in just 15 minutes.
- ✓ Powerful, intelligent, very quiet EcoSilence Drive motor with 10-year-warranty.
- ✓ Large display for easier programme navigation and more intuitive operation of the appliance with wash programme time delay of up to 24 hours.
- ✓ AquaStop offers reliable protection against water damage.

Features

Technical Data

Construction type : Built-in
 Height of removable worktop (mm) : 820
 Dimensions of the product (mm) : 818 x 596 x 544
 Net weight (kg) : 72.474
 Connection rating (W) : 2300
 Current (A) : 10
 Voltage (V) : 220-240
 Frequency (Hz) : 50
 Approval certificates : CE, VDE
 Length of electrical supply cord (cm) : 210
 Washing performance class : A
 Door hinge : Left
 Wheels : No
 EAN code : 4242004212850
 Capacity cotton (kg) - NEW (2010/30/EC) : 8.0
 Energy consumption annual (kWh/annum) - NEW (2010/30/EC) : 157.00
 Power consumption in off-mode (W) - NEW (2010/30/EC) : 0.12
 Power consumption in left-on mode (W) - NEW (2010/30/EC) : 0.50
 Water consumption annual (l/annum) - NEW (2010/30/EC) : 9900
 Spin drying performance class : B
 Maximum spin speed (rpm) - NEW (2010/30/EC) : 1355
 Average washing time cotton 40C (partial load) - NEW (2010/30/EC) : 255
 Average washing time cotton 60C (full load) (min) - NEW (2010/30/EC) : 270
 Average washing time cotton 60C (partial load) - NEW (2010/30/EC) : 270
 Noise level washing (dB(A) re 1 pW) : 41
 Noise level spinning (dB(A) re 1 pW) : 67
 Installation type : Full-integrated

Optional accessories

WMZ2381
 Z7060X1 Height-adjustable feet
 Z7080X0



4 242004 212850

Features

Performance

- Capacity: 8 kg
- Energy Efficiency Class: A+++
- Maximum spin speed: 1400 rpm**
- B spin class
- Energy consumption :Weighted p.a. E-Consump. EU: 157 kWh kWh per year, based on 220 standard washing cycles
- Energy consumption: standard 60 °C cotton programme 0.85 kWh full load and 0.74 kWh partial load and 40 °C cotton programme 0.44 kWh partial load
- Water consumption 9900 litres per year, based on 220 standard washing cycles
- Cottons 60 Eco and Cottons 40 Eco are the standard washing programmes to which the information in the label relates. These programmes are suitable to clean normally soiled cotton laundry and are the most efficient programmes in terms of combined energy and water consumption.
- Programme time:60 °C cotton programme 270 min at full load 270 min at partial load and 40 °C cotton programme 255 min partial load
- Noise level washing : 41dB (A) re 1pW: Noise level spinning:67dB (A) re 1 pW
- Noise level spinning:67dB (A) re 1 pW:

Programmes/functions

- Special programmes: Extra Rinse, Drain / Spin, Mixed Load, Super Quick 15/30, 30°C, 30°C

Key features

- FlexPerfect - actively choose between either saving energy or time
- Touch control buttons: Ready in, start/pause with reload function, EcoPerfect, SpeedPefect, Spin speed reduction
- Continuous automatic load adjustment system

Additional features

- Reload Function – lets you add items even after the programme has started.
- Large display for programme progress indication, spin speed, remaining time, 24 hour end time delay and load recommendation.
- EcoSilence Drive
- EcoSilence drive with 10 year warranty
- AquaStop: Neff home appliance with lifetime warranty against water damage
- Foam detection system
- Safeguard monitoring system adjusts load distribution
- Divider for Liquid Detergent
- Buzzer to indicate the end of cycle
- Large white door with 130° opening and 30 cm porthole
- Furniture door is reversible
- Metal door catch

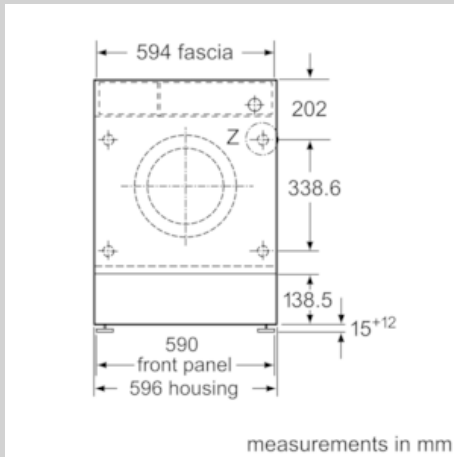
Technical Information

- adjustable base height: 15 cm
- adjustable base depth: 6.5 cm
- Dimensions (H X W X D): 81.8 x 59.6 x 57.4 cm
- Height adjustment with Cardan drive

** Values are rounded.

Built-in washing machine, 8 kg, 1400 rpm
W543BX0GB

Dimensioned drawings



Z detail

