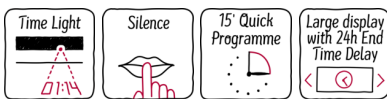


Built-in washing machine, 8 kg, 1400 rpm
W544BX0GB



A+++



The extremely quiet and durable built-in washing machine with 8 kg load capacity, special short cycles, stain removal programmes and TimeLight.

- ✓ TimeLight – the time remaining in the programme is projected onto the floor.
- ✓ Silence – the programme that runs especially quietly. Ideal for easy-care laundry.
- ✓ Super Quick 15': Washes, rinses, and spins in just 15 minutes.
- ✓ Powerful, intelligent, very quiet EcoSilence Drive motor with 10-year-warranty.
- ✓ Large display for easier programme navigation and more intuitive operation of the appliance with wash programme time delay of up to 24 hours.

Features

Technical Data

Construction type : Built-in
 Height of removable worktop (mm) : 820
 Dimensions of the product (mm) : 818 x 596 x 544
 Height for building under : 820.00
 Net weight (kg) : 72.874
 Connection rating (W) : 2300
 Current (A) : 10
 Voltage (V) : 220-240
 Frequency (Hz) : 50
 Approval certificates : CE, VDE
 Length of electrical supply cord (cm) : 210
 Washing performance class : A
 Door hinge : Left
 Wheels : No
 EAN code : 4242004212843
 Capacity cotton (kg) - NEW (2010/30/EC) : 8.0
 Energy consumption annual (kWh/annum) - NEW (2010/30/EC) : 137.00
 Power consumption in off-mode (W) - NEW (2010/30/EC) : 0.12
 Power consumption in left-on mode (W) - NEW (2010/30/EC) : 0.50
 Water consumption annual (l/annum) - NEW (2010/30/EC) : 9900
 Spin drying performance class : B
 Maximum spin speed (rpm) - NEW (2010/30/EC) : 1355
 Average washing time cotton 40C (partial load) - NEW (2010/30/EC) : 255
 Average washing time cotton 60C (full load) (min) - NEW (2010/30/EC) : 270
 Average washing time cotton 60C (partial load) - NEW (2010/30/EC) : 270
 Noise level washing (dB(A) re 1 pW) : 41
 Noise level spinning (dB(A) re 1 pW) : 67
 Installation type : Full-integrated

Optional accessories

WMZ2381	Extension for cold water inlet /AquaStop
Z7060X1	Height-adjustable feet
Z7080X0	Accessory



4 242004 212843

Features

Performance

- Capacity: 8 kg
- Energy Efficiency Class: A+++
- Maximum spin speed: 1400 rpm**
- Energy consumption :Weighted p.a. E-Consump. EU: 137 kWh kWh per year, based on 220 standard washing cycles
- Energy consumption: standard 60 °C cotton programme 0.78 kWh full load and 0.58 kWh partial load and 40 °C cotton programme 0.38 kWh partial load
- Weighted power consumption off-mode / left-on mode: 0.12 W / 0.5 W
- Water consumption 9900 litres per year, based on 220 standard washing cycles
- B spin class
- Cottons 60 Eco and Cottons 40 Eco are the standard washing programmes to which the information in the label relates. These programmes are suitable to clean normally soiled cotton laundry and are the most efficient programmes in terms of combined energy and water consumption.
- Programme time:60 °C cotton programme 270 min at full load 270 min at partial load and 40 °C cotton programme 255 min partial load
- Noise level washing : 41dB (A) re 1pW: Noise level spinning:67dB (A) re 1 pW
- Noise level spinning:67dB (A) re 1 pW:

Programmes/functions

- Special programmes: Dark wash, Shirts, Stain - butter/oil, Stain - Red wine, Stain - Tomatoes, Mixed Load, Super Quick 15/30, Quiet wash, Drum clean with reminder, rinse/spin/drain, wool/handwash, Standard cold - 40°C

Key features

- FlexPerfect - actively choose between either saving energy or time
- Touch control buttons: Less Ironing, Ready in, Temperature, start/pause with reload function, EcoPerfect, SpeedPefect, Extra Rinse, Spin speed reduction

Additional features

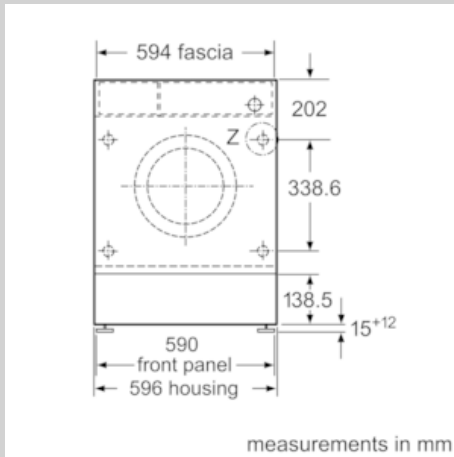
- TimeLight – The time remaining in the program is projected onto the floor.
- Reload Function – lets you add items even after the programme has started.
- Large display for programme progress indication, temperature, spin speed, remaining time, 24 hours end time delay and load recommendation
- EcoSilence Drive
- EcoSilence drive with 10 year warranty
- AquaStop: Neff home appliance with lifetime warranty against water damage
- Intelligent Water System - optimised water consumption during washing cycle
- Foam detection system
- Drum clean with reminder function
- Safeguard monitoring system adjusts load distribution
- Divider for Liquid Detergent
- Buzzer to indicate the end of cycle
- Large white door with 130° opening and 30 cm porthole
- Furniture door is reversible
- Metal door catch

Technical Information

- Continuous automatic load adjustment system
- adjustable base height: 15 cm
- adjustable base depth: 6.5 cm
- Dimensions (H X W X D): 81.8 x 59.6 x 57.4 cm
- Height adjustment with Cardan drive

Built-in washing machine, 8 kg, 1400 rpm
W544BX0GB

Dimensioned drawings



Z detail

