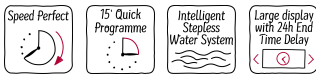


WASHING MACHINE, FRONT LOADER, 9 KG, 1400 RPM  
W7460X5GB



Washing Machine with EcoSilence Drive for powerful laundry care and large easy-to read display.

- ✓ Speed Perfect – Optimal washing results in up to 65% less time.
- ✓ Quick 15' – Washes, rinses, and spins in just 15 minutes
- ✓ Efficient Silent Drive with 10-year warranty – quiet motor and peace of mind.
- ✓ Intelligent Stepless Water System – Smart sensors reduce use of water.
- ✓ Large LED Display – Large display for easier navigation and wash programme delay of up to 24 hours

#### Features

##### Technical Data

Energy Efficiency Class: ..... C  
 Weighted energy consumption in kWh per 100 washing cycles of eco 40-60 programme: ..... 66 kWh  
 Maximum capacity in kg: ..... 9.0 kg  
 The water consumption of the eco programme in liters per cycle: 44 l  
 Duration of eco 40-60 programme in hours and mins at rated capacity: ..... 3:37 h  
 Spin-drying efficiency class of eco 40-60 programme: ..... B  
 Airborne acoustical noise emission class: ..... A  
 Airborne acoustical noise emissions : ..... 72 dB(A) re 1 pW  
 Construction type: ..... Free-standing  
 Height of removable worktop: ..... 0 mm  
 Dimensions of the product: ..... 848 x 598 x 590 mm  
 Net weight: ..... 68.3 kg  
 Connection rating: ..... 2300 W  
 Fuse protection: ..... 10 A  
 Voltage: ..... 220-240 V  
 Frequency: ..... 50 Hz  
 Length of electrical supply cord: ..... 210.0 cm  
 Door hinge: ..... Left  
 Wheels: ..... No  
 EAN code: ..... 4242004251828  
 Installation type: ..... Free-standing

#### Optional accessories

WMZ20490 Platform with pull-out  
 WMZ2200 Floor securing component  
 WMZ2380 Extension for cold water inlet /Aquastop



WASHING MACHINE, FRONT LOADER, 9 KG, 1400 RPM  
W7460X5GB

## Features

### Performance

- Energy Efficiency Class<sup>1</sup>: C
- Energy<sup>2</sup> / Water<sup>3</sup>: 66 kWh / 44 litres
- Load capacity: 1 - 9 kg
- Programme duration<sup>4</sup>: 3:37 h:min
- Spin drying efficiency class: B
- Spin speed<sup>\*\*</sup>: 400 - 1400 rpm
- Noise level: 72 dB (A) re 1 pW
- Noise efficiency class: A

<sup>4</sup> Duration of Eco 40-60 programme

<sup>\*\*</sup> Values are rounded.

### Programmes/functions

- Touch control buttons: Ready in, start/pause with reload function, Temperature, SpeedPerfect, Prewash, Spin speed reduction, Extra Rinse/Rinse Hold
- Standard programmes: cottons, easy care, delicates, wool hand wash
- Special programmes: Allergy +, Drum clean with reminder, Shirts, Jeans, Drain / Spin, Mixed Load, Sports wash, Single rinse, Super Quick 15/30
- Safeguard monitoring system adjusts load distribution

### Key features

- Eco Silence drive with 10 year warranty
- AntiVibration Design - for more stability and quietness
- Reload facility

### Additional features

- Large LED display for programme status indication, temperature, spin speed, remaining time and 24 hour time delay
- Drum clean with reminder function
- Detergent dispensing: easy clean
- Consumption indicator energy
- Multiple water protection
- Foam detection system
- Overdosage indication
- Child safety lock
- Acoustic signals: Buzzer

### Technical Information

- Dimensions (H x W): 84.8 cm x 59.8 cm
- Slide-under installation
- Drum volume: 63 litres
- Large silver-black grey door with 171° opening
- Appliance depth: 59.0 cm
- Appliance depth incl. door: 63.2 cm
- Appliance depth with open door: 106.3 cm

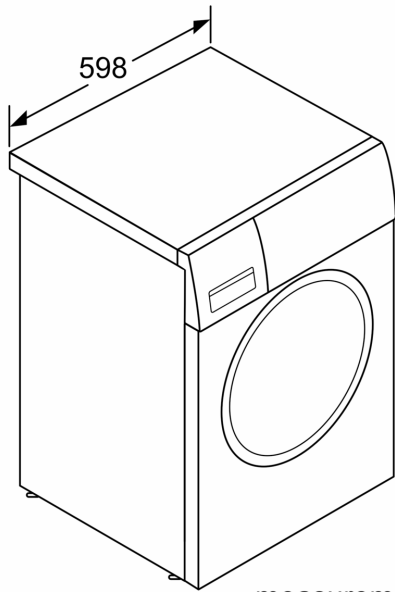
<sup>1</sup> Scale of Energy Efficiency Classes from A to G

<sup>2</sup> Energy consumption in kWh per 100 cycles (in programme Eco 40-60)

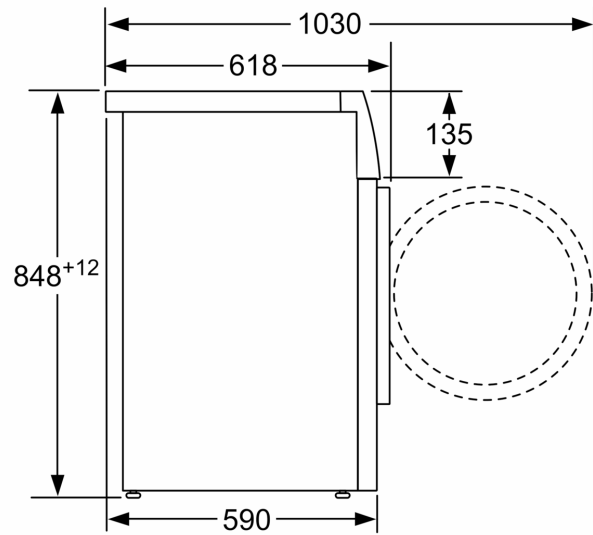
<sup>3</sup> Weighted water consumption in litres per cycle (in programme Eco 40-60)

WASHING MACHINE, FRONT LOADER, 9 KG, 1400 RPM  
W7460X5GB

Dimensioned drawings



measurements in mm



measurements in mm