

LONG-LIFE RECIRCULATION KIT, INITIAL  
EQUIPMENT  
Z51TD1X1



External recirculation kit with regenerative Long Life filter:  
Removes odors reliably over a period of up to 10 years.

- √ For recirculation operation
- √ Can be combined with slimline hoods and selected canopy hoods.
- √ Can be used multiple times, the regenerative active carbon filter is regenerated in the oven with a recommendation of every 4 months. Simply place in the oven for 2 hours at 200°C.
- √ For assembly in the upper cabinet

#### Features

##### Technical Data

Dimensions of the packed product (HxWxD): .....365x690x295 mm  
Pallet dimensions: ..... 200.0 x 80.0 x 120.0  
Standard number of units per pallet: ..... 20  
Net weight: ..... 7.2 kg  
Gross weight: ..... 8.7 kg  
EAN code: .....4242004249832



LONG-LIFE RECIRCULATION KIT, INITIAL  
EQUIPMENT  
Z511TD1X1

Features

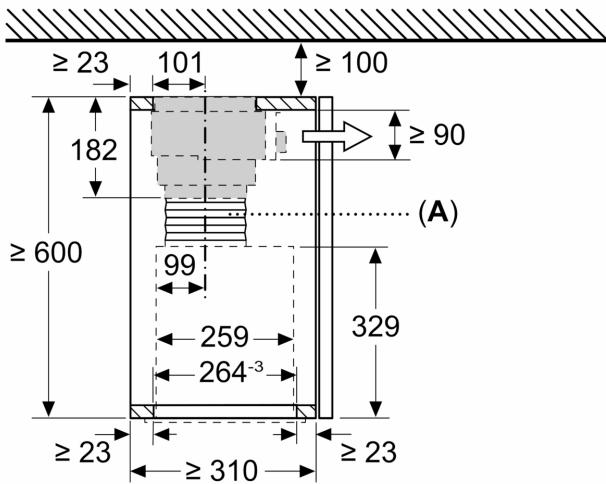
**Optional accessories**

- For recirculation operation
- Can be combined with slimline hoods and selected canopy hoods.
- Can be used multiple times, the regenerative active carbon filter is regenerated in the oven with a recommendation of every 4 months. Simply place in the oven for 2 hours at 200°C.
- For assembly in the upper cabinet

LONG-LIFE RECIRCULATION KIT, INITIAL  
EQUIPMENT  
Z511TD1X1

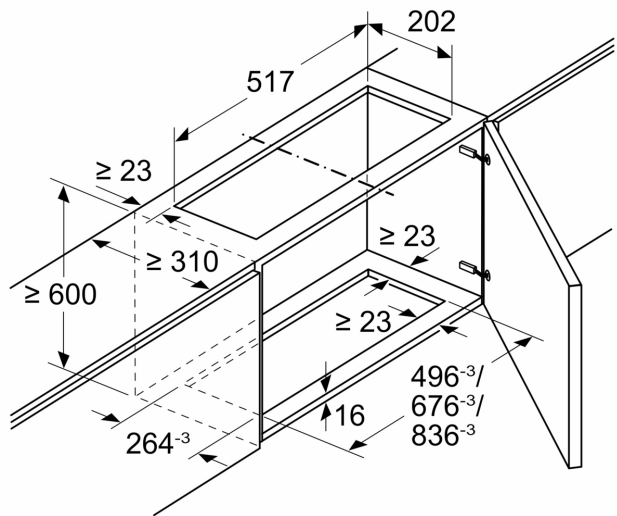
Dimensioned drawings

Measurements in mm  
**Installation of canopy hood with circulated air kit**

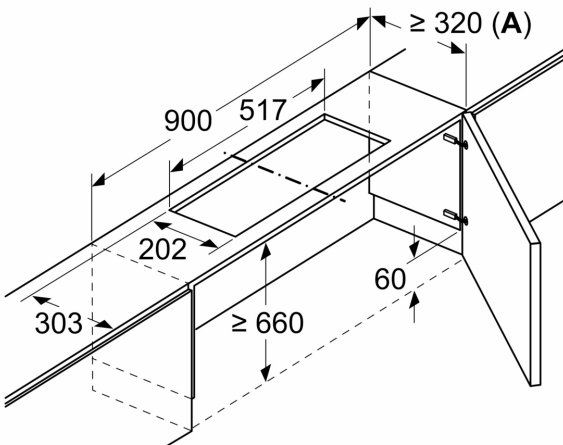


A: Flexible hose

Measurements in mm  
**Installation of canopy hood with circulated air kit**

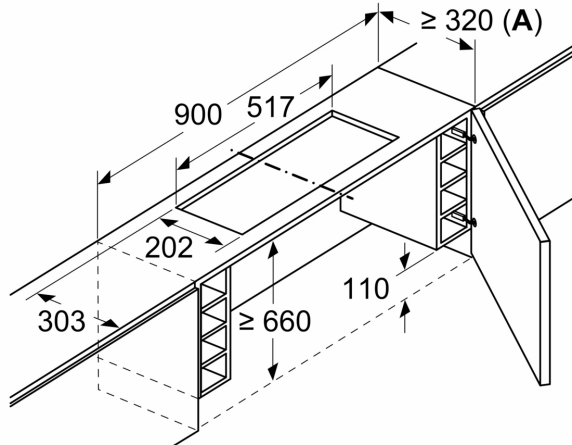


Measurements in mm  
**Installation of telescopic hood with circulated air kit and lowering frame**



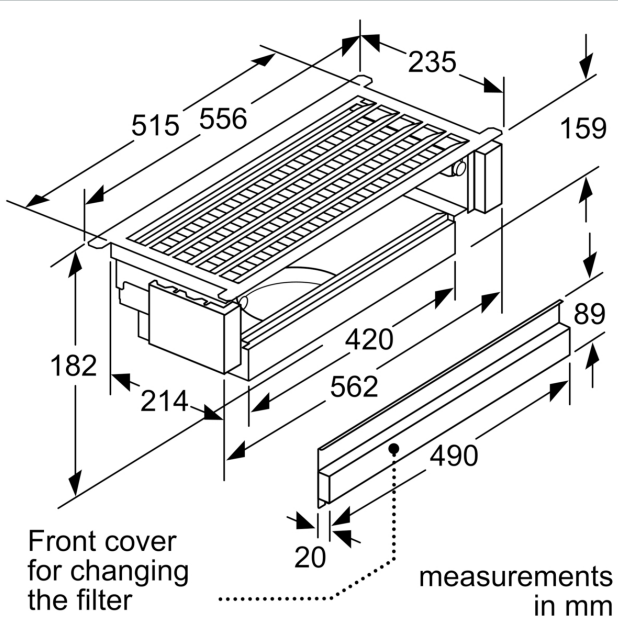
A: See combination table

Measurements in mm  
**Installation of telescopic hood with circulated air kit and lowering frame**

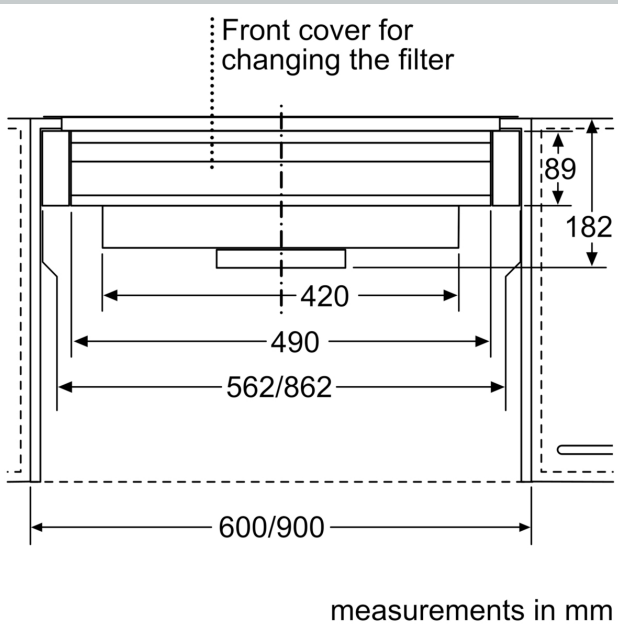
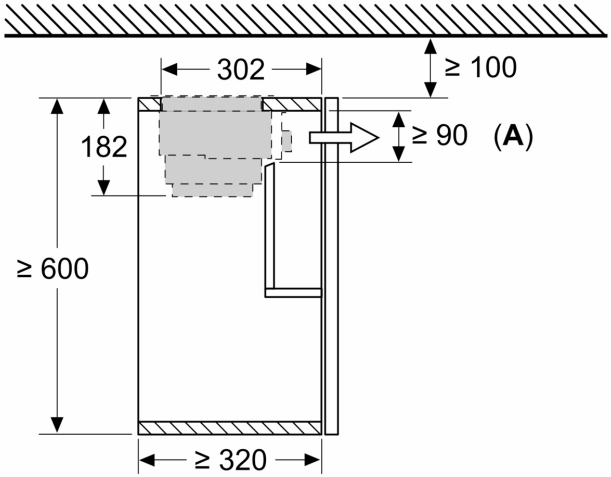


A: See combination table

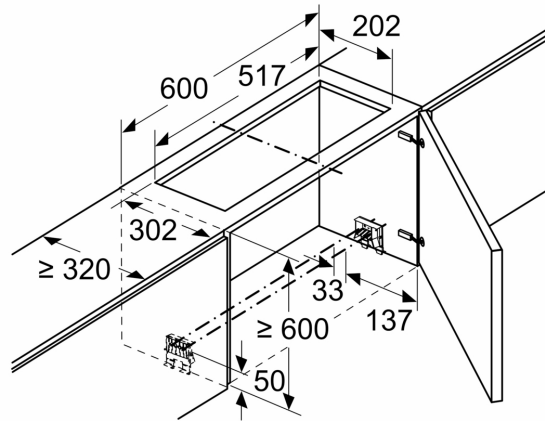
Dimensioned drawings



Measurements in mm  
**Installation of telescopic hood with circulated air kit**



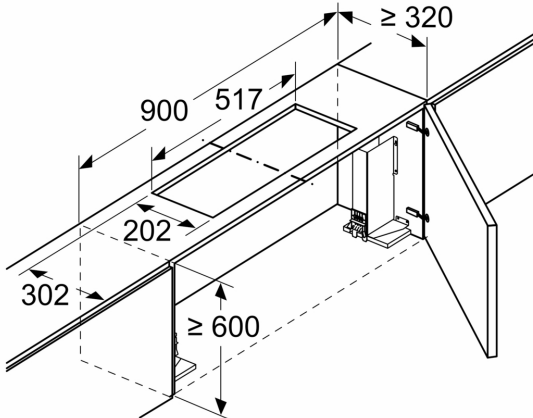
Measurements in mm  
**Installation of telescopic hood with circulated air kit**



Not possible to use a circulated air kit for cupboards with transverse cross-members (lifting doors)

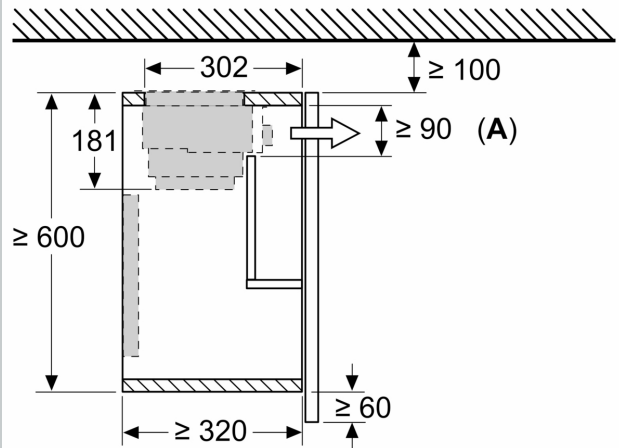
Dimensioned drawings

Measurements in mm  
**Installation of telescopic hood with circulated air kit**



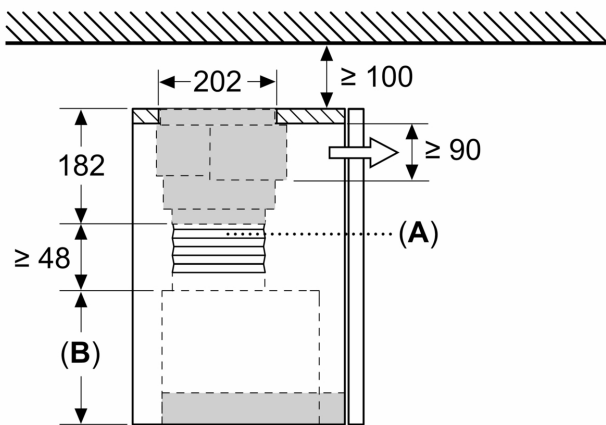
Not possible to use a circulated air kit for cupboards with transverse cross-members (lifting doors)

Measurements in mm  
**Installation of telescopic hood with circulated air kit and lowering frame**



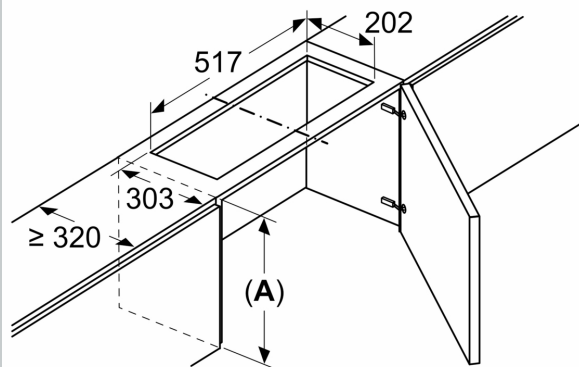
A: Filter change

Measurements in mm  
**Installation of integrated design hood with circulated air kit**



A: Flexible hose  
B: Appliance height

Measurements in mm  
**Installation of integrated design hood with circulated air kit**



Not possible to use a circulated air kit for cupboards with transverse cross-members (lifting doors)  
A:  $\geq$  appliance height + 230 mm