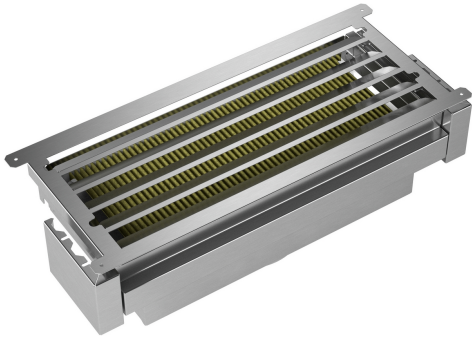


CLEAN AIR PLUS RECIRCULATION KIT, INITIAL
EQUIPMENT
Z51XC1X6



External recirculation kit with Clean Air Plus high performance filter: Cleans the air highly effective from odors and pollen.

√ Clean Air Plus odour filter – The recirculation filter absorbs a very high amount of kitchen aromas and an extremely high amount of allergy causing pollen.

Features

Technical Data

Dimensions of the packed product (HxWxD):365x300x695 mm
 Pallet dimensions: 196.0 x 80.0 x 120.0
 Standard number of units per pallet: 20
 Net weight: 5.0 kg
 Gross weight: 6.5 kg
 EAN code:4242004244912



CLEAN AIR PLUS RECIRCULATION KIT, INITIAL
EQUIPMENT
Z51XC1X6

Features

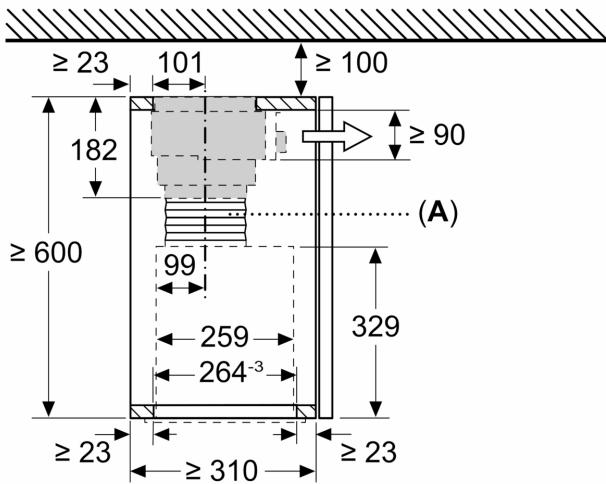
Optional accessories

- For recirculation operation
- Can be combined with slimline hoods and selected canopy hoods.
- Odour reduction > 90%
- Lifetime of CleanAir Plus odour filter 12-18 months
- Anti-fish functionality: Especially treated against fish smell
- Anti-pollen functionality: The filter retains 99% of airborne pollen and deactivates allergens which are retained by the filter.
- For assembly in the upper cabinet
- Consisting of filter housing with design cover, Clean Air Plus active carbon filter, flexible hose, 2 hose clamps and mounting material

CLEAN AIR PLUS RECIRCULATION KIT, INITIAL EQUIPMENT
Z51XC1X6

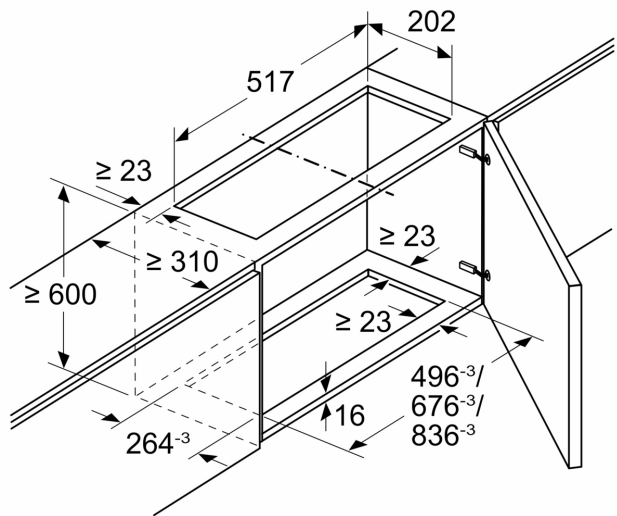
Dimensioned drawings

Measurements in mm
Installation of canopy hood with circulated air kit

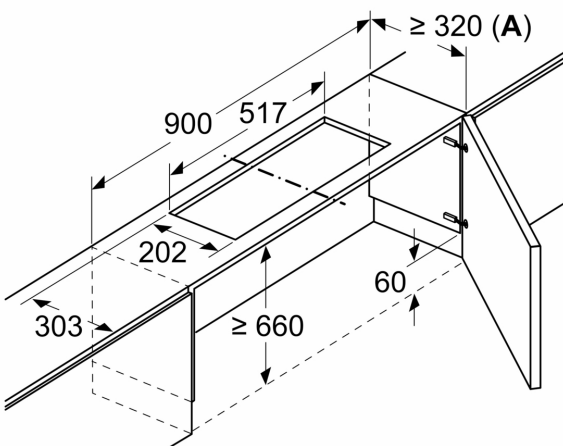


A: Flexible hose

Measurements in mm
Installation of canopy hood with circulated air kit

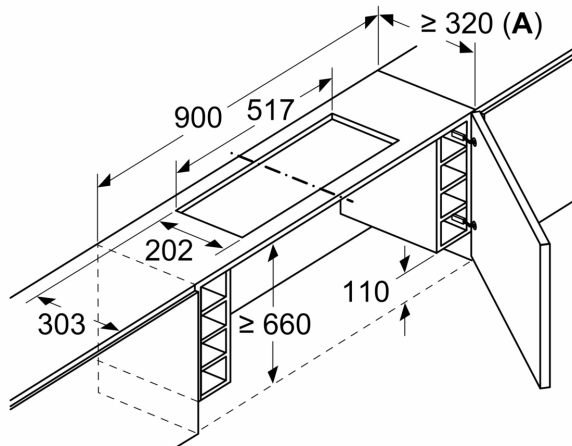


Measurements in mm
Installation of telescopic hood with circulated air kit and lowering frame



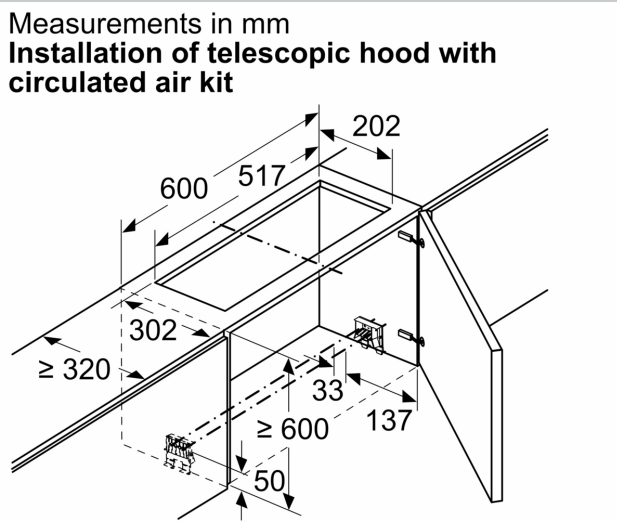
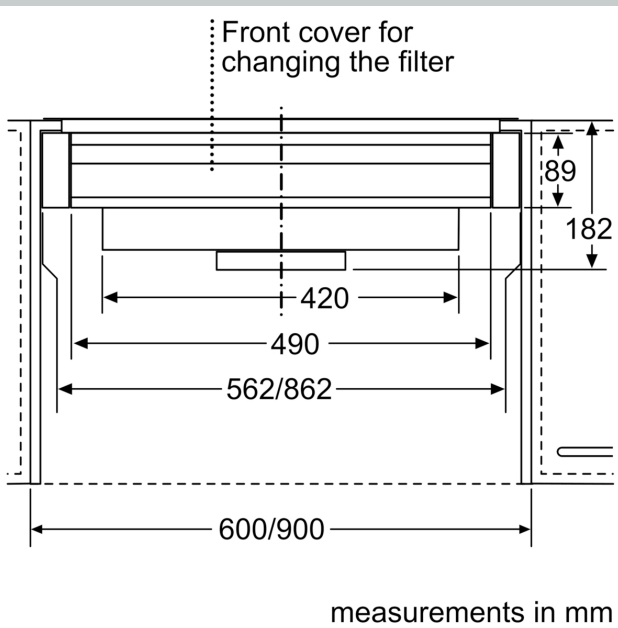
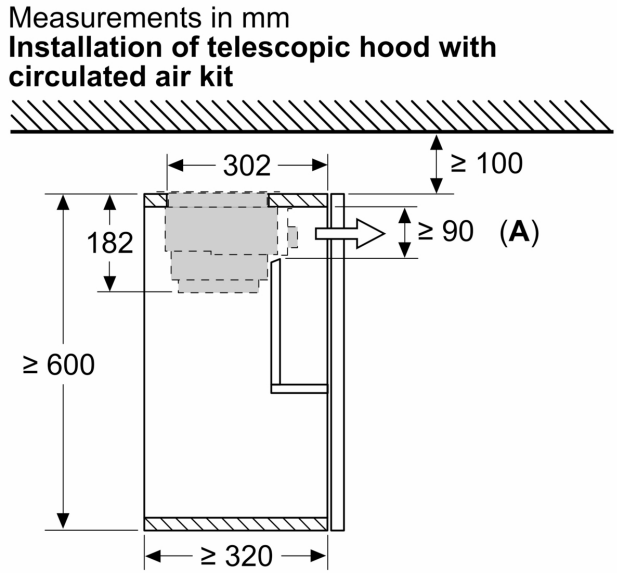
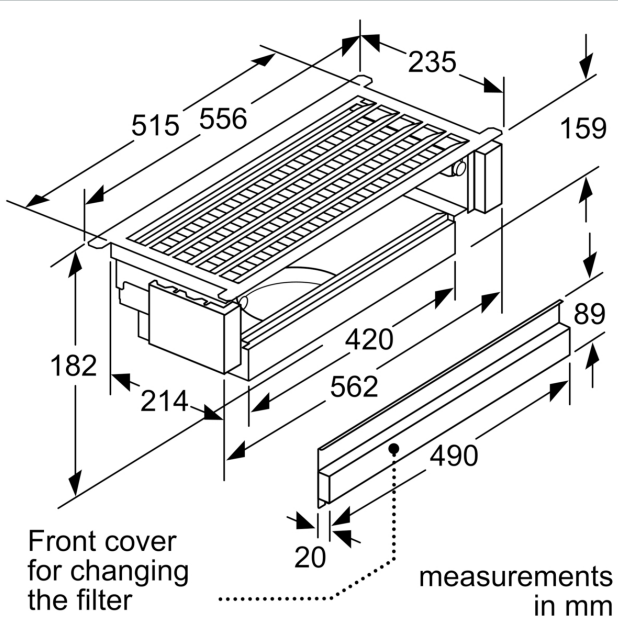
A: See combination table

Measurements in mm
Installation of telescopic hood with circulated air kit and lowering frame



A: See combination table

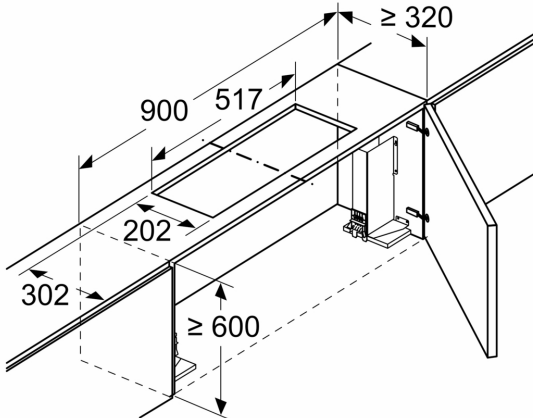
Dimensioned drawings



Not possible to use a circulated air kit for cupboards with transverse cross-members (lifting doors)

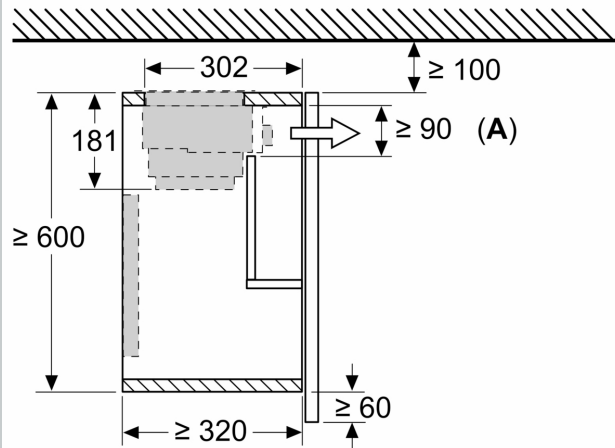
Dimensioned drawings

Measurements in mm
Installation of telescopic hood with circulated air kit



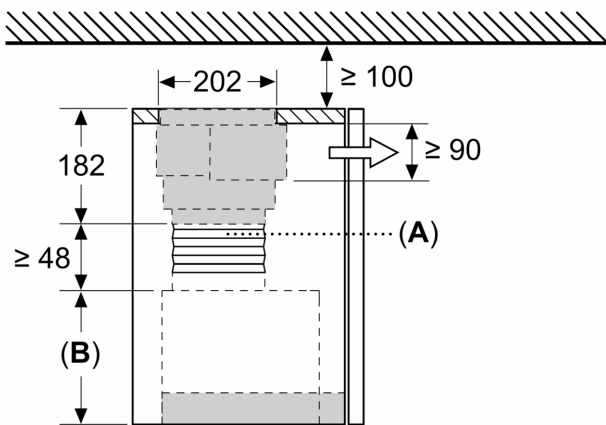
Not possible to use a circulated air kit for cupboards with transverse cross-members (lifting doors)

Measurements in mm
Installation of telescopic hood with circulated air kit and lowering frame



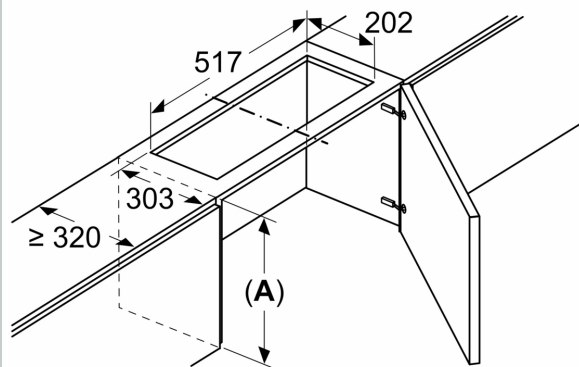
A: Filter change

Measurements in mm
Installation of integrated design hood with circulated air kit



A: Flexible hose
B: Appliance height

Measurements in mm
Installation of integrated design hood with circulated air kit



Not possible to use a circulated air kit for cupboards with transverse cross-members (lifting doors)
A: \geq appliance height + 230 mm