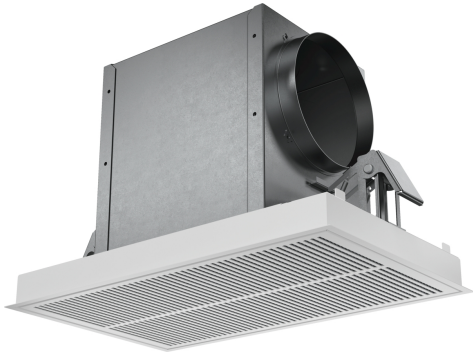


CLEAN AIR PLUS RECIRCULATION KIT, WHITE
Z52JCC1W6



Features

Technical Data

Dimensions of the packed product (HxWxD):445x400x590 mm
Pallet dimensions: 195.0 x 80.0 x 120.0
Standard number of units per pallet: 16
Net weight: 4.4 kg
Gross weight: 6.4 kg
EAN code:4242004244936



CLEAN AIR PLUS RECIRCULATION KIT, WHITE Z52JCC1W6

Features

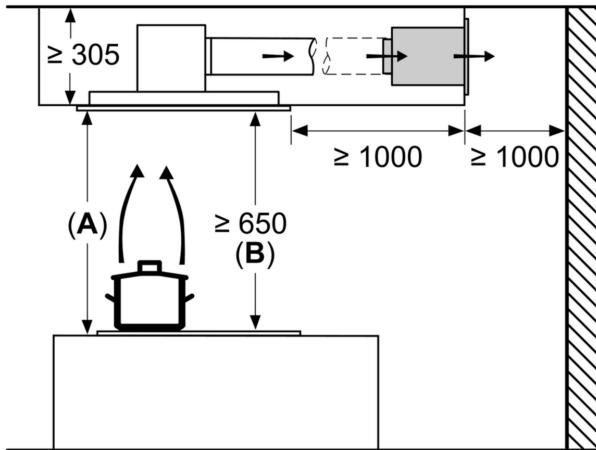
Optional accessories

- Clean Air Plus recirc.kit external white
- Colour: white
- For recirculation operation
- Combined with ceiling hoods
- Odour reduction > 90%
- Lifetime of CleanAir Plus odour filter 12-18 months
- Anti-fish functionality: Especially treated against fish smell
- Anti-pollen functionality: The filter retains 99% of airborne pollen and deactivates allergens which are retained by the filter.
- Connection pipe front, side or top

CLEAN AIR PLUS RECIRCULATION KIT, WHITE
Z52JCC1W6

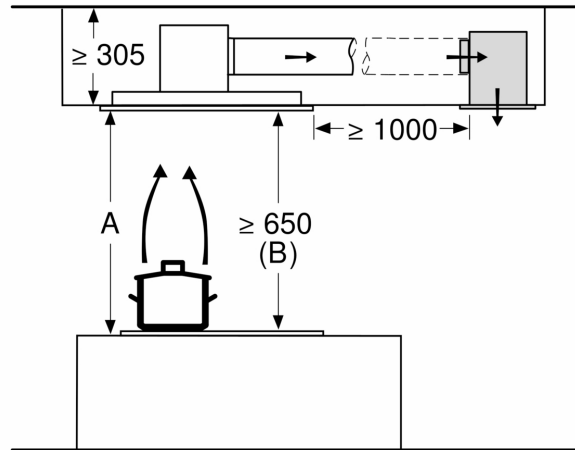
Dimensioned drawings

measurements in mm
Air recirculation

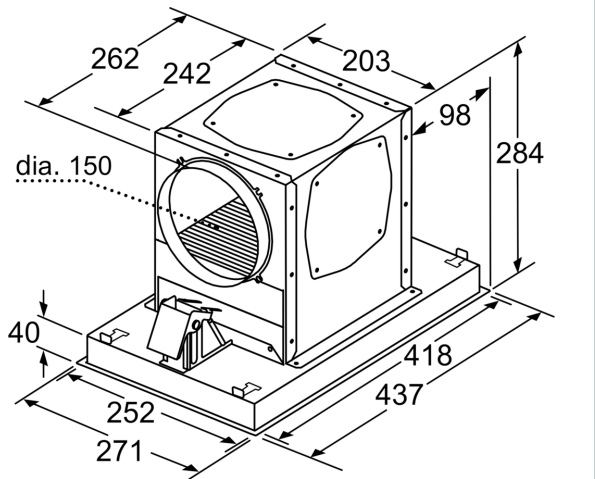


A: Optimum performance 700-1500
B: From upper edge of pan support

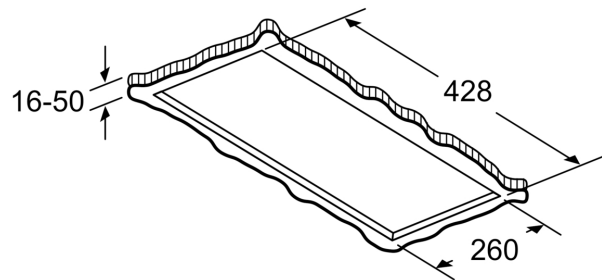
measurements in mm
Air recirculation



A: Optimum performance 700-1500
B: From upper edge of pan support



measurements in mm



measurements in mm