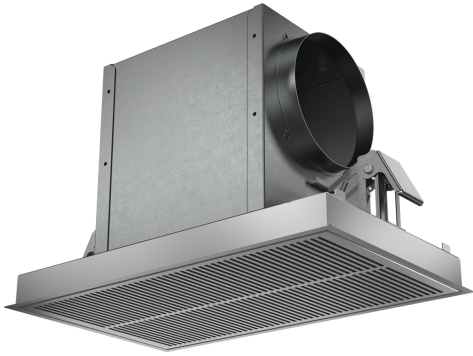


LONG-LIFE RECIRCULATION KIT, INITIAL
EQUIPMENT
Z52JCD0N0



- ✓ For recirculation operation
- ✓ Combined with ceiling hoods
- ✓ Improved reduction of odour compared to standard recirculation systems
- ✓ Can be used multiple times, the regenerative active carbon filter is regenerated in the oven with a recommendation of every 4 months. Simply place in the oven for 2 hours at 200°C.
- ✓ Reduction of Noise

Features

Technical Data

Dimensions of the packed product (HxWxD):445x400x790 mm
Pallet dimensions: 195.0 x 80.0 x 120.0
Standard number of units per pallet: 12
Net weight: 5.4 kg
Gross weight: 7.9 kg
EAN code:4242004236153



LONG-LIFE RECIRCULATION KIT, INITIAL
EQUIPMENT
Z52JCD0N0

Features

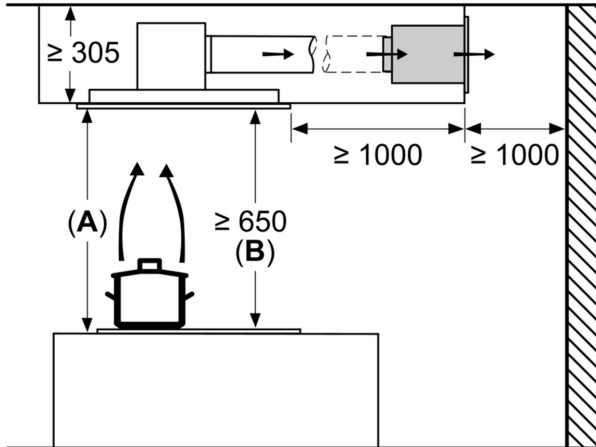
Optional accessories

- For recirculation operation
- Combined with ceiling hoods
- Improved reduction of odour compared to standard recirculation systems
- Can be used multiple times, the regenerative active carbon filter is regenerated in the oven with a recommendation of every 4 months. Simply place in the oven for 2 hours at 200°C.
- Reduction of Noise
- Extended replacement cycle of cleanAir active carbon filter
- Connection pipe front, side or top
- Consisting of filter housing with design panel and multiple regenerative CleanAir active carbon filter.

LONG-LIFE RECIRCULATION KIT, INITIAL
EQUIPMENT
Z52JCD0N0

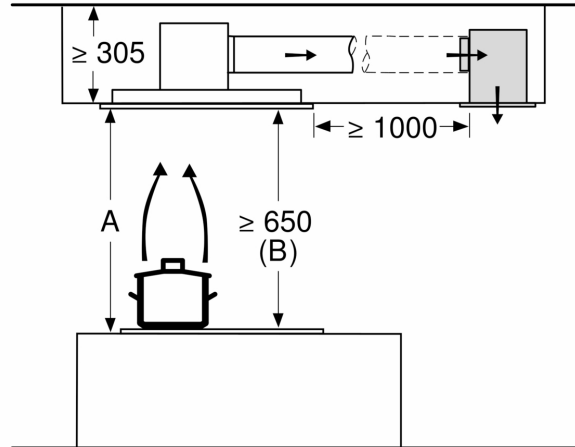
Dimensioned drawings

measurements in mm
Air recirculation

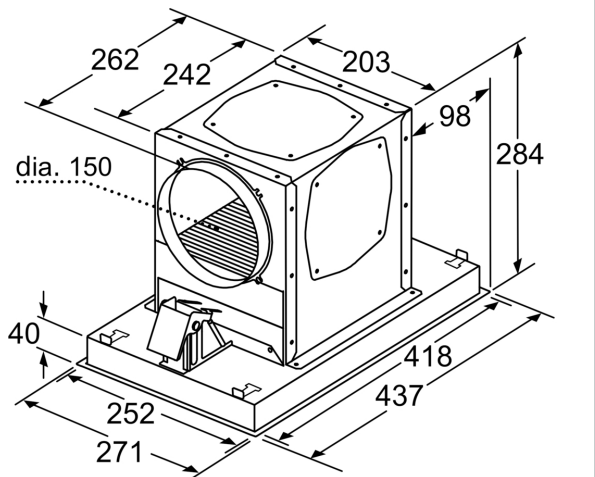


A: Optimum performance 700-1500
B: From upper edge of pan support

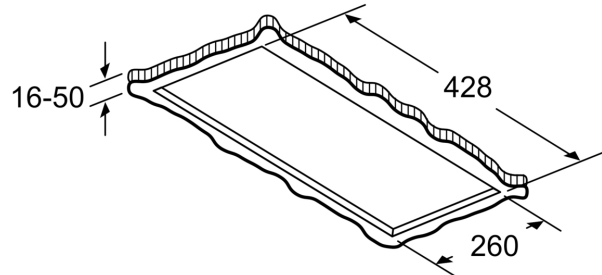
measurements in mm
Air recirculation



A: Optimum performance 700-1500
B: From upper edge of pan support



measurements in mm



measurements in mm