

BACK PANEL
Z5865N0

- ✓ Stainless steel back panel 600 mm
- ✓ 62.3

Features

Technical Data

Dimensions of the packed product (HxWxD):30x841x623 mm
Pallet dimensions: 100.0 x 80.0 x 120.0
Standard number of units per pallet: 30
Net weight: 4.8 kg
Gross weight: 6.2 kg
EAN code:4242004138235



BACK PANEL
Z5865N0

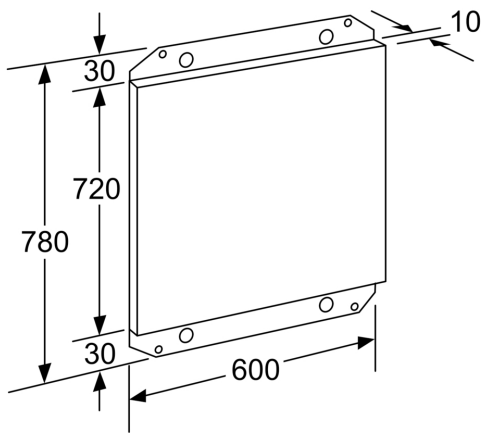
Features

Optional accessories

- Stainless steel back panel 600 mm
- 62.3

BACK PANEL
Z5865N0

Dimensioned drawings



Measurements in mm