

FLAT DUCT, 90 °, VERTICAL S
Z861SB4



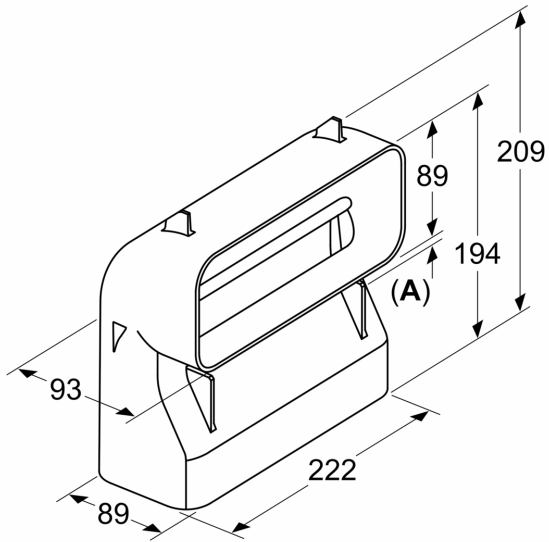
- ✓ Vertical 90° bow with very small radius for ductings within the furniture (from on 60cm worktop depth)
- ✓ 90° flat duct bend element (male) in vertical configuration with small radius
- ✓ Aerodynamically optimised design to minimise pressure loss and maximise air flow rate. Easy-to-cut & easy-to-connect via the female connector sleeve element.
- ✓ The element complies with the Needle Flame Test (according to IEC 60695-11-5) & the V2 flammability class (according to UL94).

Dimensions of the packed product (HxWxD): . 115 x 230 x 220 mm
Pallet dimensions: 210.0 x 80.0 x 120.0
Standard number of units per pallet: 180
Net weight: 0.3 kg
Gross weight: 0.5 kg
EAN code: 4242004258650



FLAT DUCT, 90 °, VERTICAL S
Z861SB4

measurements in mm



A: 13.5